

Trusted. Tested. Tough.®



SECTION: 2.35.010
FM2811
0226
Supersedes
0124

MAIL TO: P.O. BOX 16347 • Louisville, KY 40256-0347
SHIP TO: 3649 Cane Run Road • Louisville, KY 40211-1961
Tel: (502) 778-2731 • 1 (800) 928-PUMP

Visit our website:
zoellerpumps.com

Product information presented here reflects conditions at time of publication. Consult factory regarding discrepancies or inconsistencies.

TECHNICAL DATA SHEET

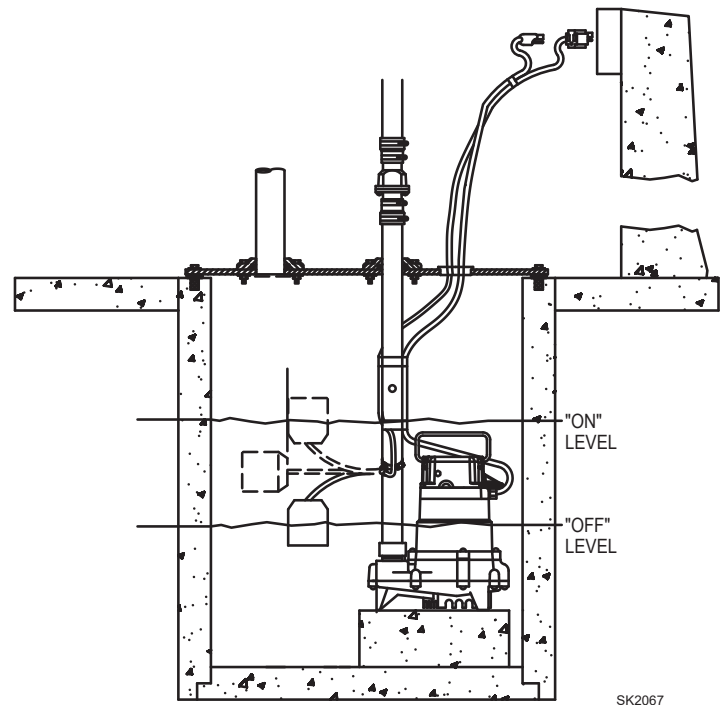
2000 HIGH-TEMPERATURE SERIES

Models 2057, 2098, 2137, 2282 Submersible Dewatering Pumps

Intermittent use up to 200 °F (93 °C).

PUMP SPECIFICATIONS

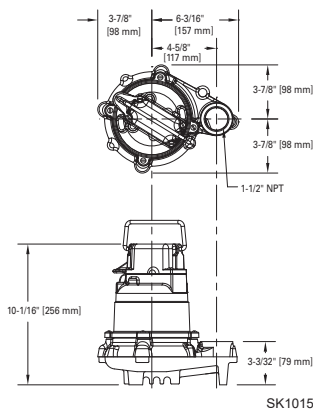
MOTOR	Horse Power	3/10- 1/2
	Voltage	115 or 230
	Phase	1 Ph
	Hertz	60
	RPM	1725
	Amps	4.7 - 10.7
PUMP	Operation	Automatic
	Auto On / Off	Varies based on package
	Discharge Size	1-1/2" - 3"
	Cord Length	15' (5 m) automatic models
	Cord Type	16-3 SJOW or SJOOW cord
	Max. Operating Temp.	200 °F (93 °C)
	Cooling	Oil filled
Motor Protection	High-temperature thermal overload	
MATERIALS	Motor Housing	Cast iron
	Pump Housing	Cast iron
	Base	Cast iron
	Upper Bearing	Varies based on package
	Lower Bearing	Varies based on package
	Mechanical Seals	Carbon and NI-resist
	Impeller Type	Non-clogging vortex
	Impeller	Cast iron
	Hardware	Stainless steel
	Motor Shaft	AISI cold rolled steel
Gasket	Neoprene	



SK2067

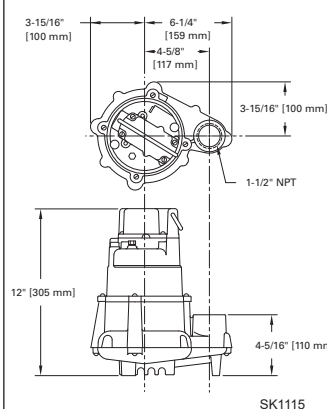


MODEL 2057



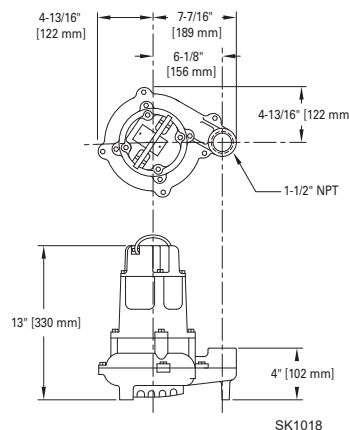
SK1015

MODEL 2098



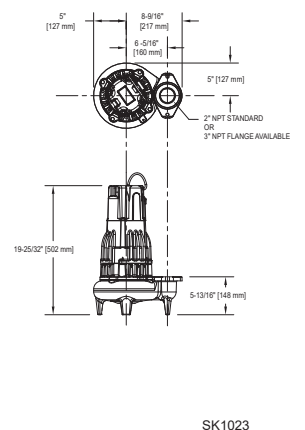
SK1115

MODEL 2137



SK1018

MODEL 2282



SK1023

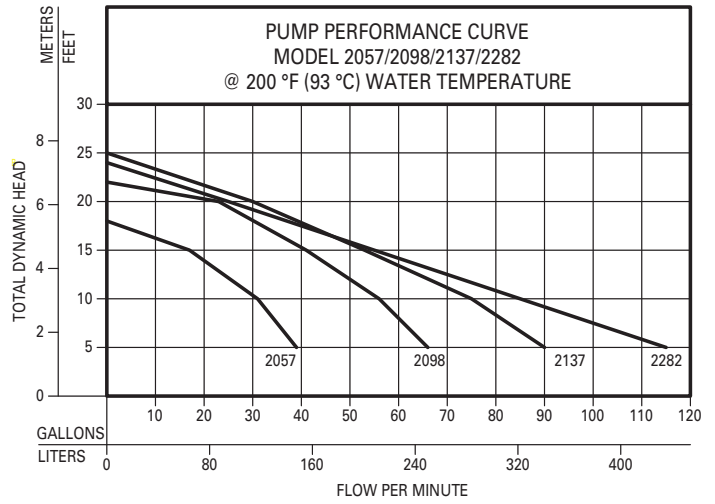
© Copyright 2026 Zoeller® Co. All rights reserved.

502-778-2731 | 800-928-7867 | 3649 Cane Run Road | Louisville, KY 40211-1961 | zoellerpumps.com

TOTAL DYNAMIC HEAD FLOW PER MINUTE

MODEL		2057		2098		2137		2282	
Feet	Meters	Gal.	Liters	Gal.	Liters	Gal.	Liters	Gal.	Liters
5	1.5	39	148	66	250	90	341	115	435
10	3.0	31	117	56	212	75	284	85	322
15	4.6	17	64	41	155	53	201	55	208
20	6.1	--	--	23	87	30	114	25	95
Shut-off Head:		18 ft.(5.5m)		22 ft.(6.7m)		25 ft.(7.6m)		24 ft.(7.3m)	

- 10' (3 m) cord, high temperature, adjustable, float-operated, mechanical switch mounts directly to the discharge pipe (BN & BE Models)
- Adjustable float switch is not intended for continuous contact with 200 °F (93 °C) water



009789

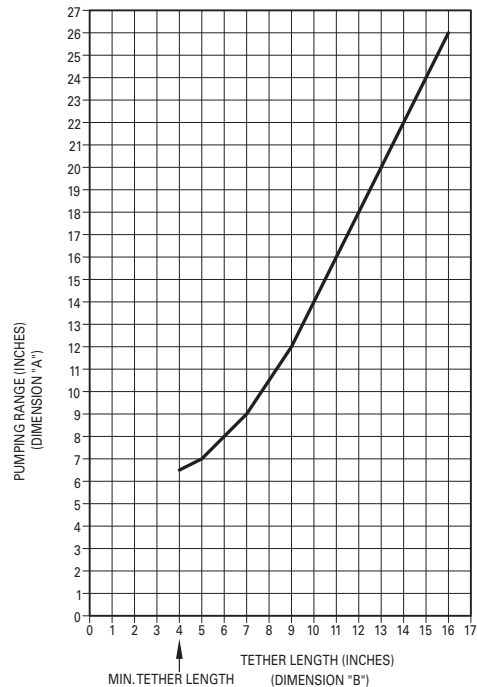
MODEL COMPARISON								
Model	Mode	Volts	Ph	Amps	HP	Hz	Lbs	Kg
BN2057	Auto	115	1	9.7	3/10	60	28	13
BN2098	Auto	115	1	9.4	1/2	60	39	18
BE2098	Auto	230	1	4.7	1/2	60	39	18
BN2137	Auto	115	1	10.7	1/2	60	46	21
BE2137	Auto	230	1	5.8	1/2	60	46	21
BN2282	Auto	115	1	10.3	1/2	60	84	38
BE2282	Auto	230	1	5.0	1/2	60	84	38

SWITCH DATA

- 16-gauge, 2 conductor SOOW switch cordage
- Float housing constructed of high-impact ABS
- 13 AMPS (max) steady state
- Intermittent, direct contact with up to 200 °F (93 °C) water
- Turbulence-resistant float switch
- Adjustable pumping range (see chart)
- Unlimited, repetitive exposures are permissible for applications below 180 °F (82 °C)

Tether "B"	Range "A"
4" (10.2 cm)	6.5" (16.5 cm)
6" (15.2 cm)	8" (20.3 cm)
8" (20.3 cm)	10.5" (26.7 cm)
10" (25.4 cm)	14" (35.6 cm)
12" (30.5 cm)	18" (45.7 cm)
14" (35.6 cm)	22" (55.9 cm)
16" (40.6 cm)	26" (66.0 cm)

SK2175B



SK2175A

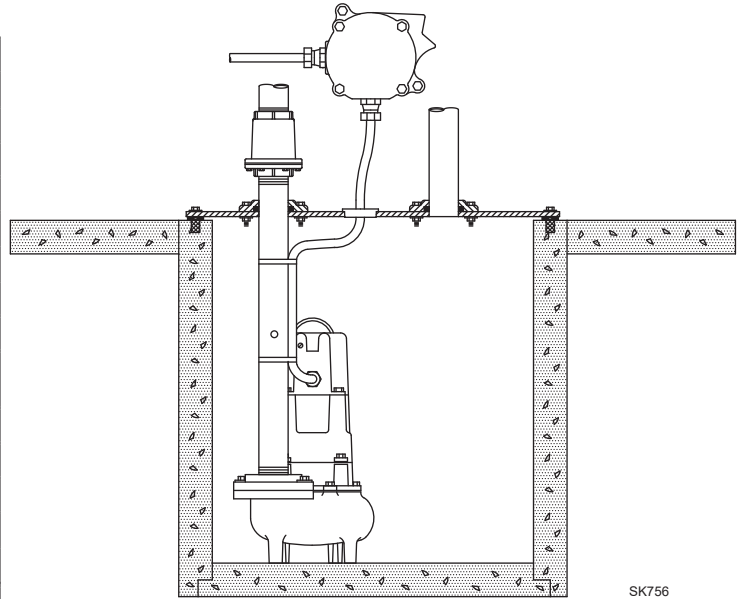


TECHNICAL DATA SHEET 3000 HIGH-TEMPERATURE SERIES

Models 3098, 3137, 3139, 3282 Submersible Dewatering Pumps
Continuous contact up to 200 °F (93 °C).

PUMP SPECIFICATIONS

MOTOR	Horse Power	1/2
	Voltage	115 or 230
	Phase	1 Ph
	Hertz	60
	RPM	1725 or 3450
	Amps	4.7 - 15.5
PUMP	Operation	Automatic or nonautomatic
	Auto On / Off	Varies based on package
	Discharge Size	1-1/2" - 3"
	Conduit Length	3' (1 m) automatic models 6' (2 m) nonautomatic models
	Cord Length	15' automatic models (3098, 3137, 3282)
	Cord Type	16-3 SOOW cord
	Max. Operating Temp.	200 °F (93 °C)
	Cooling	Oil filled
	Motor Protection	High-temperature thermal overload
MATERIALS	Motor Housing	Cast iron
	Pump Housing	Cast iron
	Base	Cast iron
	Upper Bearing	Vary based on package
	Lower Bearing	Vary based on package
	Mechanical Seals	Carbon and NI-resist w/ Viton® elastomers
	Impeller Type	Non-clogging vortex
	Impeller	Cast iron or bronze
	Hardware	Stainless steel
	Motor Shaft	AISI cold rolled steel
	Gasket	High-temperature Viton®



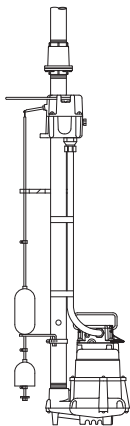
Nonautomatic model shown

CAUTION: Check valves used in high-temperature service must be all metal type check valves. The basin material must be able to withstand the sustained elevated temperature anticipated.

- High temperature liquid-tight conduit used with high temperature cable
- High temperature motor windings
- High temperature Viton® gaskets
- High temperature thermal overload protected
- Float operated mechanical switch box which is mounted on the discharge pipe above the operating level (Switch box is not intended to come in continuous contact with 200 °F [93 °C] water)

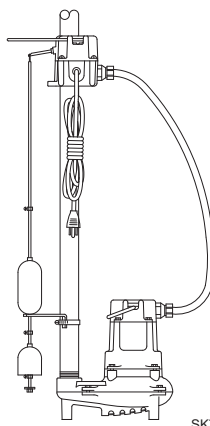


MODEL 3098



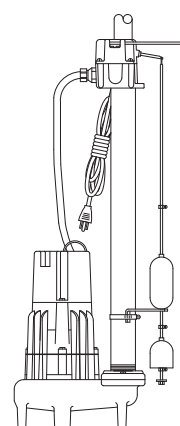
SK754

MODEL 3137



SK738

MODEL 3282

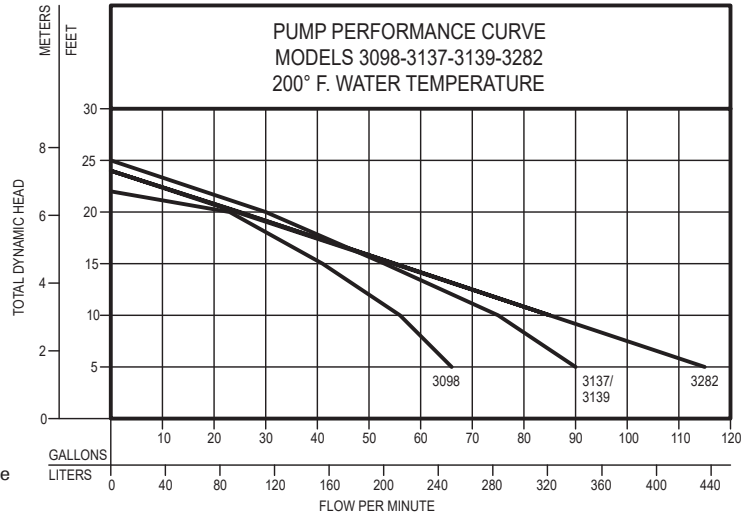


SK2170

TOTAL DYNAMIC HEAD FLOW PER MINUTE

MODEL		3098		3137/3139		3282	
Feet	Meters	Gal.	Liters	Gal.	Liters	Gal.	Liters
5	1.5	66	250	90	341	115	435
10	3.0	56	212	75	284	85	322
15	4.6	41	155	53	201	55	208
20	6.1	23	87	30	114	25	95
Shut-off Head:		21 ft.(6.4m)		25 ft.(7.6m)		24 ft.(7.3m)	

009789



NOTES:

1. Cable from disconnect to control box (customer furnished) should be rated 221 °F (105 °C).
2. Nonautomatic models available with 6' (1.8 m) of High Temperature liquid-tight conduit cable [200 °F (93 °C)] and a watertight junction box for outdoor or above the waterline installation.
3. The maximum "On" levels can be extended for automatic pumps by adding additional cord and conduit length. Float rods are extended in 1' (0.3 m) increments. Order an extender kit P/N 10-0656 for each additional foot (0.3 m) of length desired.

⚠ CAUTION Check valves used in High Temperature service must be all metal swing type check valves.

⚠ CAUTION The basin material must be able to withstand the sustained, elevated temperature anticipated.

MODEL COMPARISON								
Model	Mode	Volts	Ph	Amps	HP	Hz	Lbs	Kg
M3098	Auto	115	1	9.4	1/2	60	52	24
N3098	Non	115	1	9.4	1/2	60	49	22
D3098	Auto	230	1	4.7	1/2	60	52	24
E3098	Non	230	1	4.7	1/2	60	49	22
M3137	Auto	115	1	10.7	1/2	60	57	26
N3137	Non	115	1	10.7	1/2	60	53	24
D3137	Auto	230	1	5.8	1/2	60	57	26
E3137	Non	230	1	5.8	1/2	60	53	24
M3139	Auto	115	1	10.7	1/2	60	60	27
N3139	Non	115	1	10.7	1/2	60	56	25
D3139	Auto	230	1	5.8	1/2	60	60	27
E3139	Non	230	1	5.8	1/2	60	56	25
M3282	Auto	115	1	10.3	1/2	60	90	41
N3282	Non	115	1	10.3	1/2	60	86	39
D3282	Auto	230	1	5.0	1/2	60	90	41
E3282	Non	230	1	5.0	1/2	60	86	39

NOTE: Model 3139 all bronze construction

⚠ CAUTION All installation of controls, protection devices and wiring should be done by a qualified licensed electrician. All electrical and safety codes should be followed including the most recent National Electrical Code (NEC) and the Occupational Safety and Health Act (OSHA).