

MAIL TO: P.O. BOX 16347 • Louisville, KY 40256-0347
SHIP TO: 3649 Cane Run Road • Louisville, KY 40211-1961
Tel: (502) 778-2731 • 1 (800) 928-PUMP

Visit our website:
zoellerpumps.com

Product information presented here reflects conditions at time of publication. Consult factory regarding discrepancies or inconsistencies.

REPLACEMENT PARTS LIST FOR MODELS:

D186 AUTOMATIC 230V

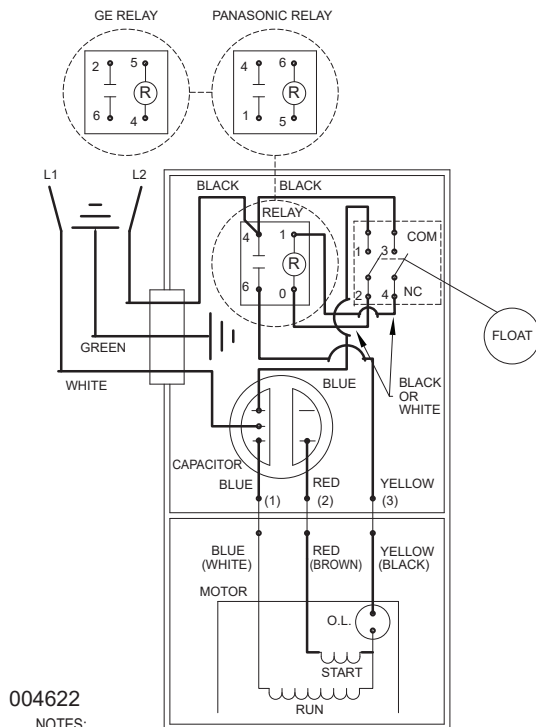
E186 NONAUTOMATIC 230V

Consult factory for all others models

TO ORDER REPLACEMENT PARTS:

PLEASE FURNISH THE FOLLOWING INFORMATION:

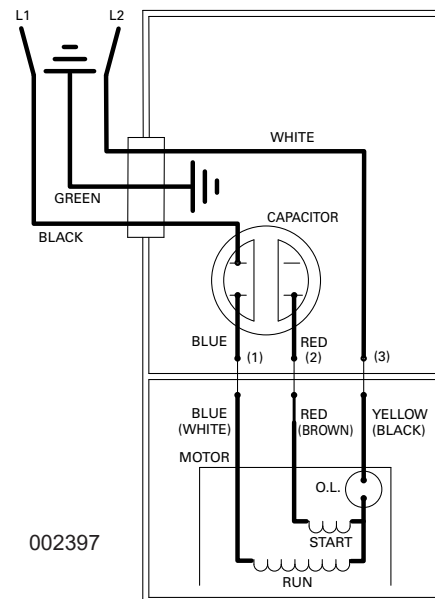
- Model Number.
- Part Number of Pump.
(If manufactured prior to June 1988, give 2 letter date code following Model No.)
- Part Number and Description of part.



NOTES:

- 1) INSULATORS REQUIRED ON GE RELAY TERMINALS 2 & 5;
OMRON RELAY TERMINALS 1 & 4.

WIRING DIAGRAM FOR MODELS
"D186" All Revisions
7/89 thru Current



WIRING DIAGRAM FOR MODELS
"E186" All Revisions
7/89 thru Current

REPLACEMENT PARTS LIST FOR MODELS "D186"

See back page for "D186" illustration.

REF. NO.	DESCRIPTION	QTY	NOTES	MODELS: D186-A						
				D186-B	D186-C	D186-D	D186-E	D186-F		
				7/89 thru 1/91	2/91 thru 4/03	5/03 thru 5/08	6/08 thru 1/16	2/16 thru 2/25	2/25 thru Current	
1	CASE SW & CORD	1	2,3	004748	004754	014167	014167	014167	014167	
2	• HANDLE	1		217069	217069	217069	217069	217069	217069	
3	CORD TERM & SEAL	1	3	002429	004374	014174	014174	014174	014174	
4	• STRAIN RELIEF	1	3	001770	NA	013764	013764	013764	013764	
5	• SEAL, CORD-ASM & STRAINRELIEF	1	3	094032	004375	015634	015634	015634	015634	
6	CASE	1	3	004614	004633	014154	014154	014154	014154	
7	• GUARD	1		001023	001023	001023	001023	001023	001023	
8	• ARM & SEAL ASM	1	2	004745	004745	004745	004745	004745	004745	
9	• GASKET, CASE/COVER	1		001011	001011	001011	001011	001011	001011	
10	SWITCH ASM	1	2	004744	004744	004744	004744	004744	004744	
11	• WIRE PKG (5) WIRES	1		004751	004751	004751	004751	004751	004751	
12	CAPACITOR & CLAMP ASM	1		006135	006135	006135	006135	006135	006135	
13	RELAY	1		217093	217093	217093	217093	153833	153833	
14	FLOAT, PLASTIC	1		094039	094039	094039	094039	094039	094039	
15	GUIDE ASM, FLT ROD	1		001072	001072	001072	001072	001072	001072	
16	ROD ASM, FLT	1		003083	003083	003083	150439	150439	158668	
17	HOUSING, MTR-&STR	1	1	004993	004993	004993	019233	019233	019233	
18	BEARING, UPPER SLEEVE	1		001012	001012	001012	NA	NA	NA	
	• BEARING, UPPER BALL			NA	NA	NA	006703	006703	006703	
19	• PLUG, TEST-WHITE	2		034090	034090	034090	034090	034090	034090	
20	• SEAL, THRU WALL TERM	3		003402	003402	003402	003402	003402	003402	
21	ROTOR & BRG	1		004994	004994	004994	019225	019225	019225	
22	• BEARING, RADIAL	1		001013	001013	001013	010069	010069	010069	
23	• SEAL, MTR HSG	1		001014	001014	001014	001014	001014	001014	
24	• OIL,DIELECTRIC	1		002383	002383	003168	011066	011066	011066	
25	ADAPTER-MACH	1		001003	001003	001003	001003	001003	001003	
26	• SEAL, SHAFT	1		002430	002430	002430	002430	002430	002430	
	FLANGE PKG 2" NPT	1		10-1305	10-1305	10-1305	10-1305	10-1305	10-1305	
	FLANGE PKG 3" NPT	1		10-1306	10-1306	10-1306	10-1306	10-1306	10-1306	
28	IMPELLER "186" BRONZE	1		004207	004207	004207	004207	004207	004207	
	IMPELLER "186" CAST IRON			NA	NA	NA	NA	157833	157833	
29	HOUSING, PUMP-MACH	1		004214	004214	004214	004214	004214	158895	
30	STRAINER PLATE	1		137008	137008	137008	137008	137008	137008	
31	• SCREW, .25-20 X .75 HHM-SS	4		001916	001916	001916	001916	001916	001916	
32	• SCREW, .313-18 X 1"HH CAP-SS	4		002608	002608	002608	002608	002608	002608	
33	• SCREW, #10-24 X.375 RHM-SL SS	2		001883	001883	001883	001883	001883	001883	
34	• SCREW, #6-32X.438RHS LTP"1"STLZI	2		004644	004644	004644	004644	004644	004644	
35	• SEM, 10-24X.375HH-SL TC.688WASH	2		002000	002000	002000	002000	002000	002000	
36	• WASHER, SS-1.25"ODX.562"IDX.078	2		002115	002115	002115	002115	002115	002115	
37	• SCREW, .5-13 X 2 HH CAP-SS	2		001909	001909	001909	001909	001909	001909	
38	• SCREW, #6-32X.25RHM SL TC STLGR	5		001877	001877	001877	001877	001877	001877	
39	• SCREW, .25-20 X 1" HHM-SS	4		007790	007790	007790	007790	007790	007790	
α	REBUILD KIT			004753	004753	016103	019647	019647	019647	

• Items included in Rebuild Kit.

α Not shown in illustration.

NOTES:

- 1) Mtr. Hsg., Brg., Stator & Term. (Item 17) is preassembled at the factory and must be replaced as a unit. Stator is permanently attached to the Motor Housing. Plug (Item 19); Seal, Thru Wall Term. (Item 20) and Bearing - Upper (Item 18) are replaceable.
- 2) When ordering these parts, customer must identify if switch is a General Electric switch.
- 3) If an "X" follows Model No., or Date Mfg. on brass ID tag, consult factory for ordering of this part.
- 4) See FM0160 Parts Price Sheet for listing of parts prices.
- 5) "NA" indicates, not applicable.

REPLACEMENT PARTS LIST FOR MODELS "E186"

See back page for "E186" illustration.

REF. NO.	DESCRIPTION	QTY	NOTES	MODELS: E186-A			
				E186-A	E186-B	E186-C	E186-D
				7/89 thru 1/91	2/91 thru 4/03	5/03 thru 5/08	6/08 thru Current
1	• HANDLE	1		217069	217069	217069	217069
2	COVER & CORD	1	2	002401	004097	014163	014163
3	CORD TERM & SEAL	1	2	002402	004376	014176	014176
4	CLAMP, STRAIN RELIEF	1	2	001770	NA	013764	013764
5	• SEAL, CORD ASM & STR RLF	1	2	094032	004375	015634	015634
6	COVER-MACH	1	2	001077	004372	014150	014150
7	• GASKET, CASE/COVER	1		001011	001011	001011	001011
8	• WIRE PKG (5) WIRES	1		004751	004751	004751	004751
9	• CAPACITOR & CLAMP ASM	1		006135	006135	006135	006135
10	HOUSING, MTR & STR	1	1	004993	004993	004993	019233
11	BEARING, UPPER SLEEVE	1		001012	001012	001012	NA
	• BEARING, UPPER BALL			NA	NA	NA	006703
12	• PLUG, TEST-WHITE	2		034090	034090	034090	034090
13	• SEAL, THRU WALL TERM	3		003402	003402	003402	003402
14	ROTOR & BRG	1		004994	004994	004994	019225
15	• BEARING, RADIAL	1		001013	001013	001013	010069
16	• SEAL, MTR HSG	1		001014	001014	001014	001014
17	• OIL, DIELECTRIC	1		002383	002383	003168	011066
18	ADAPTER-MACH	1		001003	001003	001003	001003
19	• SEAL, SHAFT	1		002430	002430	002430	002430
20	FLANGE PKG 2" NPT	1		10-1305	10-1305	10-1305	10-1305
	FLANGE PKG 3" NPT	1		10-1306	10-1306	10-1306	10-1306
21	IMPELLER "186" BRONZE	1		004207	004207	004207	004207
	IMPELLER "186" CAST IRON			NA	NA	NA	157833
22	HOUSING, PUMP-MACH	1		004214	004214	004214	004214
23	STRAINER PLATE	1		137008	137008	137008	137008
24	• SCREW, .25-20 X .75 HHM-SS	4		001916	001916	001916	001916
25	• SCREW, .313-18 X 1" HH CAP-SS	4		002608	002608	002608	002608
26	• SCREW, #10-24 X.375 RHM-SL SS	2		001883	001883	001883	001883
27	• SEM, 10-24X.375HH-SL TC.688 WASH	2		002000	002000	002000	002000
28	• SCREW, .5-13 X 2 HH CAP-SS	2		001909	001909	001909	001909
29	• WASHER, SS-1.25" ODX.562" IDX.078	2		002115	002115	002115	002115
30	• SCREW, #6-32X.25RHM SL TC STLGR	4		001877	001877	001877	001877
31	• SCREW, .25-20X1" HHM-SS	4		007790	007790	007790	007790
□	REBUILD KIT			004747	004747	014193	019648

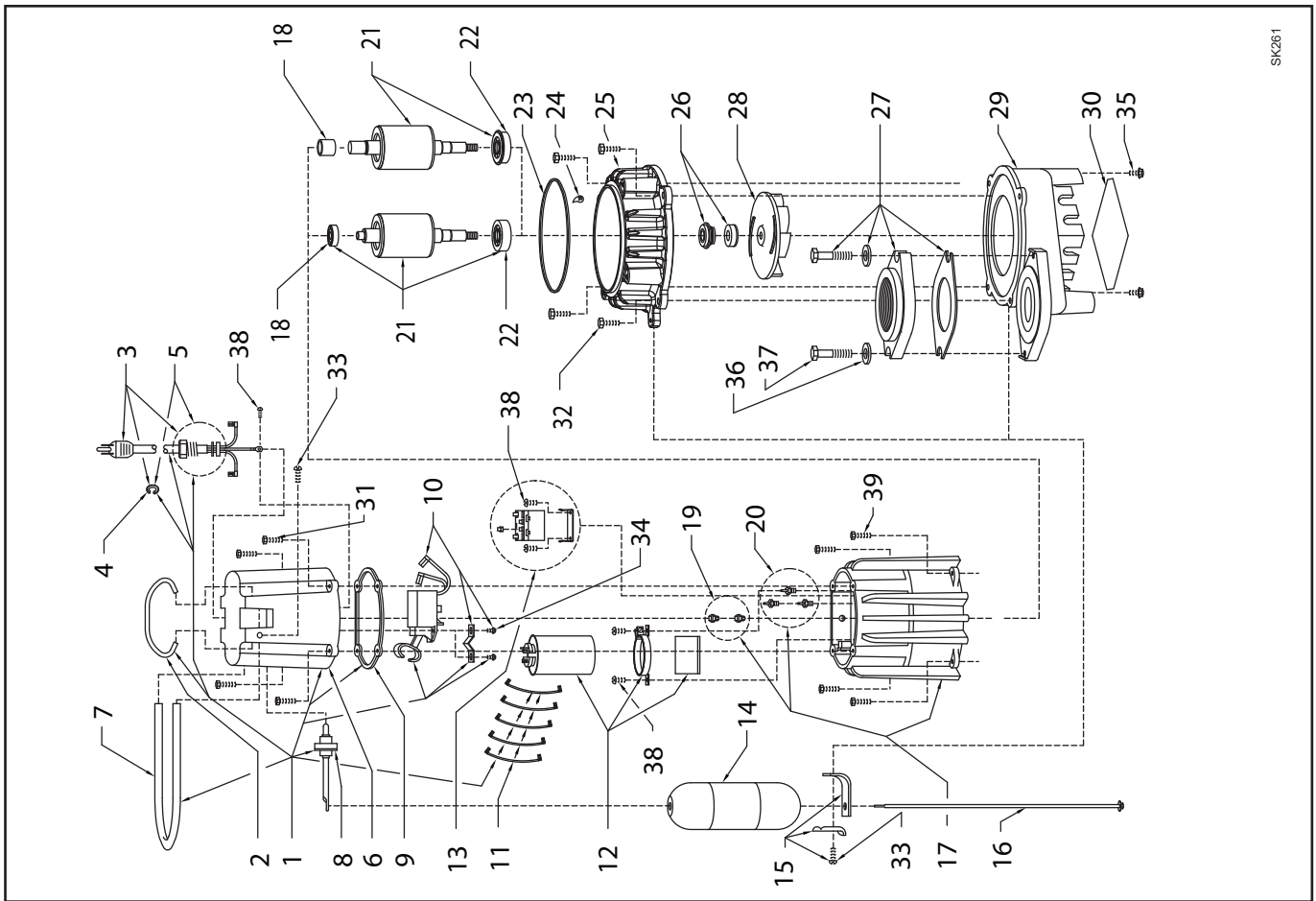
• Items included in Rebuild Kit.

□ Not shown in illustration.

NOTES:

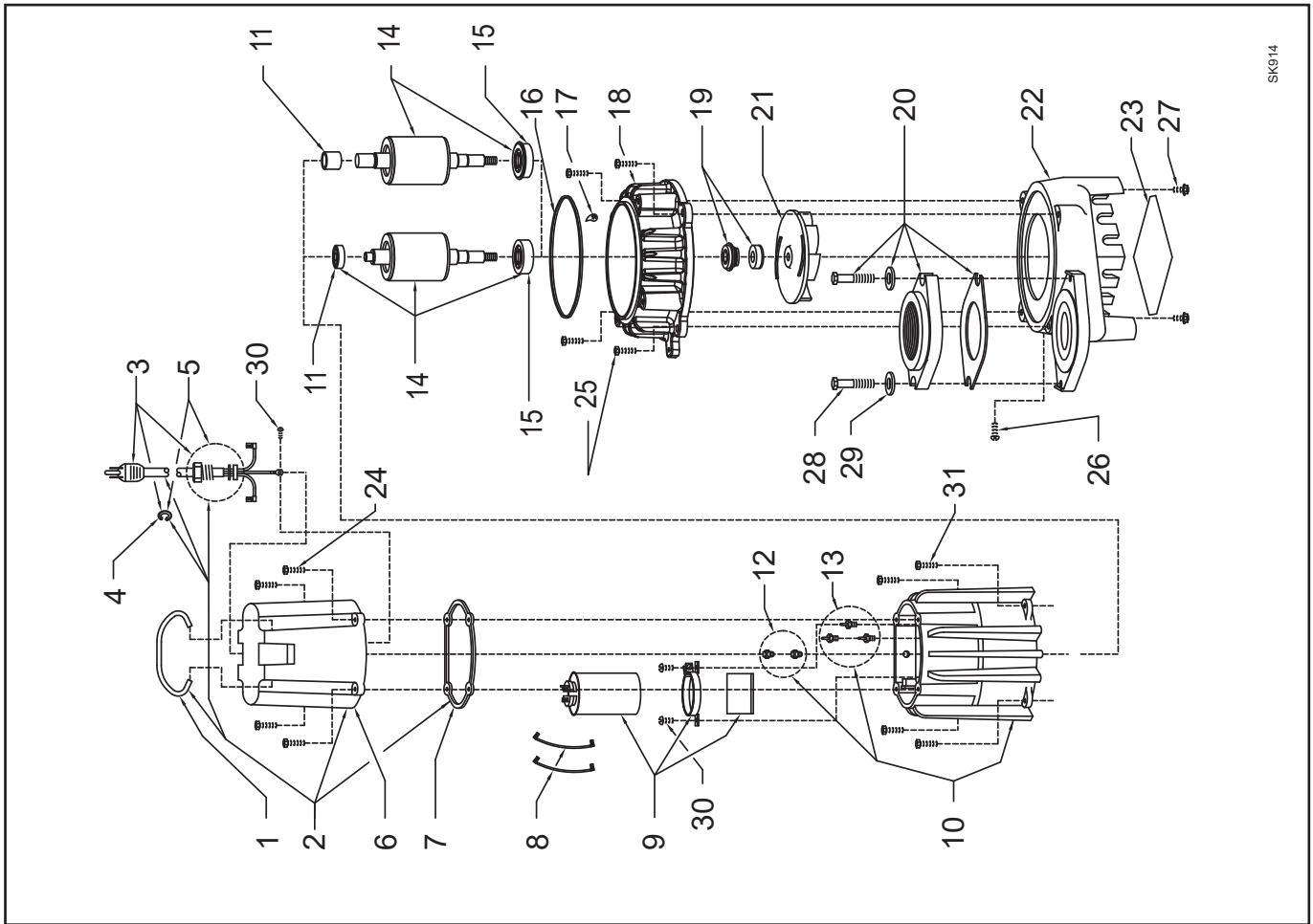
- 1) Mtr. Hsg., Brg., Stator & Term. (Item 10) is preassembled at the factory and must be replaced as a unit. Stator is permanently attached to the Motor Housing. Plug (Item 12); Seal, Thru Wall Term. (Item 13) and Bearing - Upper (Item 11) are replaceable.
- 2) If an "X" follows Model No., or Date Mfg. on brass ID tag, consult factory for ordering of this part.
- 3) See FM0160 Parts Price Sheet for listing of parts prices.
- 4) "NA" indicates, not applicable.

REPLACEMENT PARTS ILLUSTRATION FOR MODEL "D186"



SK261

REPLACEMENT PARTS ILLUSTRATION FOR MODEL "E186"



SK914