

MAIL TO: P.O. BOX 16347 • Louisville, KY 40256-0347
SHIP TO: 3649 Cane Run Road • Louisville, KY 40211-1961
Tel: (502) 778-2731 • 1 (800) 928-PUMP

Visit our website:
zoellerpumps.com

Product information presented here reflects conditions at time of publication. Consult factory regarding discrepancies or inconsistencies.

REPLACEMENT PARTS LIST FOR MODELS:

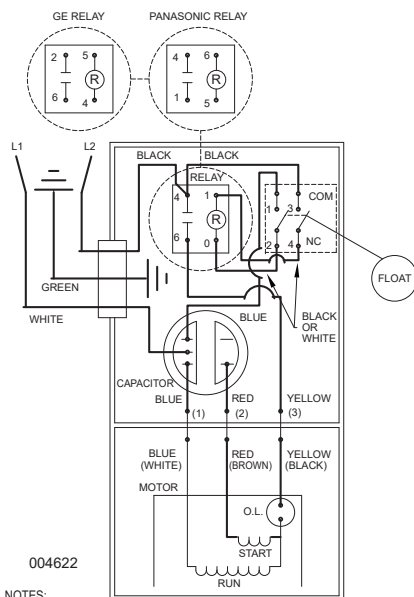
- M292 AUTOMATIC 115V/1PH
- N292 NONAUTOMATIC 115V/1PH
- D292 AUTOMATIC 230V/1PH
- E292 NONAUTOMATIC 230V/1PH
- J292 NONAUTOMATIC 200V/3PH
- F292 NONAUTOMATIC 230V/3PH
- G292 NONAUTOMATIC 460V/3PH
- H292 AUTOMATIC 200V/1PH
- I292 NONAUTOMATIC 200V/1PH

Obsolete Models	Auto/Non	Volts	PH	Obsolete Date
BA292	Nonautomatic	575	3PH	4/22/2024

Consult factory for all other models

TO ORDER REPLACEMENT PARTS
PLEASE FURNISH THE FOLLOWING INFORMATION:

- Model number
- Part number of pump
(If manufactured prior to June 1988, give 2 letter date code following Model No.)
- Part number and description of part

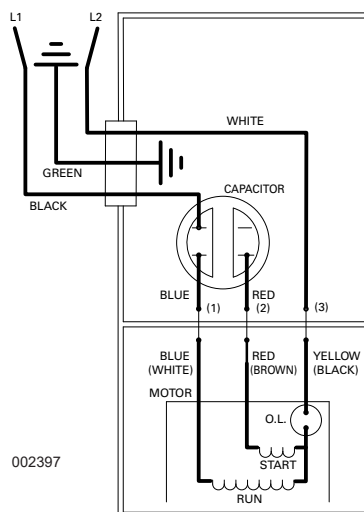


004622

NOTES:

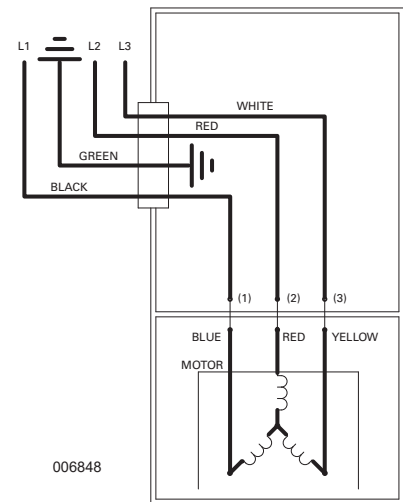
- 1) INSULATORS REQUIRED ON GE RELAY TERMINALS 2 & 5;
OMRON RELAY TERMINALS 1 & 4.
PANASONIC RELAY TERMINALS 6 & 4.

WIRING DIAGRAM FOR MODELS
"M292", "D292" and "H292" All Revisions
1/87 thru Current



002397

WIRING DIAGRAM FOR MODELS
"N292", "E292" & "I292" All Revisions
1/87 thru Current



006848

WIRING DIAGRAM FOR MODELS
"J292", "F292", "G292" & "BA292"
All Revisions

REPLACEMENT PARTS LIST FOR MODEL "M292"

See page 7 for illustration.

REF. NO.	DESCRIPTION	QTY	NOTES	MODELS: M292-A M292-B M292-C M292-D M292-E M292-F M292-G M292-H								
				1/87 MT thru 8/90	9/90 thru 10/98	11/98 thru 4/03	5/03 thru 11/09	12/09 thru 1/16	2/16 thru 5/16	6/16 thru 2/25	2/25 thru Current	
1	CASE, SW. & CORD	1	2	004746	006292	006292	014155	014155	014155	014155	014155	014155
2	• GUARD	1		001023	001023	001023	001023	001023	001023	001023	001023	001023
3	CASE-MACH	1	2	004614	004633	004633	014154	014154	014154	014154	014154	014154
4	• ARM & SEAL ASM	1		004745	004745	004745	004745	004745	004745	004745	004745	004745
5	• GASKET, CASE/COVER	1		001011	001011	001011	001011	001011	001011	001011	001011	001011
6	SWITCH ASM	1		004744	004744	004744	004744	004744	004744	004744	004744	004744
7	• WIRE PKG (5) WIRES	1		004749	004749	004749	004749	004749	004749	004749	004749	004749
8	RELAY	1		217092	217092	217092	217092	217092	153832	153832	153832	153832
9	CAPACITOR & CLAMP ASM	1		003575	003575	003575	003575	003575	003575	003575	003575	003575
10	FLOAT, PLASTIC	1		094039	094039	094039	094039	094039	094039	094039	094039	094039
11	GUIDE ASM, FLT ROD	1		001072	001072	001072	001072	001072	001072	001072	001072	001072
12	ROD ASM, FLT	1		001043	001043	001043	001043	150438	150438	150438	158668	158668
13	HOUSING, MTR-& STR	1	1,3	002497	002497	002497	002497	150580	150580	150580	150580	150580
14	BEARING, SLEEVE	1		001012	001012	001012	001012	NA	NA	NA	NA	NA
	• BEARING, RADIAL		NA	NA	NA	NA	006703	006703	006703	006703	006703	
15	• HANDLE	1		217069	217069	217069	217069	217069	217069	217069	217069	217069
16	CORD, TERM & SEAL ASM	1	2	002507	006290	006290	014168	014168	014168	014168	014168	014168
17	CLAMP, STRAIN RELIEF	1	2	001770	NA	NA	013764	013764	013764	013764	013764	013764
18	• SEAL, CORD-ASM & STRAIN RELIEF	1	2	094032	004375	004375	015634	015634	015634	015634	015634	015634
19	• PLUG, TEST-WHITE	2		034090	034090	034090	034090	034090	034090	034090	034090	034090
20	• SEAL, THRU WALL TERM	3		003402	003402	003402	003402	003402	003402	003402	003402	003402
21	ROTOR & BRG	1		002701	002701	002701	002701	150574	150574	150574	150574	150574
22	• BEARING, RADIAL	1	3	001013	001013	001013	001013	010069	010069	010069	010069	010069
23	• SEAL, MTR HSG	1		001014	001014	001014	001014	001014	001014	001014	001014	001014
24	• OIL, DIELECTRIC	1		002383	002383	002383	003168	011066	011066	011066	011066	011066
25	ADAPTER-MACH	1		001003	001003	001003	001003	001003	001003	001003	001003	001003
26	• SEAL, SHAFT	1		002430	002430	002430	002430	002430	002430	002430	002430	002430
27	FLANGE PKG 2" NPT	1		10-1305	10-1305	10-1305	10-1305	10-1305	10-1305	10-1305	10-1305	10-1305
	FLANGE PKG 3" NPT	1		10-1306	10-1306	10-1306	10-1306	10-1306	10-1306	10-1306	10-1306	10-1306
28	IMPELLER "292" BRONZE	1		005188	005188	005188	005188	005188	005188	005188	005188	005188
	IMPELLER "292" CAST IRON		NA	NA	NA	NA	NA	NA	153997	153997		
29	HOUSING,PUMP-MACH	1		001005	001005	001005	001005	001005	001005	001005	158241	158241
30	• SCREW, #10-24 X.375 RHM-SL SS	2		001883	001883	001883	001883	001883	001883	001883	001883	001883
31	• SCREW, #6-32X.25RHM SL TC STLGR	5		001877	001877	001877	001877	001877	001877	001877	001877	001877
32	• SCREW, .25-20 X .75 HHM-SS	4		001916	001916	001916	001916	001916	001916	001916	001916	001916
33	• SCREW, #6-32X.438 RHSLTP STLZI	2		004644	004644	004644	004644	004644	004644	004644	004644	004644
34	• SCREW, .5-13 X 2 HH CAP-SS	2		001909	001909	001909	001909	001909	001909	001909	001909	001909
35	• WASHER, SS-1.25"ODX.562"IDX.078	2		002115	002115	002115	002115	002115	002115	002115	002115	002115
36	• SCREW, .313-18 X 1" HH CAP-SS	4		002608	002608	002608	002608	002608	002608	002608	002608	002608
37	• SCREW, .25-20X1" HHM-SS	4		007790	007790	007790	007790	007790	007790	007790	007790	007790
o	REBUILD KIT			004747	004747	004747	016103	019647	019647	019647	019647	019647

• Items included in Rebuild Kit. □ Not shown in illustration.

NOTES:

- 1) Mtr. Hsg., Brg., Stator & Term. (Item 13) is preassembled at the factory and must be replaced as a unit. Stator is permanently attached to the Motor Housing. Plug (Item 19); Seal, Thru Wall Term. (Item 20) and Bearing - Upper (Item 14) are replaceable.
- 2) If an "X" follows Model No., or Date Mfg. on ID tag, consult factory for ordering of this part.
- 3) When ordering specify either General Electric or Emerson motor.
- 4) See FM0160 Parts Price Sheet for listing of parts prices.
- 5) "NA" indicates, not applicable.

REPLACEMENT PARTS LIST FOR MODEL "D292"

See page 7 for illustration.

REF. NO.	DESCRIPTION	QTY	NOTES	MODELS: D292-A			
				D292-B	D292-C	D292-D	
				8/13 thru 1/16	2/16 thru 5/16	6/16 thru 2/25	2/25 thru Current
1	CASE, SW.& CORD	1	2	004748	004748	004748	004748
2	• GUARD	1		001023	001023	001023	001023
3	CASE-MACH	1	2	004614	004614	004614	004614
4	• ARM & SEAL ASM	1		004745	004745	004745	004745
5	• GASKET, CASE/COVER	1		001011	001011	001011	001011
6	SWITCH ASM	1		004744	004744	004744	004744
7	• WIRE PKG (5) WIRES	1		004749	004749	004749	004749
8	RELAY	1		217093	153833	153833	153833
9	CAPACITOR & CLAMP ASM	1		002381	002381	002381	002381
10	FLOAT, PLASTIC	1		094039	094039	094039	094039
11	GUIDE ASM, FLT ROD	1		001072	001072	001072	001072
12	ROD ASM, FLT	1		150438	150438	150438	158668
13	HOUSING, MTR-& STR	1	1,3	150582	150582	150582	150582
14	BEARING, SLEEVE	1		NA	NA	NA	NA
	• BEARING, RADIAL			006703	006703	006703	006703
15	• HANDLE	1		217069	217069	217069	217069
16	CORD, TERM & SEAL ASM	1	2	002429	002429	002429	002429
17	CLAMP, STRAIN RELIEF	1	2	001770	001770	001770	001770
18	• SEAL, CORD-ASM & STRAIN RELIEF	1	2	094032	094032	094032	094032
19	• PLUG, TEST-WHITE	2		034090	034090	034090	034090
20	• SEAL, THRU WALL TERM	3		003402	003402	003402	003402
21	ROTOR & BRG	1		150575	150575	150575	150575
22	• BEARING, RADIAL	1	3	010069	010069	010069	010069
23	• SEAL, MTR HSG	1		001014	001014	001014	001014
24	• OIL, DIELECTRIC	1		011066	011066	011066	011066
25	ADAPTER-MACH	1		001003	001003	001003	001003
26	• SEAL, SHAFT	1		002430	002430	002430	002430
27	FLANGE PKG 2" NPT	1		10-1305	10-1305	10-1305	10-1305
	FLANGE PKG 3" NPT	1		10-1306	10-1306	10-1306	10-1306
28	IMPELLER "292" BRONZE	1		005188	005188	005188	005188
	IMPELLER "292" CAST IRON			NA	NA	153997	153997
29	HOUSING,PUMP-MACH	1		001005	001005	001005	158241
30	• SCREW, #10-24 X.375 RHM-SL SS	2		001883	001883	001883	001883
31	• SCREW, #6-32X.25RHM SL TC STLGR	5		001877	001877	001877	001877
32	• SCREW, .25-20 X .75 HHM-SS	4		001916	001916	001916	001916
33	• SCREW, #6-32X.438 RHSLTP STLZI	2		004644	004644	004644	004644
34	• SCREW, .5-13 X 2 HH CAP-SS	2		001909	001909	001909	001909
35	• WASHER, SS-1.25"ODX.562"IDX.078	2		002115	002115	002115	002115
36	• SCREW, .313-18 X 1" HH CAP-SS	4		002608	002608	002608	002608
37	• SCREW, .25-20X1" HHM-SS	4		007790	007790	007790	007790
□	REBUILD KIT			019647	019647	019647	019647

• Items included in Rebuild Kit. □ Not shown in illustration.

NOTES:

- 1) Mtr. Hsg., Brg., Stator & Term. (Item 13) is preassembled at the factory and must be replaced as a unit. Stator is permanently attached to the Motor Housing. Plug (Item 19); Seal, Thru Wall Term. (Item 20) and Bearing - Upper (Item 14) are replaceable.
- 2) If an "X" follows Model No., or Date Mfg. on ID tag, consult factory for ordering of this part.
- 3) When ordering specify either General Electric or Emerson motor.
- 4) See FM0160 Parts Price Sheet for listing of parts prices.
- 5) "NA" indicates, not applicable.

REPLACEMENT PARTS LIST FOR MODEL "H292"

See page 7 for illustration.

REF. NO.	DESCRIPTION	QTY	NOTES	MODELS: H292-A			
				12/13 thru 1/16	2/16 thru 5/16	H292-B	H292-C
1	CASE, SW. & CORD	1	2	005383	005383	005383	005383
2	• GUARD	1		001023	001023	001023	001023
3	CASE-MACH	1	2	004614	004614	004614	004614
4	• ARM & SEAL ASM	1		004745	004745	004745	004745
5	• GASKET, CASE/COVER	1		001011	001011	001011	001011
6	SWITCH ASM	1		004744	004744	004744	004744
7	• WIRE PKG (5) WIRES	1		004749	004749	004749	004749
8	RELAY	1		217093	153833	153833	153833
9	CAPACITOR & CLAMP ASM	1		006135	006135	006135	006135
10	FLOAT, PLASTIC	1		094039	094039	094039	094039
11	GUIDE ASM, FLT ROD	1		001072	001072	001072	001072
12	ROD ASM, FLT	1		150438	150438	150438	158668
13	HOUSING, MTR- & STR	1	1,3	150581	150581	150581	150581
14	BEARING, SLEEVE	1		N/A	N/A	N/A	N/A
	• BEARING, RADIAL			006703	006703	006703	006703
15	• HANDLE	1		217069	217069	217069	217069
16	CORD, TERM & SEAL ASM	1	2	005384	005384	005384	005384
17	CLAMP, STRAIN RELIEF	1	2	001770	001770	001770	001770
18	• SEAL, CORD-ASM & STRAIN RELIEF	1	2	094032	094032	094032	094032
19	• PLUG, TEST-WHITE	2		034090	034090	034090	034090
20	• SEAL, THRU WALL TERM	3		003402	003402	003402	003402
21	ROTOR & BRG	1		150575	150575	150575	150575
22	• BEARING, RADIAL	1	3	010069	010069	010069	010069
23	• SEAL, MTR HSG	1		001014	001014	001014	001014
24	• OIL, DIELECTRIC	1		011066	011066	011066	011066
25	ADAPTER-MACH	1		001003	001003	001003	001003
26	• SEAL, SHAFT	1		002430	002430	002430	002430
27	FLANGE PKG 2" NPT	1		10-1305	10-1305	10-1305	10-1305
	FLANGE PKG 3" NPT	1		10-1306	10-1306	10-1306	10-1306
28	IMPELLER "292" BRONZE	1		005188	005188	005188	005188
	IMPELLER "292" CAST IRON			N/A	N/A	153997	153997
29	HOUSING,PUMP-MACH	1		001005	001005	001005	158241
30	• SCREW, #10-24 X.375 RHM-SL SS	2		001883	001883	001883	001883
31	• SCREW, #6-32X.25RHM SL TC STLGR	5		001877	001877	001877	001877
32	• SCREW, .25-20 X .75 HHM-SS	4		001916	001916	001916	001916
33	• SCREW, #6-32X.438 RHSLTP STLZI	2		004644	004644	004644	004644
34	• SCREW, .5-13 X 2 HH CAP-SS	2		001909	001909	001909	001909
35	• WASHER, SS-1.25"ODX.562"IDX.078	2		002115	002115	002115	002115
36	• SCREW, .313-18 X 1" HH CAP-SS	4		002608	002608	002608	002608
37	• SCREW, .25-20X1" HHM-SS	4		007790	007790	007790	007790
□	REBUILD KIT			019647	019647	019647	019647

• Items included in Rebuild Kit.

□ Not shown in illustration.

NOTES:

- 1) Mtr. Hsg., Brg., Stator & Term. (Item 13) is preassembled at the factory and must be replaced as a unit. Stator is permanently attached to the Motor Housing. Plug (Item 19); Seal, Thru Wall Term. (Item 20) and Bearing - Upper (Item 14) are replaceable.
- 2) If an "X" follows Model No., or Date Mfg. on ID tag, consult factory for ordering of this part.
- 3) When ordering specify either General Electric or Emerson motor.
- 4) See FM0160 Parts Price Sheet for listing of parts prices.
- 5) "NA" indicates, not applicable.

REPLACEMENT PARTS LIST FOR MODELS "N292", "E292" & "I292"

See page 8 for illustration.

REF. NO.	DESCRIPTION	QTY	NOTES	MODELS: N292-A							E292-A	E292-B	E292-C	I292-A	I292-B	I292-C		
				N292-B	N292-C	N292-D	N292-E	N292-F	N292-G	1/87 MT thru 8/90							9/90 thru 10/98	11/98 thru 4/03
1	HANDLE	1		217069	217069	217069	217069	217069	217069	217069	217069	217069	217069	217069	217069	217069	217069	
2	COVER & CORD	1	2	002499	006293	006293	014158	014158	014158	014158	014158	014158	014158	014158	014158	014158		
3	COVER-MACH	1	2	001077	004372	004372	014150	014150	014150	014150	014150	014150	014150	014150	014150	014150		
4	• GASKET, CASE/COVER	1		001011	001011	001011	001011	001011	001011	001011	001011	001011	001011	001011	001011	001011		
5	• WIRE PKG (5) WIRES	1		004749	004749	004749	004749	004749	004749	004749	004749	004749	004749	004749	004749	004749		
6	CAPACITOR & CLAMP ASM	1		003575	003575	003575	003575	003575	003575	003575	003575	003575	003575	003575	003575	003575		
7	HOUSING, MTR-& STR	1	1,5	002497	002497	002497	002497	150580	150580	150580	150580	150580	150580	150580	150580	150580		
8	BEARING, SLEEVE	1		001012	001012	001012	001012	NA	NA	NA	NA	NA	NA	NA	NA	NA		
	• BEARING, RADIAL	1		NA	NA	NA	NA	006703	006703	006703	006703	006703	006703	006703	006703	006703		
9	CORD TERM & SEAL ASM	1	2	002508	006291	006291	014169	014169	014169	014169	014169	014169	014169	014169	014169	014169		
10	CLAMP, STRAIN RELIEF	1	2	001770	NA	NA	013764	013764	013764	013764	013764	013764	013764	013764	013764	013764		
11	• SEAL, CORD-ASM & STRAIN RELIEF	1	2	094032	004375	004375	015634	015634	015634	015634	015634	015634	015634	015634	015634	015634		
12	• PLUG, TEST-WHITE	2		034090	034090	034090	034090	034090	034090	034090	034090	034090	034090	034090	034090	034090		
13	• SEAL, THRU WALL TERM	3		003402	003402	003402	003402	003402	003402	003402	003402	003402	003402	003402	003402	003402		
14	ROTOR & BRG	1	5	002701	002701	002701	002701	150574	150574	150574	150574	150574	150574	150574	150574	150574		
15	• BEARING, RADIAL	1		001013	001013	001013	001013	010069	010069	010069	010069	010069	010069	010069	010069	010069		
16	• SEAL, MTR HSG	1		001014	001014	001014	001014	001014	001014	001014	001014	001014	001014	001014	001014	001014		
17	• OIL, DIELECTRIC	1		002383	002383	002383	003168	011066	011066	011066	011066	011066	011066	011066	011066	011066		
18	ADAPTER-MACH	1		001003	001003	001003	001003	001003	001003	001003	001003	001003	001003	001003	001003	001003		
19	• SEAL, SHAFT	1		002430	002430	002430	002430	002430	002430	002430	002430	002430	002430	002430	002430	002430		
20	FLANGE PKG 2" NPT	1		10-1305	10-1305	10-1305	10-1305	10-1305	10-1305	10-1305	10-1305	10-1305	10-1305	10-1305	10-1305	10-1305		
	FLANGE PKG 3" NPT	1		10-1306	10-1306	10-1306	10-1306	10-1306	10-1306	10-1306	10-1306	10-1306	10-1306	10-1306	10-1306	10-1306		
21	IMPELLER "292" BRONZE	1		005188	005188	005188	005188	005188	005188	005188	005188	005188	005188	005188	005188	005188		
	IMPELLER "292" CAST IRON			NA	NA	NA	NA	NA	153997	153997	153997	153997	153997	153997	153997	153997		
22	HOUSING, PUMP-MACH	1		001005	001005	001005	001005	001005	001005	001005	158241	158241	158241	158241	158241	158241		
23	• SCREW, #6-32X.25RHM SL TC STLGR	3		001877	001877	001877	001877	001877	001877	001877	001877	001877	001877	001877	001877	001877		
24	• SCREW, #10-24 X.375 RHM-SL-SS	1		001883	001883	001883	001883	001883	001883	001883	001883	001883	001883	001883	001883	001883		
25	• SCREW, .25-20 X.75 HHM-SS	4		001916	001916	001916	001916	001916	001916	001916	001916	001916	001916	001916	001916	001916		
26	• SCREW, .5-13 X 2 HH CAP-SS	2		001909	001909	001909	001909	001909	001909	001909	001909	001909	001909	001909	001909	001909		
27	• WASHER, SS-1.25" ODX.562" IDX.078	2		002115	002115	002115	002115	002115	002115	002115	002115	002115	002115	002115	002115	002115		
28	• SCREW, .313-18 X 1" HH CAP-SS	4		002608	002608	002608	002608	002608	002608	002608	002608	002608	002608	002608	002608	002608		
29	• SCREW, .25-20X1" HHM-SS	4		007790	007790	007790	007790	007790	007790	007790	007790	007790	007790	007790	007790	007790		
o	REBUILD KIT			004747	004747	004747	014193	019648	019648	019648	019648	019648	019648	019648	019648	019648		

- Items included in Rebuild Kit.
- o Not shown in illustration.

NOTES:

- 1) If an "X" follows Model No., or Date Mfg. on ID tag, consult factory for ordering of this part.
- 2) Mtr. Hsg., Stator & Term. (item 7) is preassembled at the factory and must be replaced as a unit. Stator is permanently attached to the motor housing. Plug (item 12), Seal thru Wall Term. (item 13) and Bearing-Upper (item 8) are replaceable.
- 3) See FM0160 Parts Price Sheet for listing of parts prices.
- 4) "NA" indicates, not applicable.
- 5) When ordering specify either General Electric or Emerson motor.

REPLACEMENT PARTS LIST FOR MODELS “J292”, “F292”, “G292” & “BA292”

See page 8 for illustration.

REF. NO.	DESCRIPTION	QTY	NOTES	MODELS: J292-A J292-B J292-C			F292-A F292-B F292-C			G292-A G292-B G292-C			BA292-A BA292-B	
				8/13 thru 5/16	6/16 thru 2/25	2/25 thru Current	8/13 thru 5/16	6/16 thru 2/25	2/25 thru Current	8/13 thru 5/16	6/16 thru 2/25	2/25 thru Current	3/10 thru 5/16	6/16 thru Current
1	HANDLE	1		217069	217069	217069	217069	217069	217069	217069	217069	217069	217069	217069
2	COVER & CORD	1	2	002963	002963	002963	002963	002963	002963	002963	002963	002963	002963	002963
3	COVER-MACH	1	2	001077	001077	001077	001077	001077	001077	001077	001077	001077	001077	001077
4	* GASKET, CASE/COVER	1		001011	001011	001011	001011	001011	001011	001011	001011	001011	001011	001011
5	HOUSING, MTR & STR	1		150583	150583	150583	150584	150584	150584	150585	150585	150585	150842	150842
6	BEARING, UPPER SLEEVE	1		NA	NA	NA	NA	NA	NA	NA	NA	NA	NA	NA
	* BEARING, UPPER BALL			006703	006703	006703	006703	006703	006703	006703	006703	006703	006703	006703
7	* CLAMP, STRAIN RELIEF	1	1,5	001770	001770	001770	001770	001770	001770	001770	001770	001770	001770	001770
8	CORD TERM & SEAL ASM	1		005131	005131	005131	005131	005131	005131	005131	005131	005131	005131	005131
9	* SEAL, CORD-ASM & STRAIN RELIEF	1	2	094032	094032	094032	094032	094032	094032	094032	094032	094032	094032	094032
10	PLUG, TEST-WHITE	2	2	034090	034090	034090	034090	034090	034090	034090	034090	034090	034090	034090
11	* SEAL, THRU WALL TERM	3	2	003402	003402	003402	003402	003402	003402	003402	003402	003402	003402	003402
12	ROTOR & BRG	1		150576	150576	150576	150576	150576	150576	150576	150576	150576	150576	150576
13	* BEARING, RADIAL	1		010069	010069	010069	010069	010069	010069	010069	010069	010069	010069	010069
14	* SEAL, MTR HSG	1	5	001014	001014	001014	001014	001014	001014	001014	001014	001014	001014	001014
15	* OIL, DIELECTRIC	1		011066	011066	011066	011066	011066	011066	011066	011066	011066	011066	011066
16	ADAPTER-MACH	1		001003	001003	001003	001003	001003	001003	001003	001003	001003	001003	001003
17	* SEAL, SHAFT	1		002430	002430	002430	002430	002430	002430	002430	002430	002430	002430	002430
18	IMPELLER “292” BRONZE	1		150843	150843	150843	150843	150843	150843	150843	150843	150843	150843	150843
	IMPELLER “292” CAST IRON			NA	153998	153998	NA	153998	153998	NA	153998	153998	NA	153998
19	FLANGE PKG 2" NPT	1		10-1305	10-1305	10-1305	10-1305	10-1305	10-1305	10-1305	10-1305	10-1305	10-1305	10-1305
	FLANGE PKG 3" NPT			10-1306	10-1306	10-1306	10-1306	10-1306	10-1306	10-1306	10-1306	10-1306	10-1306	10-1306
20	HOUSING, PUMP-MACH	1		001005	001005	158241	001005	001005	158241	001005	001005	158241	001005	001005
21	* SCREW, #6-32X.25RHM SL TC STLGR	1		001877	001877	001877	001877	001877	001877	001877	001877	001877	001877	001877
22	* SCREW, .25-20 X .75 HHM-SS	4		001916	001916	001916	001916	001916	001916	001916	001916	001916	001916	001916
23	* SCREW, .313-18 X 1"HH CAP-SS	4		002608	002608	002608	002608	002608	002608	002608	002608	002608	002608	002608
24	* SCREW, .5-13 X 2 HH CAP-SS	2		001909	001909	001909	001909	001909	001909	001909	001909	001909	001909	001909
25	* WASHER, SS 1.25 OD X .562 LD X .078	2		002115	002115	002115	002115	002115	002115	002115	002115	002115	002115	002115
26	* SCREW, #10-24 X.375 RHM-SL SS	1		001883	001883	001883	001883	001883	001883	001883	001883	001883	001883	001883
27	* SCREW, .25-20X1" HHM-SS	4		007790	007790	007790	007790	007790	007790	007790	007790	007790	007790	007790
28	* NUT, ACORN SS	1		004351	004351	004351	004351	004351	004351	004351	004351	004351	004351	004351
29	* SPRING, BEARING PRELOAD	1		NA	NA	NA	NA	NA	NA	NA	NA	NA	NA	NA
□	REBUILD KIT			019648	019648	019648	019648	019648	019648	019648	019648	019648	019648	019648

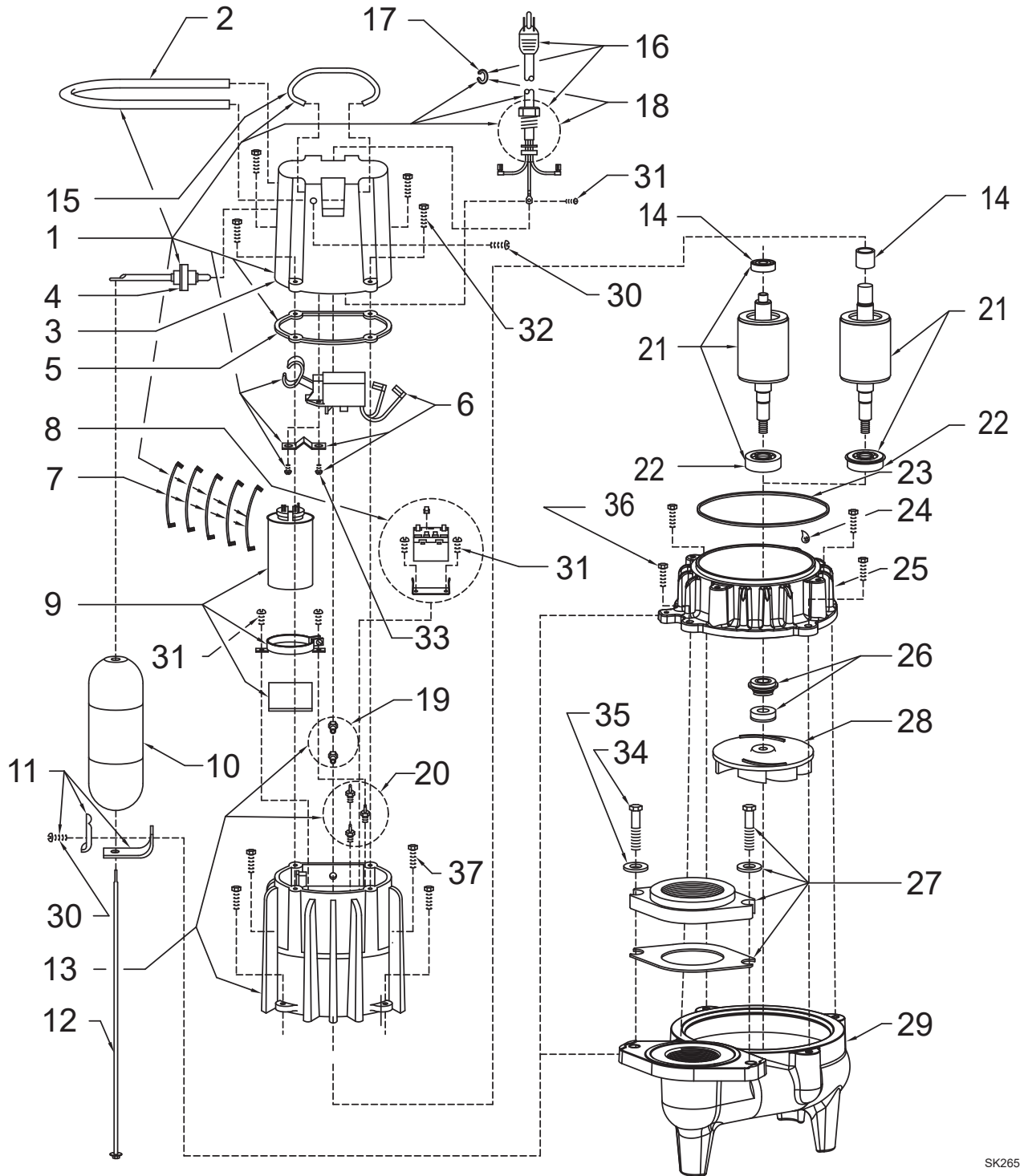
• Items included in Rebuild Kit.

□ Not shown in illustration.

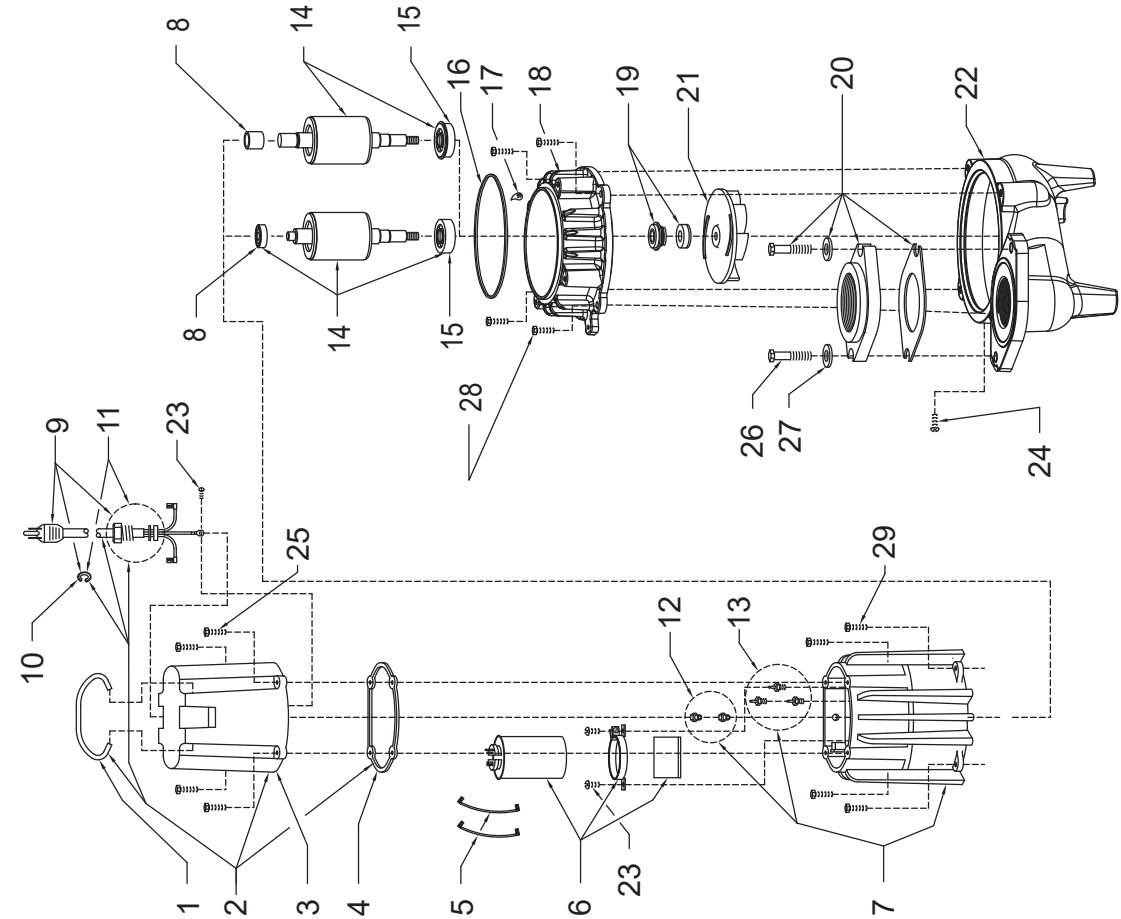
NOTES:

- 1) If an “X” follows Model No., or Date Mfg. on ID tag, consult factory for ordering of this part.
- 2) Mtr. Hsg., Stator & Term. (item 5) is preassembled at the factory and must be replaced as a unit. Stator is permanently attached to the motor housing. Plug (item 10), Seal thru Wall Term. (item 11) and Bearing-Upper (item 8) are replaceable.
- 3) See FM0160 Parts Price Sheet for listing of parts prices.
- 4) “NA” indicates, not applicable.
- 5) When ordering specify either General Electric or Emerson motor.

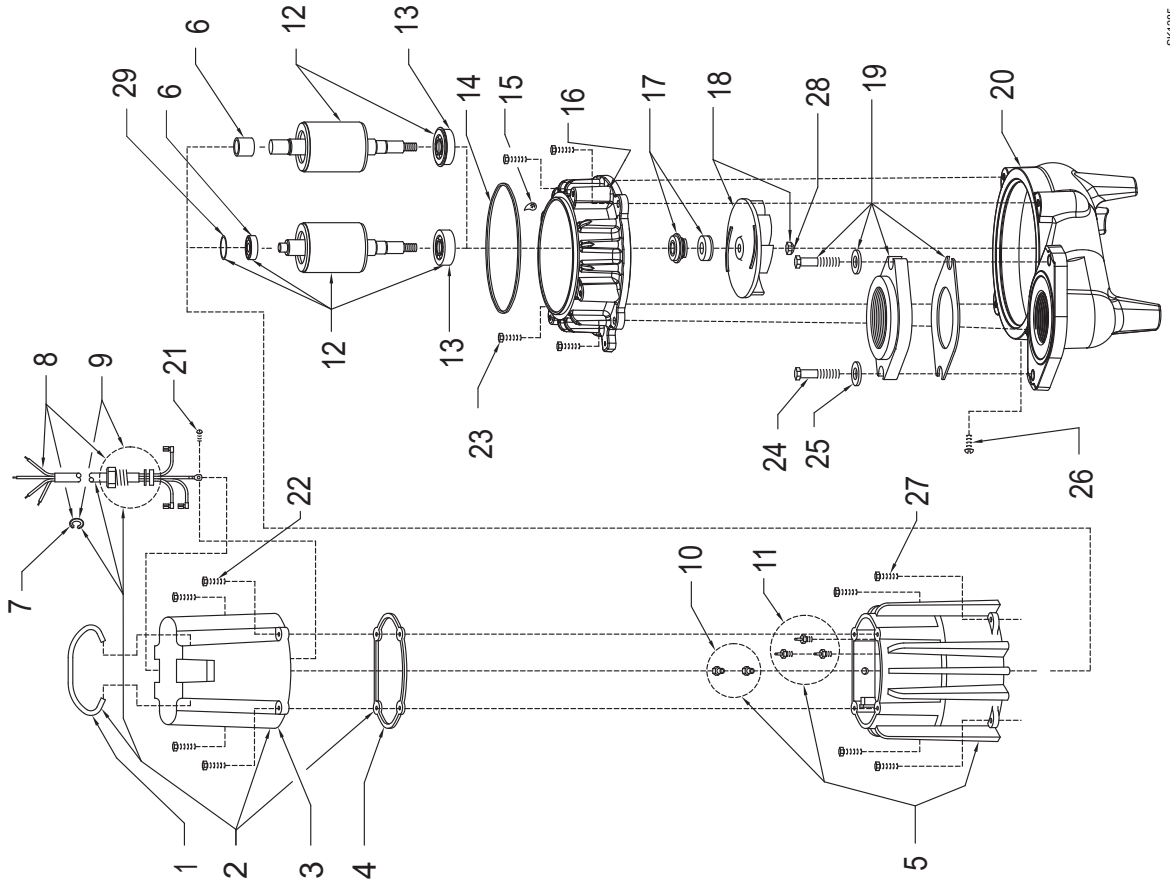
REPLACEMENT PARTS ILLUSTRATION FOR MODELS "M292", "D292" & "H292"



SK265



SK925



SK1285