

MAIL TO: P.O. BOX 16347 • Louisville, KY 40256-0347
SHIP TO: 3649 Cane Run Road • Louisville, KY 40211-1961
Tel: (502) 778-2731 • 1 (800) 928-PUMP

Visit our website:
zoellerpumps.com

Product information presented here reflects conditions at time of publication. Consult factory regarding discrepancies or inconsistencies.

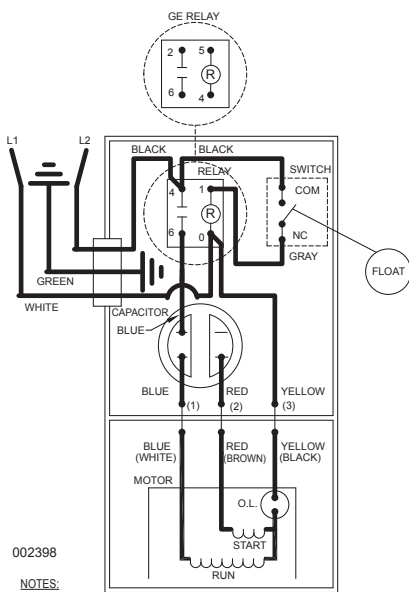
REPLACEMENT PARTS LIST FOR MODELS:

M161 AUTOMATIC 115V
D161 AUTOMATIC 230V
N161 NONAUTOMATIC 115V
E161 NONAUTOMATIC 230V
Consult factory for all other Models

TO ORDER REPLACEMENT PARTS:

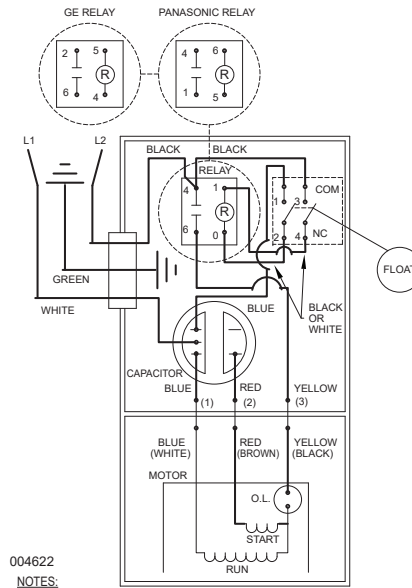
PLEASE FURNISH THE FOLLOWING INFORMATION:

- Model Number.
- Part Number of Pump.
(If manufactured prior to June 1988, give 2 letter date code following Model No.)
- Part Number and Description of part.



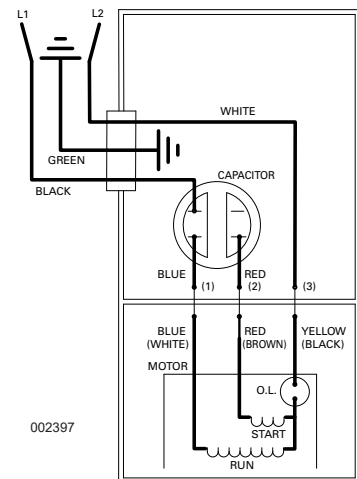
INSULATORS REQUIRED ON GE RELAY TERMINALS 2 & 5;
OMRON RELAY TERMINALS 1 & 4.

WIRING DIAGRAM FOR MODELS
"M161-A" and "D161-A"
2/85 (NR) thru 8/86 (US)



1) INSULATORS REQUIRED ON GE RELAY TERMINALS 2 & 5;
OMRON RELAY TERMINALS 1 & 4.
PANASONIC RELAY TERMINALS 6 & 4.

WIRING DIAGRAM FOR MODELS
"M161-B", "M161-C", "M161-D", "M161-E", "M161-G"
"D161-B", "D161-D"
9/86 (VS) to Current



WIRING DIAGRAM FOR MODELS
"N161-A", "N161-B", "N161-C", "N161-D", "N161-E", "N161-F"
"E161-A", "E161-B", "E161-C"
2/85 (NR) to Current

REPLACEMENT PARTS LIST FOR MODELS "M161"

See page 6 for "M161" illustration.

REF. NO.	DESCRIPTION	QTY	NOTES	MODELS: M161-A M161-B M161-C M161-D M161-E M161-F M161-G M161-H								
				2/85 NR thru 8/86 US	9/86 VS thru 8/90	9/90 thru 10/98	11/98 thru 4/03	5/03 thru 11/09	12/09 thru 1/16	2/16 thru 2/25	2/25 thru Current	
1	CASE, SW.& CORD	1	2,3	002506	004746	006292	006292	014155	014155	014155	014155	
2	• HANDLE	1		217069	217069	217069	217069	217069	217069	217069	217069	
3	CORD, TERM & SEAL	1	3	002507	002507	006290	006290	014168	014168	014168	014168	
4	CLAMP, STRAIN RELIEF	1	3	001770	001770	NA	NA	013764	013764	013764	013764	
5	• SEAL, CORD-ASM & STR RLF	1	3	094032	094032	004375	004375	015634	015634	015634	015634	
6	CASE-MACH	1	2,3	004746	004614	004633	004633	014154	014154	014154	014154	
7	• GUARD	1		001023	001023	001023	001023	001023	001023	001023	001023	
8	• ARM & SEAL ASM	1	2	002379	004745	004745	004745	004745	004745	004745	004745	
9	• GASKET, CASE/COVER	1		001011	001011	001011	001011	001011	001011	001011	001011	
10	SWITCH ASM	1	2	002380	004744	004744	004744	004744	004744	004744	004744	
□	LEAD WIRE (GRAY)	1		002609	002609	002609	NA	NA	NA	NA	NA	
11	• WIRE PKG (5) WIRES	1		001070	004749	004749	004749	004749	004749	004749	004749	
12	CAPACITOR & CLAMP ASM	1		003575	003575	003575	003575	003575	003575	003575	003575	
13	RELAY	1		217092	217092	217092	217092	217092	217092	153832	153832	
14	FLOAT, PLASTIC	1		094039	094039	094039	094039	094039	094039	094039	094039	
15	GUIDE ASM, FLT ROD	1		001072	001072	001072	001072	001072	001072	001072	001072	
16	ROD ASM, FLT	1		003083	003083	003083	003083	003083	150439	150439	158668	
17	HOUSING, MTR-& STR	1	1,6	002497	002497	002497	002497	002497	150580	150580	150580	
18	BEARING, UPPER SLEEVE	1		001012	001012	001012	001012	001012	NA	NA	NA	
	BEARING, UPPER BALL	1		NA	NA	NA	NA	NA	006703	006703	006703	
19	• PLUG, TEST-WHITE	2		034090	034090	034090	034090	034090	034090	034090	034090	
20	• SEAL, THRU WALL TERM	3		003402	003402	003402	003402	003402	003402	003402	003402	
21	ROTOR & BRG	1	6	002701	002701	002701	002701	002701	150574	150574	150574	
22	BEARING, RADIAL	1		001013	001013	001013	001013	001013	010069	010069	010069	
23	• SEAL, MTR HSG	1		001014	001014	001014	001014	001014	001014	001014	001014	
24	• OIL, DIELECTRIC	1		002383	002383	002383	002383	003168	011066	011066	011066	
25	ADAPTER-MACH	1		001003	001003	001003	001003	001003	001003	001003	001003	
26	• SEAL, SHAFT	1		002430	002430	002430	002430	002430	002430	002430	002430	
27	FLANGE PKG 2" NPT	1		10-1305	10-1305	10-1305	10-1305	10-1305	10-1305	10-1305	10-1305	
	FLANGE PKG 3" NPT	1		10-1306	10-1306	10-1306	10-1306	10-1306	10-1306	10-1306	10-1306	
28	IMPELLER "161" BRONZE	1		004307	004307	004307	004307	004307	004307	004307	004307	
	IMPELLER "161" CAST IRON			NA	NA	NA	NA	NA	NA	157825	157825	
29	HOUSING,PUMP-MACH	1		004188	004188	004188	004188	004188	004188	004188	158894	
30	STRAINER PLATE	1		137008	137008	137008	137008	137008	137008	137008	137008	
31	• SCREW, .25-20 X .75 HHM-SS	4		001916	001916	001916	001916	001916	001916	001916	001916	
32	• SCREW, .313-18 X 1" HH CAP-SS	4		002608	002608	002608	002608	002608	002608	002608	002608	
33	• SCREW, #10-24 X.375 RHM-SL SS	2		001883	001883	001883	001883	001883	001883	001883	001883	
34	• SCREW, #6-32X.438 RHSLTP"1" STLZI	2		001877	004644	004644	004644	004644	004644	004644	004644	
35	• SEM, 10-24X.375HH-SL TC.688 WASH	2		002000	002000	002000	002000	002000	002000	002000	002000	
36	• WASHER, SS-1.25"ODX.562"IDX.078	2		002115	002115	002115	002115	002115	002115	002115	002115	
37	• SCREW, 5-13 X 2 HH CAP-SS	2		001909	001909	001909	001909	001909	001909	001909	001909	
38	• SCREW, #6-32X.25RHM SL TC STLGR	5		001877	001877	001877	001877	001877	001877	001877	001877	
39	• SCREW, .25-20X1" HHM-SS	4		007790	007790	007790	007790	007790	007790	007790	007790	
□	REBUILD KIT			002509	004747	004747	004747	016103	019647	019647	019647	

• Items included in Rebuild Kit.

□ Not shown in illustration.

NOTES:

- 1) Mtr. Hsg., Brg., Stator & Term. (Item 17) is preassembled at the factory and must be replaced as a unit. Stator is permanently attached to the Motor Housing. Plug (Item 19); Seal, Thru Wall Term. (Item 20) and Bearing - Upper (Item 18) are replaceable.
- 2) When ordering these parts, customer must identify if switch is a General Electric switch.
- 3) If an "X" follows Model No., or Date Mfg. on ID tag, consult factory for ordering of this part.
- 4) See FM0160 Parts Price Sheet for listing of parts prices.
- 5) "NA" indicates, not applicable.
- 6) When ordering specify either GE or Emerson Motor.

REPLACEMENT PARTS LIST FOR MODELS "D161"

See page 6 for "D161" illustration.

REF. NO.	DESCRIPTION	QTY	NOTES	MODELS: D161-A					D161-B	D161-C	D161-D	D161-E
				2/85 NR thru 8/86 US	9/86 VS thru 11/09	12/09 thru 1/16	2/16 thru 2/25	2/25 thru Current				
1	CASE, SW.& CORD	1	2,3	002378	004748	004748	004748	004748	004748			
2	• HANDLE	1		217069	217069	217069	217069	217069	217069			
3	CORD, TERM & SEAL	1	3	002429	002429	002429	002429	002429	002429			
4	CLAMP, STRAIN RELIEF	1	3	001770	001770	001770	001770	001770	001770			
5	• SEAL, CORD-ASM & STR RLF	1	3	094032	094032	094032	094032	094032	094032			
6	CASE-MACH	1	2,3	001007	004614	004614	004614	004614	004614			
7	• GUARD	1		001023	001023	001023	001023	001023	001023			
8	• ARM & SEAL ASM	1	2	002379	004745	004745	004745	004745	004745			
9	• GASKET, CASE/COVER	1		001011	001011	001011	001011	001011	001011			
10	SWITCH ASM	1	2	002380	004744	004744	004744	004744	004744			
11	• WIRE PKG (5) WIRES	1		001070	004749	004749	004749	004749	004749			
12	CAPACITOR & CLAMP ASM	1		002381	002381	002381	002381	002381	002381			
13	RELAY	1		217093	217093	217093	153833	153833	153833			
14	FLOAT, PLASTIC	1		094039	094039	094039	094039	094039	094039			
15	GUIDE ASM, FLT ROD	1		001072	001072	001072	001072	001072	001072			
16	ROD ASM, FLT	1		003083	003083	150439	150439	158668	158668			
17	HOUSING, MTR & STR	1	1,6	002504	002504	150582	150582	150582	150582			
18	BEARING, SLEEVE	1		001012	001012	NA	NA	NA	NA			
	BEARING, UPPER BALL	1		NA	NA	006703	006703	006703	006703			
19	• PLUG, TEST-WHITE	2		034090	034090	034090	034090	034090	034090			
20	• SEAL, THRU WALL TERM	3		003402	003402	003402	003402	003402	003402			
21	ROTOR & BRG	1	6	002691	002691	150575	150575	150575	150575			
22	BEARING, RADIAL	1		001013	001013	010069	010069	010069	010069			
23	• SEAL, MTR HSG	1		001014	001014	001014	001014	001014	001014			
24	• OIL, DIELECTRIC	1		002383	002383	011066	011066	011066	011066			
25	ADAPTER-MACH	1		001003	001003	001003	001003	001003	001003			
26	• SEAL, SHAFT	1		002430	002430	002430	002430	002430	002430			
27	FLANGE PKG 2" NPT	1		10-1305	10-1305	10-1305	10-1305	10-1305	10-1305			
	FLANGE PKG 3" NPT	1		10-1306	10-1306	10-1306	10-1306	10-1306	10-1306			
28	IMPELLER "161" BRONZE	1		004307	004307	004307	004307	004307	004307			
	IMPELLER "161" CAST IRON			NA	NA	NA	157825	157825	157825			
29	HOUSING,PUMP-MACH	1		004188	004188	004188	004188	158894	158894			
30	STRAINER PLATE	1		137008	137008	137008	137008	137008	137008			
31	• SCREW, .25-20 X .75 HHM-SS	4		001916	001916	001916	001916	001916	001916			
32	• SCREW, .313-18 X 1" HH CAP-SS	4		002608	002608	002608	002608	002608	002608			
33	• SCREW, #10-24 X.375 RHM-SL SS	2		001883	001883	001883	001883	001883	001883			
34	• SCREW, #6-32X.438 RHLSTP"1" STLZI	2		001877	004644	004644	004644	004644	004644			
35	• SEM, 10-24X.375HH-SL TC.688 WASH	2		002000	002000	002000	002000	002000	002000			
36	• WASHER, SS-1.25"ODX.562"IDX.078	2		002115	002115	002115	002115	002115	002115			
37	• SCREW, .5-13 X 2 HH CAP-SS	2		001909	001909	001909	001909	001909	001909			
38	• SCREW, #6-32X.25RHM SL TC STLGR	5		001877	001877	001877	001877	001877	001877			
39	• SCREW, .25-20X1" HHM-SS	4		007790	007790	007790	007790	007790	007790			
□	REBUILD KIT			002509	004747	019647	019647	019647	019647			

• Items included in Rebuild Kit.

□ Not shown in illustration.

NOTES:

- 1) Mtr. Hsg., Brg., Stator & Term. (Item 17) is preassembled at the factory and must be replaced as a unit. Stator is permanently attached to the Motor Housing. Plug (Item 19); Seal, Thru Wall Term. (Item 20) and Bearing - Upper (Item 18) are replaceable.
- 2) When ordering these parts, customer must identify if switch is a General Electric switch.
- 3) If an "X" follows Model No., or Date Mfg. on ID tag, consult factory for ordering of this part.
- 4) See FM0160 Parts Price Sheet for listing of parts prices.
- 5) "NA" indicates, not applicable.
- 6) When ordering specify either GE or Emerson Motor.

REPLACEMENT PARTS LIST FOR MODELS "N161"

See page 6 for "N161" illustration.

REF. NO.	DESCRIPTION	QTY	NOTES	MODELS: N161-A					
				2/85 NR thru 8/86 US	9/86 VS thru 8/90	9/90 thru 10/98	11/98 thru 4/03	5/03 thru 11/09	12/09 thru Current
1	• HANDLE	1		217069	217069	217069	217069	217069	217069
2	COVER & CORD	1	2	002499	002499	006293	006293	014158	014158
3	CORD, TERM, & SEAL	1	2	002508	002508	006291	006291	014169	014169
4	CLAMP, STRAIN RELIEF	1	2	001770	001770	001770	001770	013764	013764
5	SEAL ASM., CORD & STRAIN RELIEF	1	2	094032	094032	004375	004375	015634	015634
6	COVER-MACH	1	2,3	001077	001077	004372	004372	014150	014150
7	• GASKET, CASE/COVER	1		001011	001011	001011	001011	001011	001011
8	• WIRE PKG (5) WIRES	1		001070	004749	004749	004749	004749	004749
9	CAPACITOR & CLAMP ASM	1		003575	003575	003575	003575	003575	003575
10	HOUSING, MTR & STR	1	1,5	002497	002497	002497	002497	002497	150580
11	BEARING, SLEEVE	1		001012	001012	001012	001012	001012	NA
	BEARING, UPPER BALL	1		NA	NA	NA	NA	NA	006703
12	• PLUG, TEST-WHITE	2		034090	034090	034090	034090	034090	034090
13	SEAL THRU WALL TERM	3		003402	003402	003402	003402	003402	003402
14	ROTOR & BRG	1	5	002701	002701	002701	002701	002701	150574
15	BEARING, RADIAL	1		001013	001013	001013	001013	001013	010069
16	• SEAL, MTR HSG	1		001014	001014	001014	001014	001014	001014
17	• OIL, DIELECTRIC	1		002383	002383	002383	002383	003168	011066
18	ADAPTER-MACH	1		001003	001003	001003	001003	001003	001003
19	• SEAL, SHAFT	1		002430	002430	002430	002430	002430	002430
20	FLANGE PKG 2" NPT	1		10-1305	10-1305	10-1305	10-1305	10-1305	10-1305
	FLANGE PKG 3" NPT	1		10-1306	10-1306	10-1306	10-1306	10-1306	10-1306
21	IMPELLER "161" BRONZE	1		004307	004307	004307	004307	004307	004307
	IMPELLER "161" CAST IRON			NA	NA	NA	NA	NA	157825
22	HOUSING, PUMP-MACH	1		004188	004188	004188	004188	004188	004188
23	STRAINER PLATE	1		137008	137008	137008	137008	137008	137008
24	• SCREW, .25-20 X .75 HHM-SS	4		001916	001916	001916	001916	001916	001916
25	• SCREW, .313-18 X 1" HH CAP-SS	4		002608	002608	002608	002608	002608	002608
26	• SCREW, #10-24 X.375 RHM-SL SS	2		001883	001883	001883	001883	001883	001883
27	• SEM, 10-24X.375HH-SL TC.688 WASH	2		002000	002000	002000	002000	002000	002000
28	• SCREW, .5-13 X 2 HH CAP-SS	2		001909	001909	001909	001909	001909	001909
29	• WASHER, SS-1.25" ODX.562"IDX.078	2		002115	002115	002115	002115	002115	002115
30	• SCREW, #6-32X.25RHM SL TC STLGR	4		001877	001877	001877	001877	001877	001877
31	• SCREW, .25-20X1" HHM-SS	4		007790	007790	007790	007790	007790	007790
□	REBUILD KIT			002509	004747	004747	004747	014193	019648

• Items included in Rebuild Kit.

□ Not shown in illustration.

NOTES:

- 1) Mtr. Hsg., Brg., Stator & Term. (Item 10) is preassembled at the factory and must be replaced as a unit. Stator is permanently attached to the Motor Housing. Plug (Item 12); Seal, Thru Wall Term. (Item 13) and Bearing - Upper (Item 15) are replaceable.
- 2) If an "X" follows Model No., or Date Mfg. on ID tag, consult factory for ordering of this part.
- 3) See FM0160 Parts Price Sheet for listing of parts prices.
- 4) "NA" indicates, not applicable.
- 5) When ordering specify either GE or Emerson Motor.

REPLACEMENT PARTS LIST FOR MODELS "E161"

See page 6 for "E161" illustration.

MODELS: E161-A E161-B E161-C						
REF. NO.	DESCRIPTION	QTY	NOTES	2/85 NR thru 8/86 US	9/86 VS thru 11/09	12/09 thru Current
1	• HANDLE	1		217069	217069	217069
2	COVER & CORD	1	2	002401	002401	002401
3	CORD, TERM, & SEAL	1	2	002402	002402	002402
4	CLAMP, STRAIN RELIEF	1	2	001770	001770	001770
5	SEAL ASM., CORD & STRAIN RELIEF	1	2	094032	094032	094032
6	COVER-MACH	1	2,3	001077	001077	001077
7	• GASKET, CASE/COVER	1		001011	001011	001011
8	• WIRE PKG (5) WIRES	1		001070	004749	004749
9	CAPACITOR & CLAMP ASM	1		002381	002381	002381
10	HOUSING, MTR-& STR	1	1,5	002504	002504	150582
11	BEARING, SLEEVE	1		001012	001012	NA
	BEARING, UPPER BALL	1		NA	NA	006703
12	• PLUG, TEST-WHITE	2		034090	034090	034090
13	SEAL THRU WALL TERM	3		003402	003402	003402
14	ROTOR & BRG	1	5	002701	002701	150575
15	BEARING, RADIAL	1		001013	001013	010069
16	• SEAL, MTR HSG	1		001014	001014	001014
17	• OIL, DIELECTRIC	1		002383	002383	011066
18	ADAPTER-MACH	1		001003	001003	001003
19	• SEAL, SHAFT	1		002430	002430	002430
20	FLANGE PKG 2" NPT	1		10-1305	10-1305	10-1305
	FLANGE PKG 3" NPT	1		10-1306	10-1306	10-1306
21	IMPELLER "161" BRONZE	1		004307	004307	004307
	IMPELLER "161" CAST IRON			NA	NA	157825
22	HOUSING, PUMP-MACH	1		004188	004188	004188
23	STRAINER PLATE	1		137008	137008	137008
24	• SCREW, .25-20 X .75 HHM-SS	4		001916	001916	001916
25	• SCREW, .313-18 X 1" HH CAP-SS	4		002608	002608	002608
26	• SCREW, #10-24 X.375 RHM-SL SS	2		001883	001883	001883
27	• SEM, 10-24X.375HH-SL TC.688 WASH	2		002000	002000	002000
28	• SCREW, .5-13 X 2 HH CAP-SS	2		001909	001909	001909
29	• WASHER, SS-1.25"ODX.562"IDX.078	2		002115	002115	002115
30	• SCREW, #6-32X.25RHM SL TC STLGR	4		001877	001877	001877
31	• SCREW, .25-20X1" HHM-SS	4		007790	007790	007790
□	REBUILD KIT			002509	004747	019648

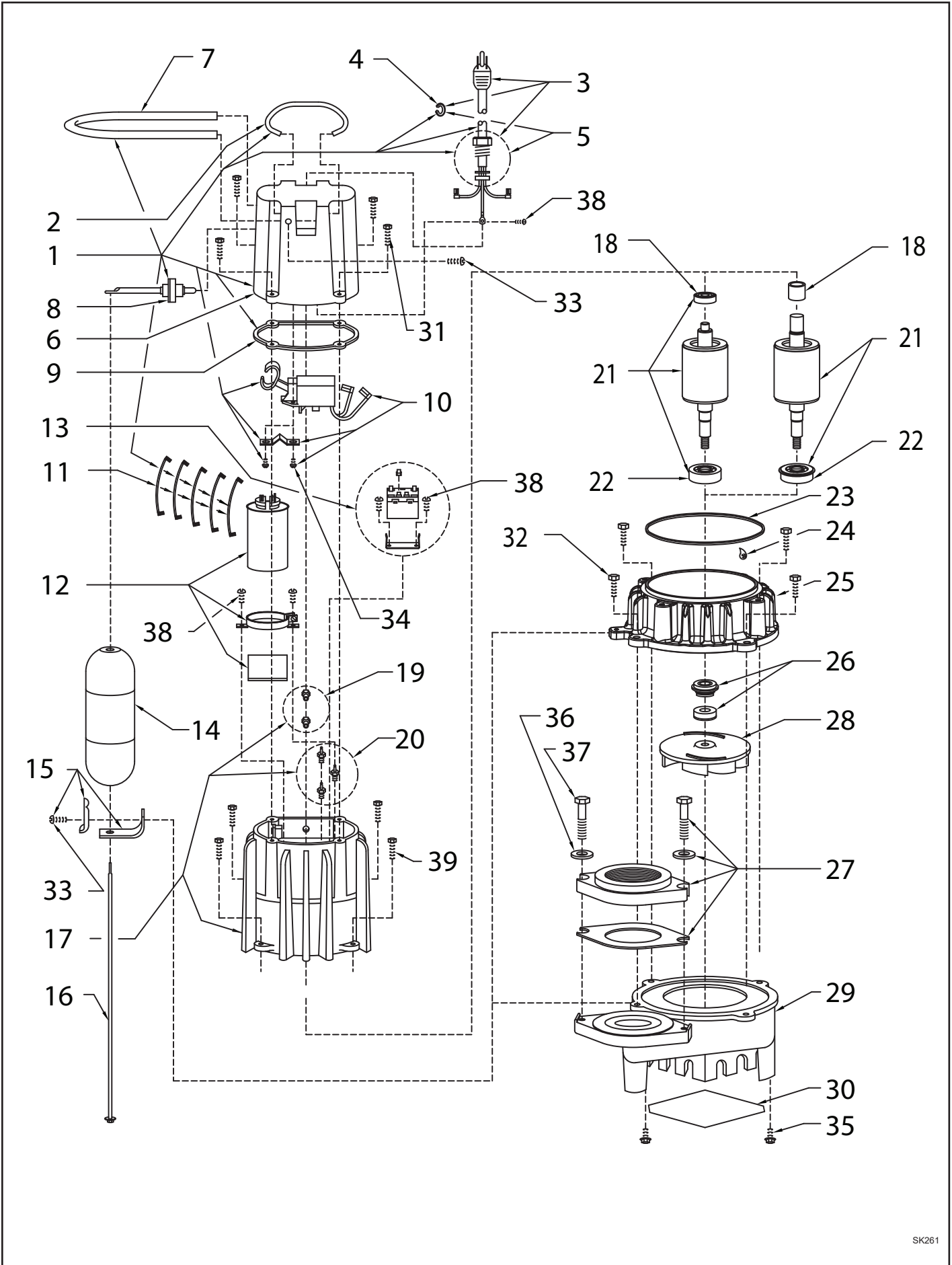
• Items included in Rebuild Kit.

□ Not shown in illustration.

NOTES:

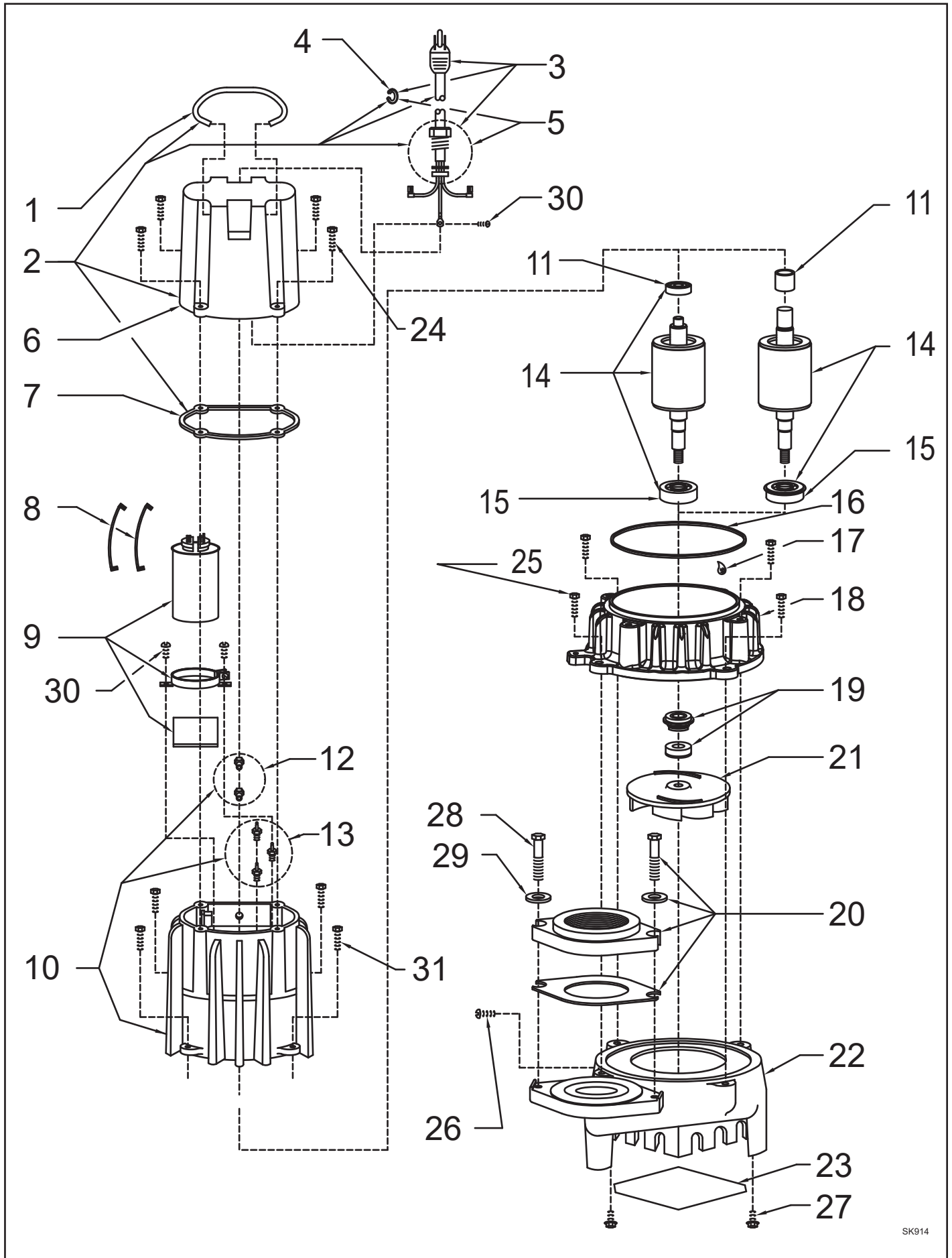
- 1) Mtr. Hsg., Brg., Stator & Term. (Item 10) is preassembled at the factory and must be replaced as a unit. Stator is permanently attached to the Motor Housing. Plug (Item 12); Seal, Thru Wall Term. (Item 13) and Bearing - Upper (Item 15) are replaceable.
- 2) If an "X" follows Model No., or Date Mfg. on ID tag, consult factory for ordering of this part.
- 3) See FM0160 Parts Price Sheet for listing of parts prices.
- 4) "NA" indicates, not applicable.
- 5) When ordering specify either GE or Emerson Motor.

REPLACEMENT PARTS ILLUSTRATION FOR MODELS "M161" AND "D161"



SK261

REPLACEMENT PARTS ILLUSTRATION FOR MODELS "N161" AND "E161"



SK914

ZOELLER
PUMP COMPANY



MAIL TO: P.O. BOX 16347 • Louisville, KY 40256-0347
SHIP TO: 3649 Cane Run Road • Louisville, KY 40211-1961
Tel: (502) 778-2731 • 1 (800) 928-PUMP

Trusted. Tested. Tough.®

Visit our website:
zoellerpumps.com