

MAIL TO: P.O. BOX 16347 • Louisville, KY 40256-0347  
 SHIP TO: 3649 Cane Run Road • Louisville, KY 40211-1961  
 Tel: (502) 778-2731 • 1 (800) 928-PUMP

Visit our website:  
 zoellerpumps.com

Product information presented here reflects conditions at time of publication. Consult factory regarding discrepancies or inconsistencies.

## REPLACEMENT PARTS LIST FOR MODELS:

D188 AUTOMATIC 230V

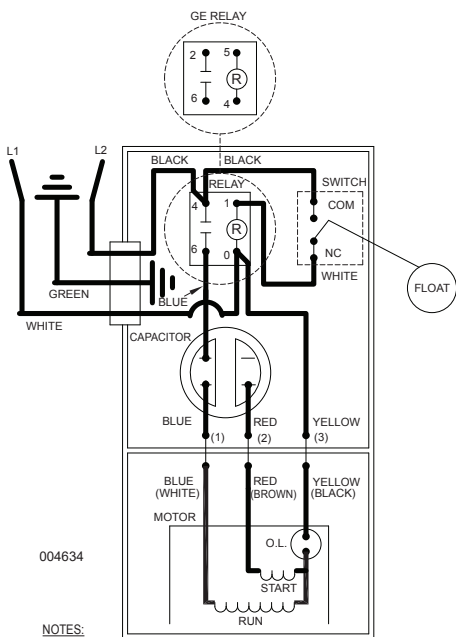
E188 NONAUTOMATIC 230V

Consult factory for all other Models

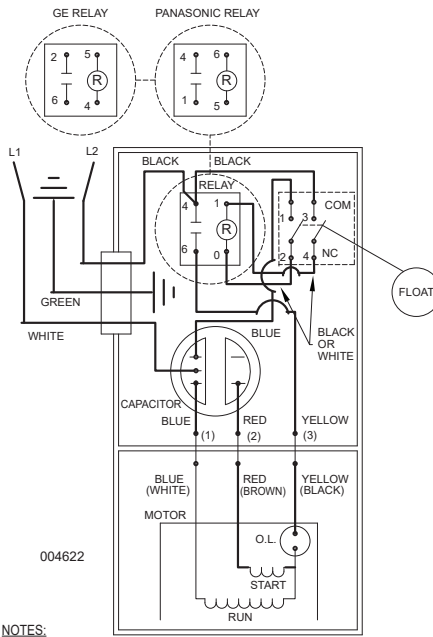
### TO ORDER REPLACEMENT PARTS:

PLEASE FURNISH THE FOLLOWING INFORMATION:

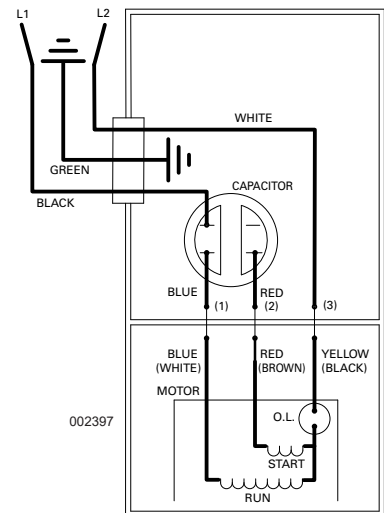
- Model Number.
- Part Number of Pump.  
 (If manufactured prior to June 1988, give  
 2 letter date code following Model No.)
- Part Number and Description of part.



WIRING DIAGRAM FOR MODELS  
 "D188-A"  
 2/85 (NR) thru 8/86 (US)



WIRING DIAGRAM FOR MODELS  
 "D188-B"  
 9/86 (VS) thru Current



WIRING DIAGRAM FOR MODELS  
 "E188" All Revisions  
 2/85 (NR) thru Current

# REPLACEMENT PARTS LIST FOR MODELS "D188"

See back page for "D188" illustration.

REF. NO.	DESCRIPTION	QTY	NOTES	MODELS: D188-A D188-B D188-C D188-D D188-E D188-F D188-G D188-H								
				2/85 NR thru 8/86 US	9/86 VS thru 5/87 RT	6/87 ST thru 7/90	8/90 thru 4/03	5/03 thru 5/08	6/08 thru 1/16	2/16 thru 2/25	2/25 thru Current	
1	CASE SW & CORD	1	2,3	004252	004750	004750	004754	014167	014167	014167	014167	
2	• HANDLE	1		217069	217069	217069	217069	217069	217069	217069	217069	
3	CORD TERM & SEAL	1	3	002429	002429	002429	004374	014174	014174	014174	014174	
4	CLAMP, STRAIN RELIEF	1	3	001770	001770	001770	001770	013764	013764	013764	013764	
5	• SEAL, CORD-ASM & STR RLF	1	3	094032	094032	094032	004375	015634	015634	015634	015634	
6	CASE-MACH	1	2,3	004750	004614	004614	004633	014154	014154	014154	014154	
7	• GUARD	1		001023	001023	001023	001023	001023	001023	001023	001023	
8	• ARM & SEAL ASM	1	2	002379	004745	004745	004745	004745	004745	004745	004745	
9	• GASKET, CASE/COVER	1		001011	001011	001011	001011	001011	001011	001011	001011	
10	SWITCH ASM	1	2	004206	004744	004744	004744	004744	004744	004744	004744	
11	• WIRE PKG (5) WIRES	1		004174	004751	004751	004751	004751	004751	004751	004751	
12	CAPACITOR & CLAMP ASM	1		006135	006135	006135	006135	006135	006135	006135	006135	
13	RELAY	1		217093	217093	217093	217093	217093	217093	153833	153833	
14	FLOAT, PLASTIC	1		094039	094039	094039	094039	094039	094039	094039	094039	
15	GUIDE ASM, FLT ROD	1		001072	001072	001072	001072	001072	001072	001072	001072	
16	ROD ASM, FLT	1		003083	003083	003083	003083	003083	150439	150439	158668	
17	HOUSING, MTR & STR	1	1	004094	004094	004993	004993	004993	019233	019233	019233	
18	BEARING, UPPER SLEEVE	1		001012	001012	001012	001012	001012	NA	NA	NA	
	• BEARING, UPPER BALL		NA	NA	NA	NA	NA	006703	006703	006703		
19	• PLUG, TEST-WHITE	2		034090	034090	034090	034090	034090	034090	034090	034090	
20	• SEAL, THRU WALL TERM	3		003402	003402	003402	003402	003402	003402	003402	003402	
21	ROTOR & BRG	1		004095	004095	004994	004994	004994	019225	019225	019225	
22	• BEARING, RADIAL	1		001013	001013	001013	001013	001013	010069	010069	010069	
23	• SEAL, MTR HSG	1		001014	001014	001014	001014	001014	001014	001014	001014	
24	• OIL, DIELECTRIC	1		002383	002383	002383	002383	003168	011066	011066	011066	
25	ADAPTER-MACH	1		001003	001003	001003	001003	001003	001003	001003	001003	
26	• SEAL, SHAFT	1		002430	002430	002430	002430	002430	002430	002430	002430	
27	FLANGE PKG 2" NPT	1		10-1305	10-1305	10-1305	10-1305	10-1305	10-1305	10-1305	10-1305	
	FLANGE PKG 3" NPT	1		10-1306	10-1306	10-1306	10-1306	10-1306	10-1306	10-1306	10-1306	
28	IMPELLER "188" BRONZE	1		004203	004203	004203	004203	004203	004203	004203	004203	
	IMPELLER "188" CAST IRON		NA	NA	NA	NA	NA	NA	157829	157829		
29	HOUSING, PUMP-MACH	1		004188	004188	004188	004188	004188	004188	004188	158894	
30	STRAINER PLATE	1		137008	137008	137008	137008	137008	137008	137008	137008	
31	• SCREW, .25-20 X .75 HHM-SS	4		001916	001916	001916	001916	001916	001916	001916	001916	
32	• SCREW, .313-18 X 1" HH CAP-SS	4		002608	002608	002608	002608	002608	002608	002608	002608	
33	• SCREW, #10-24 X.375 RHM-SL SS	2		001883	001883	001883	001883	001883	001883	001883	001883	
34	• SCREW, #6-32X.438RHS LTP"1" STLZI	2		001877	004644	004644	004644	004644	004644	004644	004644	
35	• SEM, 10-24X.375HH-SL TC.688 WASH	2		002000	002000	002000	002000	002000	002000	002000	002000	
36	• WASHER, SS-1.25" ODX.562" IDX.078	2		002115	002115	002115	002115	002115	002115	002115	002115	
37	• SCREW, .5-13 X 2 HH CAP-SS	2		001909	001909	001909	001909	001909	001909	001909	001909	
38	• SCREW, #6-32X.25RHM SL TC STLGR	5		001877	001877	001877	001877	001877	001877	001877	001877	
39	• SCREW, .25-20 X 1" HHM-SS	4		007790	007790	007790	007790	007790	007790	007790	007790	
□	REBUILD KIT			004234	004752	004752	004752	016103	019647	019647	019647	

• Items included in Rebuild Kit.

□ Not shown in illustration.

## NOTES:

- 1) Mtr. Hsg., Brg., Stator & Term. (Item 17) is preassembled at the factory and must be replaced as a unit. Stator is permanently attached to the Motor Housing. Plug (Item 19); Seal, Thru Wall Term. (Item 20) and Bearing - Upper (Item 18) are replaceable.
- 2) When ordering these parts, customer must identify if switch is a General Electric switch.
- 3) If an "X" follows Model No., or Date Mfg. on brass ID tag, consult factory for ordering of this part.
- 4) See FM0160 Parts Price Sheet for listing of parts prices.
- 5) "NA" indicates, not applicable.

# REPLACEMENT PARTS LIST FOR MODELS "E188"

See back page for "E188" illustration.

REF. NO.	DESCRIPTION	QTY	NOTES	MODELS: E188-A E188-B E188-C E188-D E188-E E188-F					
				2/85 NR thru 8/86 US	9/86 VS thru 5/87 RT	6/87 ST thru 7/90	8/90 thru 4/03	5/03 thru 5/08	6/08 thru Current
1	• HANDLE	1		217069	217069	217069	217069	217069	217069
2	CORD & COVER 230V/1PH	1	2	002401	002401	002401	007912	014163	014163
3	CORD TERM & SEAL	1	2	002402	002402	002402	007911	014176	014176
4	CLAMP, STRAIN RELIEF	1	2	001770	001770	001770	001770	013764	013764
5	• SEAL, CORD-ASM & STR RLF	1	2	094032	094032	094032	004375	015634	015634
6	COVER-MACH	1	2	001077	001077	001077	004372	014150	014150
7	• GASKET, CASE/COVER	1		001011	001011	001011	001011	001011	001011
8	• WIRE PKG (5) WIRES	1		004174	004751	004751	004751	004751	004751
9	CAPACITOR & CLAMP ASM	1		006135	006135	006135	006135	006135	006135
10	HOUSING, MTR & STR	1	1	004094	004094	004993	004993	004993	019233
11	BEARING, UPPER SLEEVE	1		001012	001012	001012	001012	001012	NA
	• BEARING, UPPER BALL			NA	NA	NA	NA	NA	006703
12	• PLUG, TEST-WHITE	2		034090	034090	034090	034090	034090	034090
13	• SEAL, THRU WALL TERM	3		003402	003402	003402	003402	003402	003402
14	ROTOR & BRG	1		004095	004095	004994	004994	004994	019225
15	• BEARING, RADIAL	1		001013	001013	001013	001013	001013	010069
16	• SEAL, MTR HSG	1		001014	001014	001014	001014	001014	001014
17	• OIL, DIELECTRIC	1		002383	002383	002383	002383	003168	011066
18	ADAPTER-MACH	1		001003	001003	001003	001003	001003	001003
19	• SEAL, SHAFT	1		002430	002430	002430	002430	002430	002430
20	FLANGE PKG 2" NPT	1		10-1305	10-1305	10-1305	10-1305	10-1305	10-1305
	FLANGE PKG 3" NPT	1		10-1306	10-1306	10-1306	10-1306	10-1306	10-1306
21	IMPELLER "188" BRONZE	1		004203	004203	004203	004203	004203	004203
	IMPELLER "188" CAST IRON			NA	NA	NA	NA	NA	157829
22	HOUSING, PUMP-MACH	1		004188	004188	004188	004188	004188	004188
23	STRAINER PLATE	1		137008	137008	137008	137008	137008	137008
24	• SCREW, .25-20 X .75 HHM-SS	4		001916	001916	001916	001916	001916	001916
25	• SCREW, .313-18 X 1"HH CAP-SS	4		002608	002608	002608	002608	002608	002608
26	• SCREW, #10-24 X.375 RHM-SL SS	2		001883	001883	001883	001883	001883	001883
27	• SEM, 10-24X.375HH-SL TC.688 WASH	2		002000	002000	002000	002000	002000	002000
28	• SCREW, .5-13 X 2 HH CAP-SS	2		001909	001909	001909	001909	001909	001909
29	• WASHER, SS-1.25"ODX.562"IDX.078	2		002115	002115	002115	002115	002115	002115
30	• SCREW, #6-32X.25RHM SL TC STLGR	4		001877	001877	001877	001877	001877	001877
31	• SCREW, .25-20 X 1" HHM-SS	4		007790	007790	007790	007790	007790	007790
□	REBUILD KIT			004234	004752	004752	004752	014193	019648

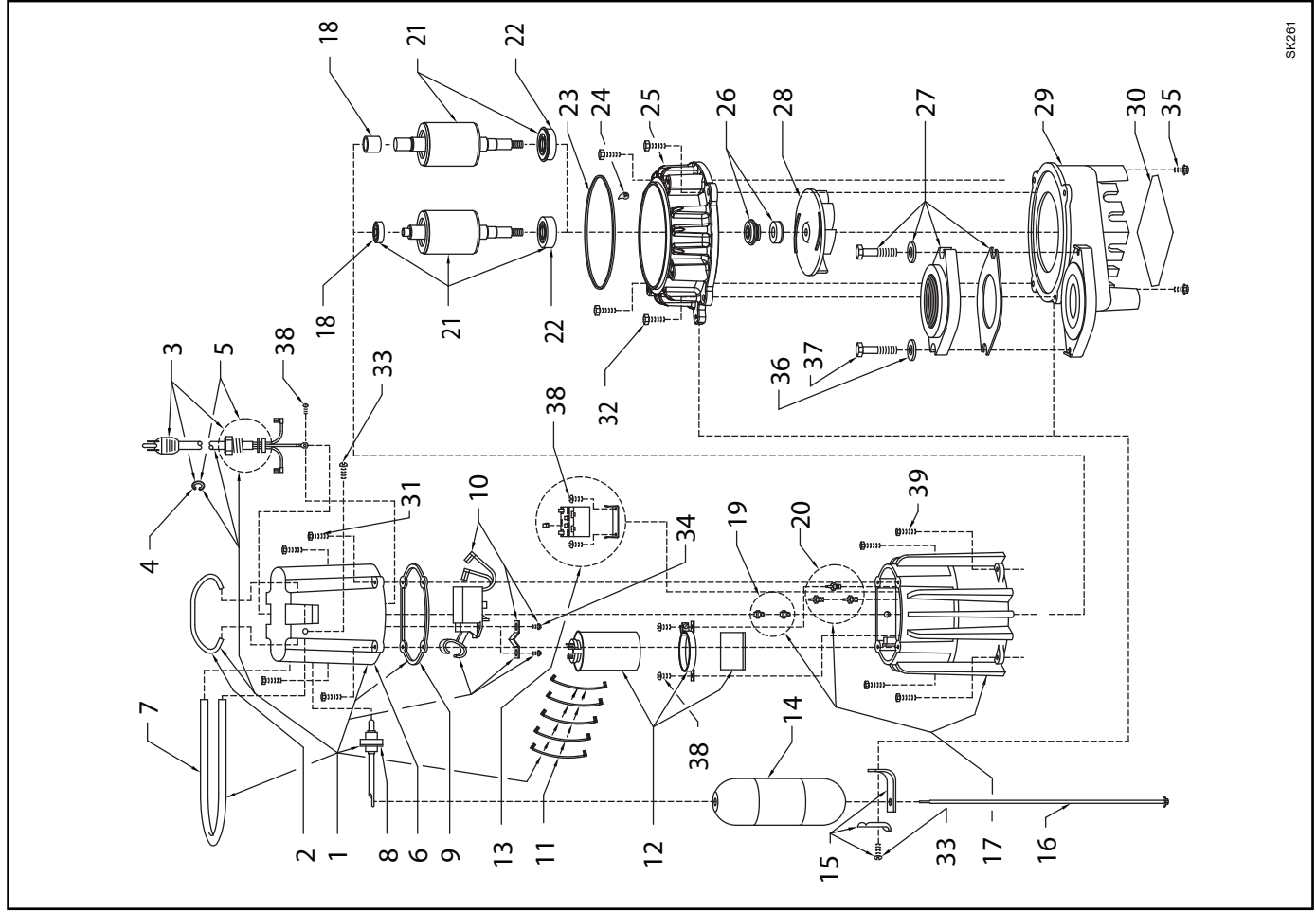
• Items included in Rebuild Kit.

□ Not shown in illustration.

## NOTES:

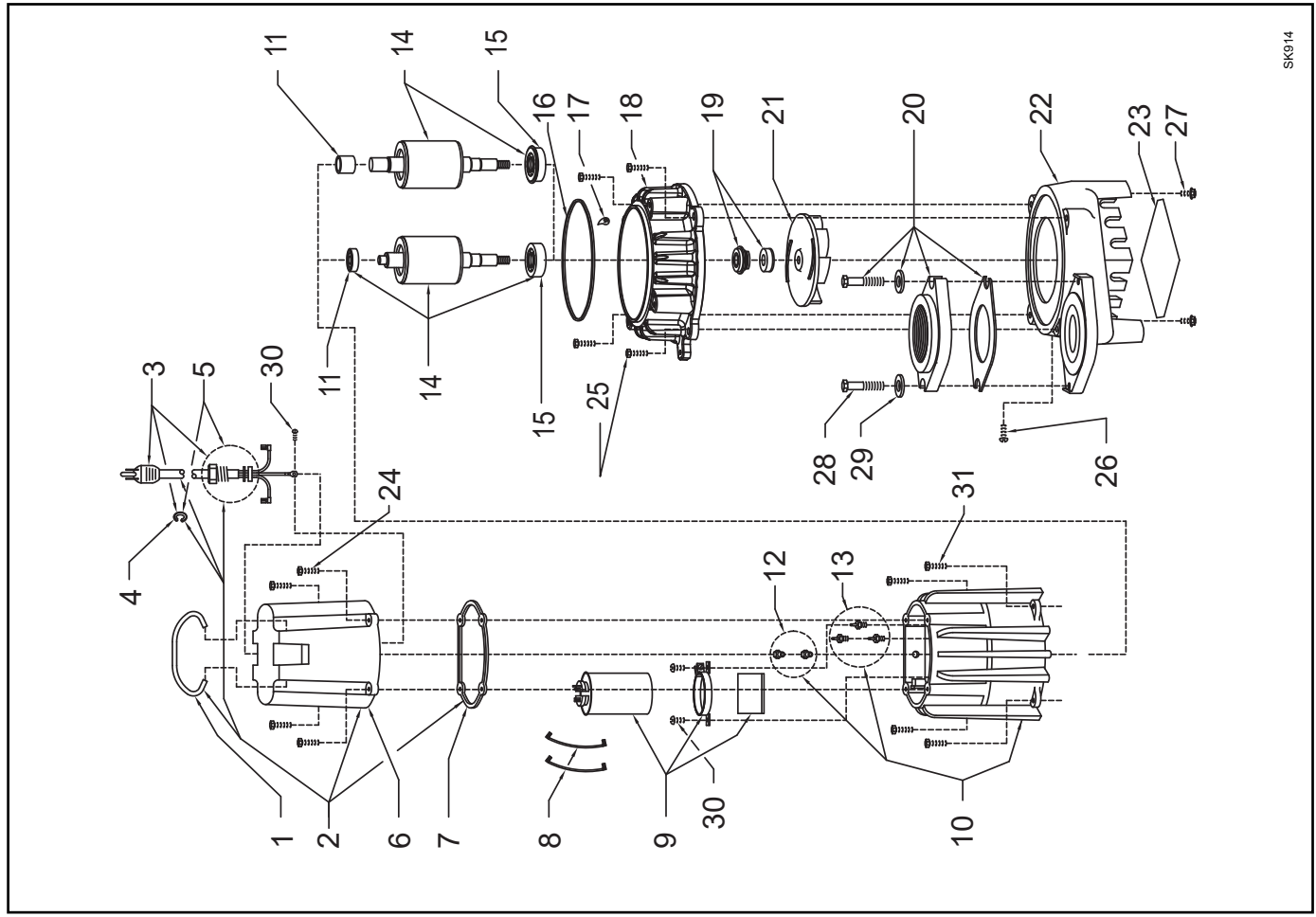
- 1) Mtr. Hsg., Brg., Stator & Term. (Item 10) is preassembled at the factory and must be replaced as a unit. Stator is permanently attached to the Motor Housing. Plug (Item 12); Seal, Thru Wall Term. (Item 13) and Bearing - Upper (Item 11) are replaceable.
- 2) If an "X" follows Model No., or Date Mfg. on brass ID tag, consult factory for ordering of this part.
- 3) See FM0160 Parts Price Sheet for listing of parts prices.
- 4) "NA" indicates, not applicable.

REPLACEMENT PARTS ILLUSTRATION FOR MODEL "D188"



SK261

REPLACEMENT PARTS ILLUSTRATION FOR MODEL "E188"



SK914