

MAIL TO: P.O. BOX 16347 • Louisville, KY 40256-0347
SHIP TO: 3649 Cane Run Road • Louisville, KY 40211-1961
Tel: (502) 778-2731 • 1 (800) 928-PUMP

Visit our website:
zoellerpumps.com

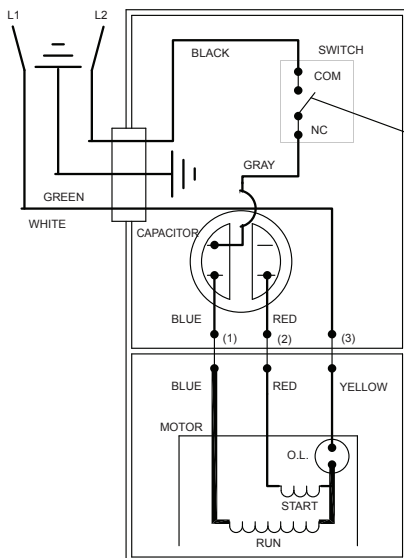
Product information presented here reflects conditions at time of publication. Consult factory regarding discrepancies or inconsistencies.

REPLACEMENT PARTS LIST FOR MODELS:

M282 AUTOMATIC 115V
D282 AUTOMATIC 230V
N282 NONAUTOMATIC 115V
E282 NONAUTOMATIC 230V

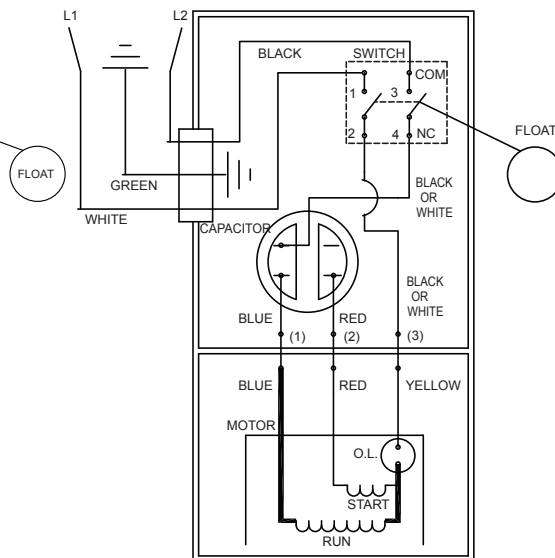
TO ORDER REPLACEMENT PARTS: PLEASE FURNISH THE FOLLOWING INFORMATION:

- Model Number.
- Part Number of Pump.
(If manufactured prior to June 1988, give 2 letter date code following Model No.)
- Part Number and Description of part.



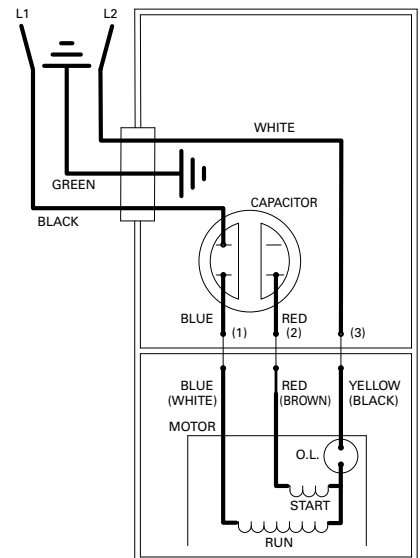
002390

WIRING DIAGRAM FOR MODELS
"M282-A" and "D282-A"
11/81 (XM) thru 8/86 (US)



004621

WIRING DIAGRAM FOR MODELS
"M282-B", "M282-C" and "D282-B", "D282-C"
9/86 (VS) thru Current



002390

WIRING DIAGRAM FOR MODELS
"N282-A", "N282-B" and "N282-C"
"E282-A", "E282-B" and "E282-C"
11/81 (XM) to Current

REPLACEMENT PARTS LIST FOR MODELS "M282" & "D282"

See back page for illustration.

REF. NO.	DESCRIPTION	QTY	NOTES	MODELS: M282-A M282-B M282-C M282-D D282-A D282-B D282-C D282-D D282-E								
				11/81 XM thru 8/86 US	9/86 VS thru 12/92	1/93 thru 5/10	6/10 thru Current	11/81 XM thru 8/86 US	9/86 VS thru 12/92	1/93 thru 5/10	6/10 thru 2/25	2/25 thru Current
1	CASE SWITCH & CD	1	2,4	003164	004757	004757	004757	004759	004759	004759	004759	004759
2	• GUARD	1		001023	001023	001023	001023	001023	001023	001023	001023	001023
3	CASE-MACH	1	2,4	004757	004614	004614	004614	004759	004614	004614	004614	004614
4	• ARM & SEAL ASM	1	2	002379	004745	004745	004745	002379	004745	004745	004745	004745
5	• GASKET,CASE/COVER	1		001011	001011	001011	001011	001011	001011	001011	001011	001011
6	SWITCH ASM "282"	1	2	002380	004755	004755	004755	002380	004755	004755	004755	004755
□	LEAD WIRE (GRAY)	1		002609	N/A	N/A	N/A	002609	N/A	N/A	N/A	N/A
7	• WIRE PKG (2)WIRES	1		003165	004756	004756	004756	003165	004756	004756	004756	004756
8	RELAY	1		N/A	N/A	N/A	N/A	N/A	N/A	N/A	N/A	N/A
9	CAPACITOR & CLAMP ASM 20UF	1		002381	002381	002381	002381	002381	002381	002381	002381	002381
10	FLOAT,PLASTIC	1		094039	094039	094039	094039	094039	094039	094039	094039	094039
11	GUIDE ASM,FLT ROD	1		094048	094048	094048	094048	094048	094048	094048	094048	001072
12	ROD ASM,FLT	1		001043	001043	001043	150438	001043	001043	001043	150438	158668
13	HOUSING,MTR-&STR "282"GE	1	1,3	003166	003166	003166	150922	003172	003172	003172	150949	150949
	HOUSING,MTR-&STR "282"EMD	1		150246	150246	005539	N/A	150248	150248	006091	N/A	N/A
14	BEARING,SLEEVE	1		001012	001012	001012	N/A	001012	001012	001012	N/A	N/A
	BEARING, RADIAL	1		N/A	N/A	N/A	006703	N/A	N/A	N/A	006703	006703
15	• HANDLE	1		217069	217069	217069	217069	217069	217069	217069	217069	217069
16	CORD TERM & SEAL	1	2,4	217049	094071	094071	094071	217043	094072	094072	094072	094072
17	• CLAMP,STRAIN RELIEF	1	4,7	N/A	N/A	N/A	N/A	N/A	N/A	N/A	N/A	N/A
18	• SEAL,CORD-ASM & STRAIN RELIEF	1	4	094032	094032	094032	094032	094032	094032	094032	094032	094032
19	• PLUG,TEST-WHITE	2		034090	034090	034090	034090	034090	034090	034090	034090	034090
20	• SEAL,THRU WALL TERM	3		003402	003402	003402	003402	003402	003402	003402	003402	003402
21	ROTOR & BRG 115/230V "282" GE	1	3	003167	003167	007978	150874	003167	003167	007978	150874	150874
	ROTOR & BRG 115/230V "282" EMD	1		005540	005540	007979	N/A	005540	005540	007979	N/A	N/A
22	• BEARING,LOWER ROTOR	1		094106	094106	001013	010069	094106	094106	001013	010069	010069
23	• SEAL,MTR HSG	1		001014	001014	001014	001014	001014	001014	001014	001014	001014
24	• OIL,DIELECTRIC	1		003168	003168	003168	011066	003168	003168	003168	011066	011066
25	ADAPTER-MACH "280"	1		002357	002357	001003	001003	002357	002357	001003	001003	001003
26	• SEAL,SHAFT "282","284"	1		002946	002946	002430	002430	002946	002946	002430	002430	002430
27	FLANGE PKG 2"NPT	1		10-1305	10-1305	10-1305	10-1305	10-1305	10-1305	10-1305	10-1305	10-1305
	FLANGE PKG 3"NPT			10-1306	10-1306	10-1306	10-1306	10-1306	10-1306	10-1306	10-1306	10-1306
28	IMPELLER "282"	1		002998	002998	002998	002998	002998	002998	002998	002998	002998
29	HOUSING,PUMP-MACH	1		217012	217012	217012	217012	217012	217012	217012	217012	158238
30	• SCREW,#10-24 X.375 RHM-SL SS	2		001883	001883	001883	001883	001883	001883	001883	001883	001883
31	• SCREW,#6-32X.25RHM SL TC STLGR	4		001877	001877	001877	001877	001877	001877	001877	001877	001877
32	• SCREW,.25-20 X .75 HHM-SS	4		001916	001916	001916	001916	001916	001916	001916	001916	001916
33	• SCREW,#6-32X.438RHSLTP"1"STLZI	2		001877	004644	004644	004644	001877	004644	004644	004644	004644
34	• SCREW,.5-13 X 2 HH CAP-SS	2		001909	001909	001909	001909	001909	001909	001909	001909	001909
35	• WASHER,SS-1.25"ODX.562"IDX.078	2		002115	002115	002115	002115	002115	002115	002115	002115	002115
36	• SCREW,.313-18 X 1"HH CAP-SS	4		002608	002608	002608	002608	002608	002608	002608	002608	002608
37	• SCREW,25-20X1" HHM-SS	4		007790	007790	007790	007790	007790	007790	007790	007790	007790
□	REBUILD KIT "280"	1		003170	004758	007980	019647	003170	004758	007980	019647	019647

• Items included in Rebuild Kit.

□ Not Shown in Illustration.

NOTES:

- 1) Mtr. Hsg., Brg., Stator & Term. (Item 13) are preassembled at the factory and must be replaced as a unit. Stator is permanently attached to the Motor Housing. Plug (Item 19); Seal, Thru Wall Term. (Item 20) and Bearing - Upper (Item 14) are replaceable.
- 2) When ordering these parts, customer must identify if switch is a General Electric switch.
- 3) When ordering Motor Housing, Bearing, Stator and Term. (Item 13) or Rotor (Item 21) specify either GE or Emerson motor. GE motor can be identified by (4) holes spaced at 90° around the outside diameter of the stator. Emerson motor can be identified by (4) flat edges spaced at 90° around the outside diameter of the stator.
- 4) If an "X" follows Model No., or Date Mfg. on brass ID tag, consult factory for ordering any parts.
- 5) See FM0160 Parts Price Sheet for listing of parts prices.
- 6) "NA" indicates, not applicable.
- 7) Clamp, Strain Relief (Item 17) is not sold separately, must order Seal, Cord Asm (Item 18).

REPLACEMENT PARTS LIST FOR MODELS "N282" & "E282"

See back page for illustration.

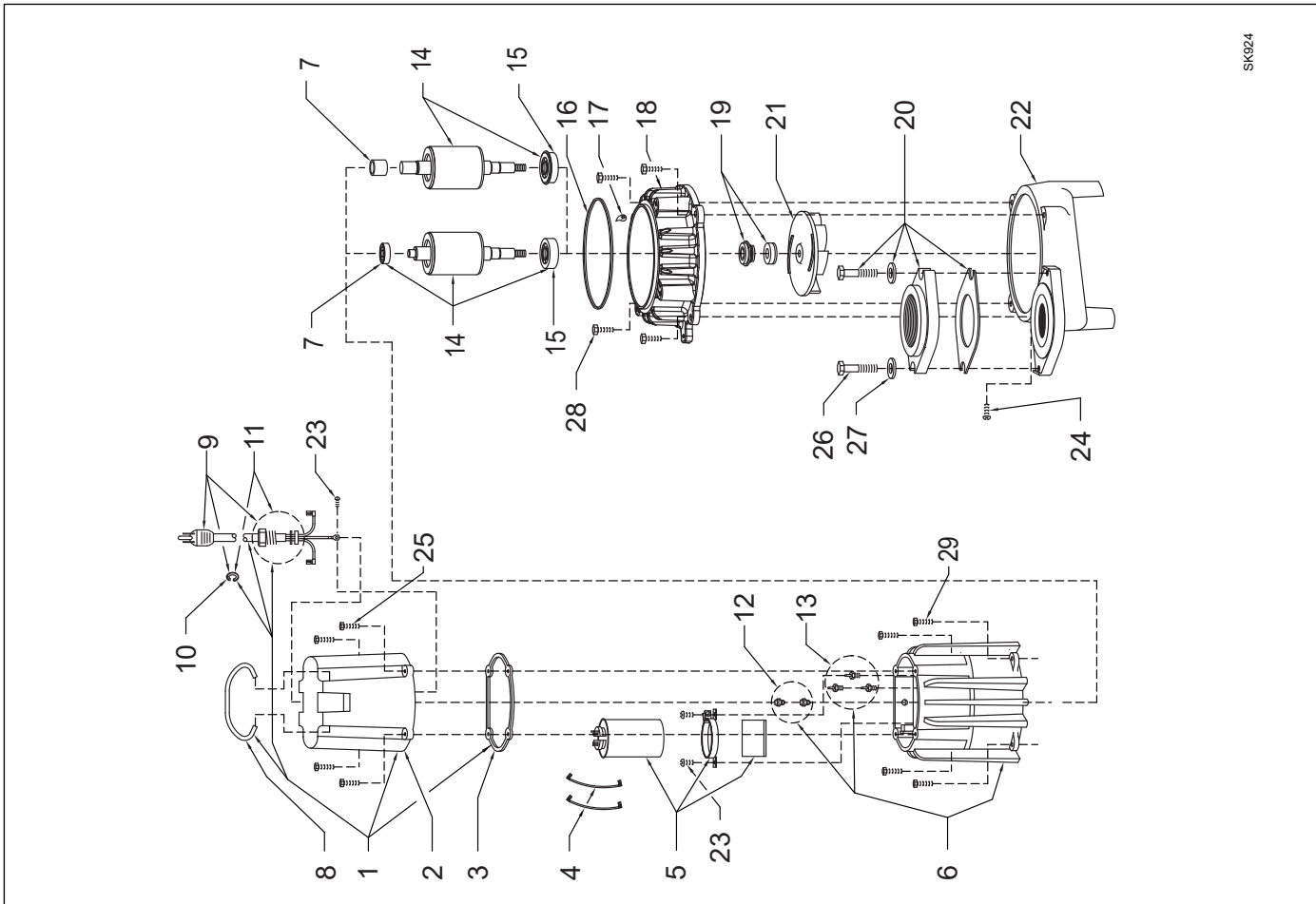
REF. NO.	DESCRIPTION	QTY	NOTES	MODELS: N282-A N282-B N282-C N282-D E282-A E282-B E282-C E282-D E282-E									
				11/81 XM thru 8/86 US	9/86 VS thru 12/92	1/93 thru Current	1/93 thru Current	11/81 XM thru 8/86 US	9/86 VS thru 12/92	1/93 thru 5/10	6/10 thru 2/25	2/25 thru Current	
1	COVER & CORD 115V/1PH "282"	1	3	003173	003173	003173	003173	003174	003174	003174	003174	003174	003174
2	COVER-MACH	1	3	001077	001077	001077	001077	001077	001077	001077	001077	001077	001077
3	• GASKET,CASE/COVER	1		001011	001011	001011	001011	001011	001011	001011	001011	001011	001011
4	• WIRE PKG (2)WIRES	1		003165	004756	004756	004756	003165	004756	004756	004756	004756	004756
5	CAPACITOR & CLAMP ASM 20UF	1		002381	002381	002381	002381	002381	002381	002381	002381	002381	002381
6	HOUSING,MTR-&STR "282"GE	1	1,2	003166	003166	003166	150922	003172	003172	003172	150949	150949	
	HOUSING,MTR-&STR "282"EMD			150246	150246	005539	N/A	150248	150248	006091	N/A	N/A	
7	BEARING,SLEEVE	1		001012	001012	001012	N/A	001012	001012	001012	N/A	N/A	
	BEARING,RADIAL			N/A	N/A	N/A	006703	N/A	N/A	N/A	006703	006703	
8	• HANDLE	1		217069	217069	217069	217069	217069	217069	217069	217069	217069	217069
9	CORD TERM & SEAL ASM	1	3	153878	153878	153878	153878	153879	153879	153879	153879	153879	153879
10	CLAMP,STRAIN RELIEF-RED	1	3, 6	N/A	N/A	N/A	N/A	N/A	N/A	N/A	N/A	N/A	N/A
11	• SEAL,CORD-ASM & STRAIN RELIEF	1	3	094032	094032	094032	094032	094032	094032	094032	094032	094032	094032
12	• PLUG,TEST-WHITE	2		034090	034090	034090	034090	034090	034090	034090	034090	034090	034090
13	SEAL,THRU WALL TERM	3		003402	003402	003402	003402	003402	003402	003402	003402	003402	003402
14	ROTOR & BRG 115/230V "282" GE	1	2	003167	003167	007978	150874	003167	003167	007978	150874	150874	
	ROTOR & BRG 115/230V "282" EMD			005540	005540	007979	N/A	005540	005540	007979	N/A	N/A	
15	• BEARING,LOWER ROTOR	1		094106	094106	001013	010069	094106	094106	001013	010069	010069	
16	• SEAL,MTR HSG	1		001014	001014	001014	001014	001014	001014	001014	001014	001014	001014
17	• OIL,DIELECTRIC-(44 OZ CAN)	1		003168	003168	003168	011066	003168	003168	003168	011066	011066	011066
18	ADAPTER-MACH "280"	1		002357	002357	001003	001003	002357	002357	001003	001003	001003	001003
19	• SEAL,SHAFT "282","284"	1		002946	002946	002430	002430	002946	002946	002430	002430	002430	002430
20	FLANGE PKG 2"NPT	1		10-1305	10-1305	10-1305	10-1305	10-1305	10-1305	10-1305	10-1305	10-1305	10-1305
	FLANGE PKG 3"NPT			10-1306	10-1306	10-1306	10-1306	10-1306	10-1306	10-1306	10-1306	10-1306	10-1306
21	IMPELLER "282"	1		002998	002998	002998	002998	002998	002998	002998	002998	002998	002998
22	HOUSING,PUMP-MACH	1		217012	217012	217012	217012	217012	217012	217012	217012	217012	158238
23	• SCREW,#6-32X.25RHM SL TC STLGR	3		001877	001877	001877	001877	001877	001877	001877	001877	001877	001877
24	• SCREW,#10-24 X.375 RHM-SL SS	2		001883	001883	001883	001883	001883	001883	001883	001883	001883	001883
25	• SCREW,.25-20 X .75 HHM-SS	4		001916	001916	001916	001916	001916	001916	001916	001916	001916	001916
26	• SCREW,.5-13 X 2 HH CAP-SS	2		001909	001909	001909	001909	001909	001909	001909	001909	001909	001909
27	• WASHER,SS-1.25"ODX.562"IDX.078	2		002115	002115	002115	002115	002115	002115	002115	002115	002115	002115
28	• SCREW,.313-18 X 1" HHM-SS	4		002608	002608	002608	002608	002608	002608	002608	002608	002608	002608
29	• SCREW,25-20X1" HHM-SS	4		007790	007790	007790	007790	007790	007790	007790	007790	007790	007790
□	REBUILD KIT "280"	1		003170	004758	007980	019648	003170	004758	007980	019648	019648	019648

- Items included in Rebuild Kit.
- Not Shown in Illustration.

NOTES:

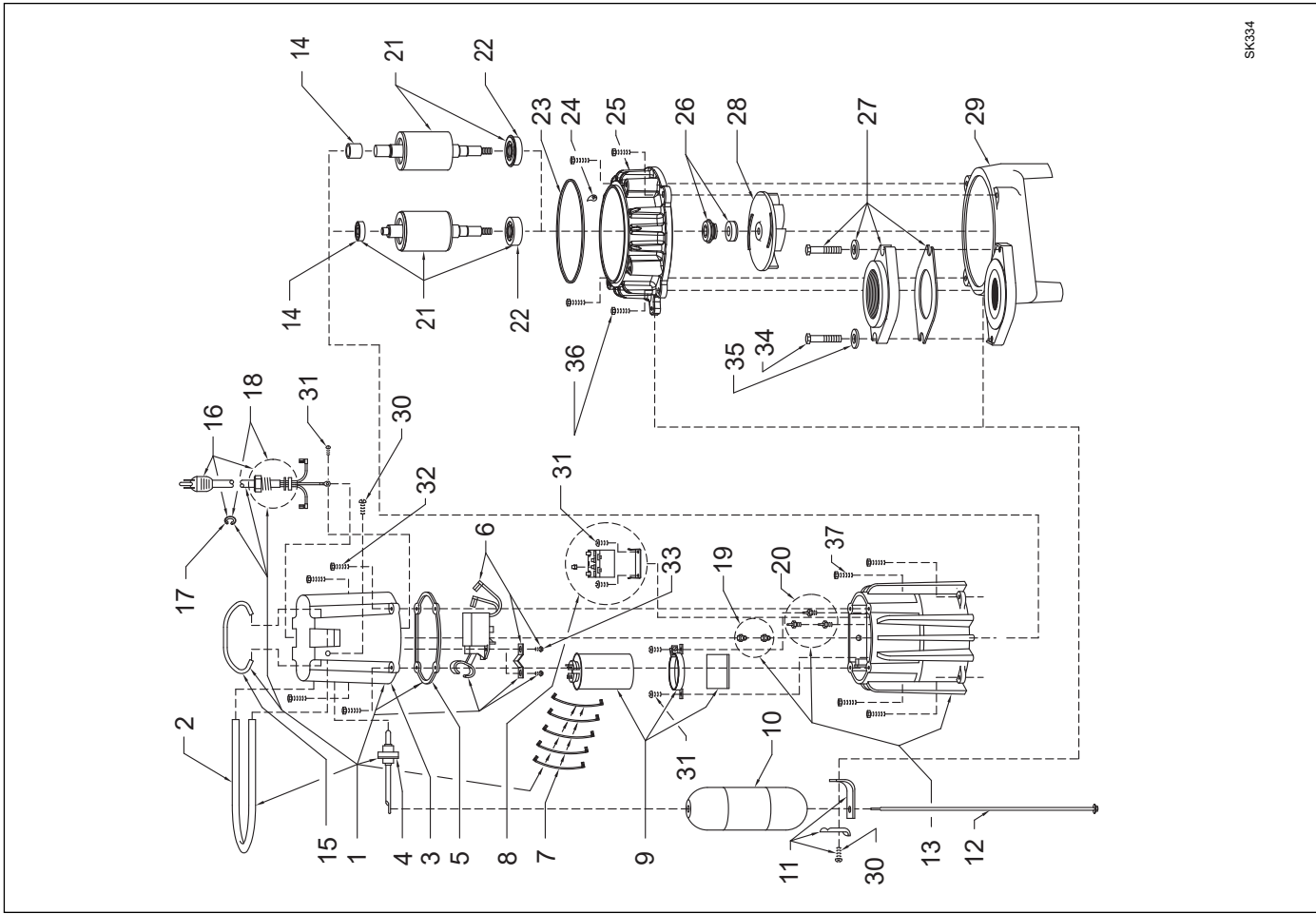
- 1) Mtr. Hsg., Brg., Stator & Term. (Item 6) are preassembled at the factory and must be replaced as a unit. Stator is permanently attached to the Motor Housing. Plug (Item 12); Seal, Thru Wall Term. (Item 13) and Bearing - Upper (Item 7) are replaceable.
- 2) When ordering Motor Housing, Bearing, Stator and Term. (Item 6) or Rotor (Item 14) specify either GE or Emerson motor. GE motor can be identified by (4) holes spaced at 90° around the outside diameter of the stator. Emerson motor can be identified by (4) flat edges spaced at 90° around the outside diameter of the stator.
- 3) If an "X" follows Model No., or Date Mfg. on brass ID tag, consult factory for ordering any parts.
- 4) See FM0160 Parts Price Sheet for listing of parts prices.
- 5) "NA" indicates, not applicable.
- 6) Clamp, Strain Relief (Item 10) is not sold separately, must order Seal, Cord Asm (Item 11).

REPLACEMENT PARTS ILLUSTRATION FOR MODELS "N282" AND "E282"



SK924

REPLACEMENT PARTS ILLUSTRATION FOR MODELS "M282" AND "D282"



SK334