

MAIL TO: P.O. BOX 16347 • Louisville, KY 40256-0347  
SHIP TO: 3649 Cane Run Road • Louisville, KY 40211-1961  
Tel: (502) 778-2731 • 1 (800) 928-PUMP

Visit our website:  
zoellerpumps.com

Product information presented here reflects conditions at time of publication. Consult factory regarding discrepancies or inconsistencies.

## REPLACEMENT PARTS LIST FOR MODELS:

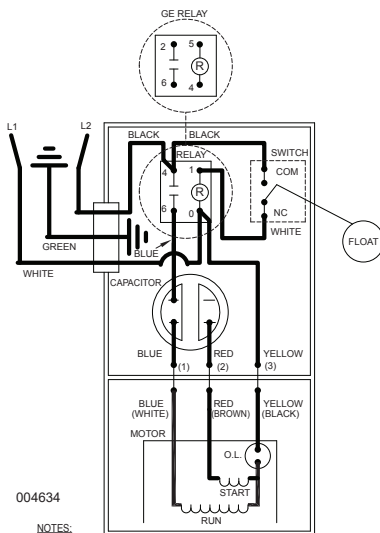
D295 AUTOMATIC 230V  
E295 NONAUTOMATIC 230V  
WD295 NONAUTOMATIC 230V

Obsolete Models	Auto/Non	Volts	PH	Obsolete Date
XE295	Nonautomatic	230	1PH	7/2003

Consult factory for all other models

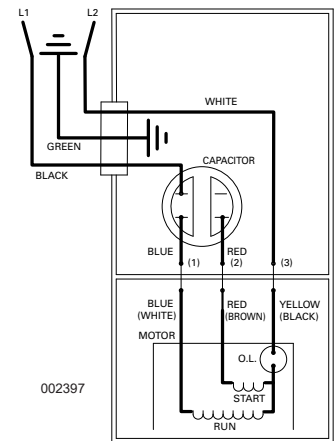
### TO ORDER REPLACEMENT PARTS PLEASE FURNISH THE FOLLOWING INFORMATION:

- Model Number.
- Part Number of Pump.  
(If manufactured prior to June 1988, give 2 letter date code following Model Number).
- Part Number and Description of part.

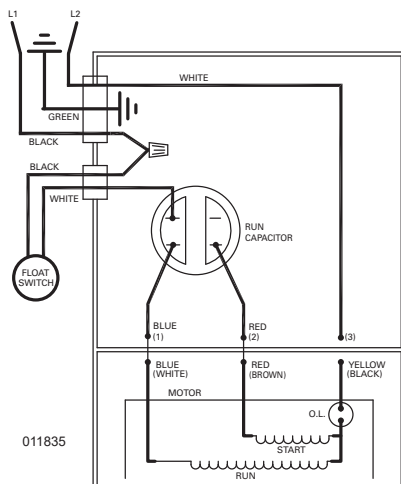


004634  
NOTES:  
INSULATORS REQUIRED ON GE RELAY TERMINALS 2 & 5;  
OMRON RELAY TERMINALS 1 & 4.

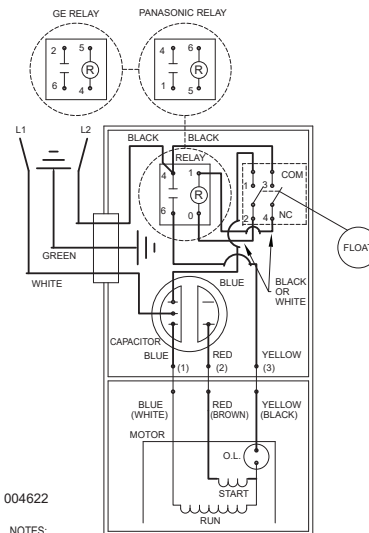
WIRING DIAGRAM FOR MODELS  
"D295-A" and "D295-B"  
2/85 (NR) thru 8/86 (US)



WIRING DIAGRAM FOR MODELS  
"E295-A" thru "E295-G"  
7/85 (TR) thru Current

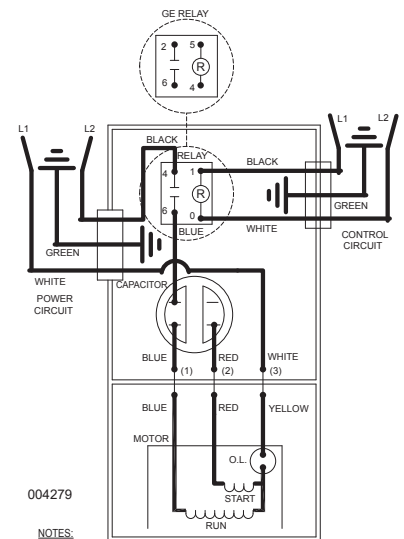


WIRING DIAGRAM FOR MODELS  
"WD295-A" thru "WD295-D"  
3/98 thru Current



004622  
NOTES:  
1) INSULATORS REQUIRED ON GE RELAY TERMINALS 2 & 5;  
OMRON RELAY TERMINALS 1 & 4.  
PANASONIC RELAY TERMINALS 6 & 4.

WIRING DIAGRAM FOR MODELS  
"D295-C" thru "D295-H"  
9/86 (VS) thru Current



004279  
NOTES:  
INSULATORS REQUIRED ON GE RELAY TERMINALS 2 & 5;  
OMRON RELAY TERMINALS 1 & 4.

WIRING DIAGRAM FOR MODELS  
"XE295-A" thru "XE295-E"  
7/85 (TR) thru Current

# REPLACEMENT PARTS LIST FOR MODEL "D295".

See page 4 for illustration.

REF. NO.	DESCRIPTION	QTY	NOTES	MODELS:									
				D295-A	D295-B	D295-C	D295-D	D295-E	D295-F	D295-G	D295-H	D295-J	
				2/85 NR thru 7/85 TR	8/85 UR thru 8/86 US	9/86 VS thru 5/87 RT	6/87 ST thru 4/03	5/03 thru 5/08	6/08 thru 1/16	2/16 thru 5/16	6/16 thru 2/25	2/25 thru Current	
1	CASE SW & CORD 230V/1PH/14GA	1	3,4	004204	004204	004754	004754	014167	014167	014167	014167	014167	
2	• GUARD	1		001023	001023	001023	001023	001023	001023	001023	001023	001023	
3	CASE-MACH "189/295"	1	3,4	004754	004754	004633	004633	014154	014154	014154	014154	014154	
4	• ARM & SEAL ASM "160/180/290"	1	4	002379	002379	004745	004745	004745	004745	004745	004745	004745	
5	• GASKET,CASE/COVER	1		001011	001011	001011	001011	001011	001011	001011	001011	001011	
6	SWITCH ASM "160/180/290"	1	4	004206	004206	004744	004744	004744	004744	004744	004744	004744	
□	LEAD WIRE (WHITE)	1		004194	004194	NA	NA	NA	NA	NA	NA	NA	
7	• WIRE PKG(5)WIRES 1.5/2 HP	1		004174	004174	004751	004751	004751	004751	004751	004751	004751	
8	RELAY 230V G1 (&G5)	1	2	217093	217093	217093	217093	217093	217093	217093	153833	153833	
9	CAPACITOR & CLAMP ASM	1		006135	006135	006135	006135	006135	006135	006135	006135	006135	
10	FLOAT,PLASTIC	1		094039	094039	094039	094039	094039	094039	094039	094039	094039	
11	GUIDE ASM,FLT ROD	1		001072	001072	001072	001072	001072	001072	001072	001072	001072	
12	ROD ASM,FLT	1		001043	001043	001043	001043	001043	150438	150438	150438	158668	
13	HOUSING,MTR-&STR230/1P/1.5-2HP	1	1	004100	004100	004100	004993	004993	019233	019233	019233	019233	
14	• BEARING, UPPER SLEEVE	1		001012	001012	001012	001012	001012	NA	NA	NA	NA	
	• BEARING, UPPER BALL			NA	NA	NA	NA	NA	006703	006703	006703	006703	
15	• HANDLE	1		217069	217069	217069	217069	217069	217069	217069	217069	217069	
16	CORD TERM&SEAL 20'/230V/20A/A	1	3	004205	004374	004374	004374	014174	014174	014174	014174	014174	
17	CLAMP,#6 AUTO-SS	1	3	001769	001769	001769	001769	013764	013764	013764	013764	013764	
18	• SEAL,CORD-ASM&STR RLF T&B 14GA	1	3	004099	004375	004375	004375	015634	015634	015634	015634	015634	
19	• PLUG,TEST-WHITE	2		034090	034090	034090	034090	034090	034090	034090	034090	034090	
20	• SEAL,THRU WALL TERM	3		003402	003402	003402	003402	003402	003402	003402	003402	003402	
21	ROTOR & BRG ASM 230/1P/1.5-2HP	1		004101	004101	004101	004994	004994	019225	019225	019225	019225	
22	• BEARING,RADIAL	1		001013	001013	001013	001013	001013	010069	010069	010069	010069	
23	• SEAL,MTR HSG	1		001014	001014	001014	001014	001014	001014	001014	001014	001014	
24	• OIL,DIELECTRIC-(38 OZ CAN)	1		002383	002383	002383	002383	003168	011066	011066	011066	011066	
25	ADAPTER-MACH	1		001003	001003	001003	001003	001003	001003	001003	001003	001003	
26	• SEAL,SHAFT	1		002430	002430	002430	002430	002430	002430	002430	002430	002430	
27	FLANGE PKG 2"NPT	1		10-1305	10-1305	10-1305	10-1305	10-1305	10-1305	10-1305	10-1305	10-1305	
	FLANGE PKG 3"NPT			10-1306	10-1306	10-1306	10-1306	10-1306	10-1306	10-1306	10-1306	10-1306	
28	IMPELLER "295" BRONZE	1		004173	004173	004173	004173	004173	004173	004173	154006	154006	
	IMPELLER "295" CAST IRON			NA	NA	NA	NA	NA	NA	NA	154003	154003	
29	HOUSING,PUMP-MACH	1		001005	001005	001005	001005	001005	001005	001005	001005	158241	
30	• SCREW,#10-24 X.375 RHM-SL SS	2		001883	001883	001883	001883	001883	001883	001883	001883	001883	
31	• SCREW,#6-32X.25RHM SL TC STLGR	5		001877	001877	001877	001877	001877	001877	001877	001877	001877	
32	• SCREW,.25-20 X .75 HHM-SS	4		001916	001916	001916	001916	001916	001916	001916	001916	001916	
33	• SCREW,#6-32X.438RHS LTP1" STLZI	2		001877	001877	004644	004644	004644	004644	004644	004644	004644	
34	• SCREW,.5-13 X 2 HH CAP-SS	2		001909	001909	001909	001909	001909	001909	001909	001909	001909	
35	• WASHER,SS-1.25"ODX.562"IDX.078	2		002115	002115	002115	002115	002115	002115	002115	002115	002115	
36	• SCREW,.313-18 X 1"HH CAP-SS	4		002608	002608	002608	002608	002608	002608	002608	002608	002608	
37	• SCREW,.25-20X1" HHM-SS	4		007790	007790	007790	007790	007790	007790	007790	007790	007790	
□	REBUILD KIT "189/295"	1		004179	004583	004753	004753	016103	019647	019647	019647	019647	

• Items included in Rebuild Kit.

□ Not Shown in Illustration.

## NOTES FOR MODEL D295:

- 1) Mtr. Hsg., Brg., Stator & Term. (Item 13) is preassembled at the factory and must be replaced as a unit. Stator is permanently attached to the Motor Housing. Plug (Item 19), Seal, Thru Wall Term. (Item 20) and Bearing - Upper (Item 14) are replaceable.
- 2) Relay "W1" and "W2" Series is not in pump but is in the high level control. See FM0456 "W1" Parts List or FM0457 "W2" Parts List for relay part number.
- 3) If an "X" follows Model No., or Date Mfg. on brass ID tag, consult factory for ordering of this part.
- 4) When ordering these parts, customer must identify if switch is a General Electric switch.
- 5) See FM0160 Parts Price Sheet for listing of parts prices.
- 6) "NA" indicates, not applicable.

# REPLACEMENT PARTS LIST FOR MODEL "E295".

See page 4 for illustration.

REF. NO.	DESCRIPTION	QTY	NOTES	MODELS:								
				E295-A	E295-B	E295-C	E295-D	E295-E	E295-F	E295-G	E295-H	
				2/85 NR thru 7/85 TR	8/85 UR thru 8/86 US	9/86 VS thru 5/87 RT	6/87 ST thru 4/03	5/03 thru 5/08	6/08 thru 5/16	6/16 thru 2/25	TBD thru Current	
1	• HANDLE	1		217069	217069	217069	217069	217069	217069	217069	217069	
2	COVER & CORD 230V/1P "189/295"	1	2	004097	004097	004097	004097	014162	014162	014162	014162	
3	COVER-MACH 14GA CD	1	2	002699	004372	004372	004372	014150	014150	014150	014150	
4	• GASKET,CASE/COVER	1		001011	001011	001011	001011	001011	001011	001011	001011	
5	• WIRE PKG(5)WIRES 1.5/2 HP	1		004174	004174	004751	004751	004751	004751	004751	004751	
6	CAPACITOR & CLAMP ASM	1		006135	006135	006135	006135	006135	006135	006135	006135	
7	HOUSING,MTR-&STR230/1P/1.5-2HP	1	1	004100	004100	004100	004993	004993	019233	019233	019233	
8	BEARING, UPPER SLEEVE	1		001012	001012	001012	001012	001012	NA	NA	NA	
	• BEARING, UPPER BALL		NA	NA	NA	NA	NA	006703	006703	006703		
9	CORD TERM&SEAL 20"/230V/20A/NA	1	2	004098	004376	004376	004376	014175	014175	014175	014175	
10	CLAMP,#6 AUTO-SS	1	2	001769	001769	001769	001769	013764	013764	013764	013764	
11	• SEAL,CORD-ASM&STR RLF T&B 14GA	1	2	004099	004375	004375	004375	015634	015634	015634	015634	
12	• PLUG,TEST-WHITE	2		034090	034090	034090	034090	034090	034090	034090	034090	
13	• SEAL,THRU WALL TERM	3		003402	003402	003402	003402	003402	003402	003402	003402	
14	ROTOR & BRG ASM 230/1P/1.5-2HP	1		004101	004101	004101	004994	004994	019225	019225	019225	
15	• BEARING,RADIAL	1		001013	001013	001013	001013	001013	010069	010069	010069	
16	• SEAL,MTR HSG	1		001014	001014	001014	001014	001014	001014	001014	001014	
17	• OIL,DIELECTRIC-(38 OZ CAN)	1		002383	002383	002383	002383	003168	011066	011066	011066	
18	ADAPTER-MACH	1		001003	001003	001003	001003	001003	001003	001003	001003	
19	• SEAL,SHAFT	1		002430	002430	002430	002430	002430	002430	002430	002430	
20	FLANGE PKG 2"NPT	1		10-1305	10-1305	10-1305	10-1305	10-1305	10-1305	10-1305	10-1305	
	FLANGE PKG 3"NPT	1		10-1306	10-1306	10-1306	10-1306	10-1306	10-1306	10-1306	10-1306	
21	IMPELLER "295" BRONZE	1		004173	004173	004173	004173	004173	004173	154006	154006	
	IMPELLER "295" CAST IRON		NA	NA	NA	NA	NA	NA	154003	154003		
22	HOUSING,PUMP-MACH	1		001005	001005	001005	001005	001005	001005	001005	158241	
23	• SCREW,#6-32X.25RHM SL TC STLGR	3		001877	001877	001877	001877	001877	001877	001877	001877	
24	• SCREW,#10-24 X.375 RHM-SL SS	1		001883	001883	001883	001883	001883	001883	001883	001883	
25	• SCREW,.25-20 X .75 HHM-SS	4		001916	001916	001916	001916	001916	001916	001916	001916	
26	• SCREW,.5-13 X 2 HH CAP-SS	2		001909	001909	001909	001909	001909	001909	001909	001909	
27	• WASHER,SS-1.25"ODX.562"IDX.078	2		002115	002115	002115	002115	002115	002115	002115	002115	
28	• SCREW,.313-18X1" HH CAP-SS	4		002608	002608	002608	002608	002608	002608	002608	002608	
29	• SCREW,.25-20X1" HHM-SS	4		007790	007790	007790	007790	007790	007790	007790	007790	
□	REBUILD KIT "189/295"	1		004179	004583	004753	004753	014193	019648	019648	019648	

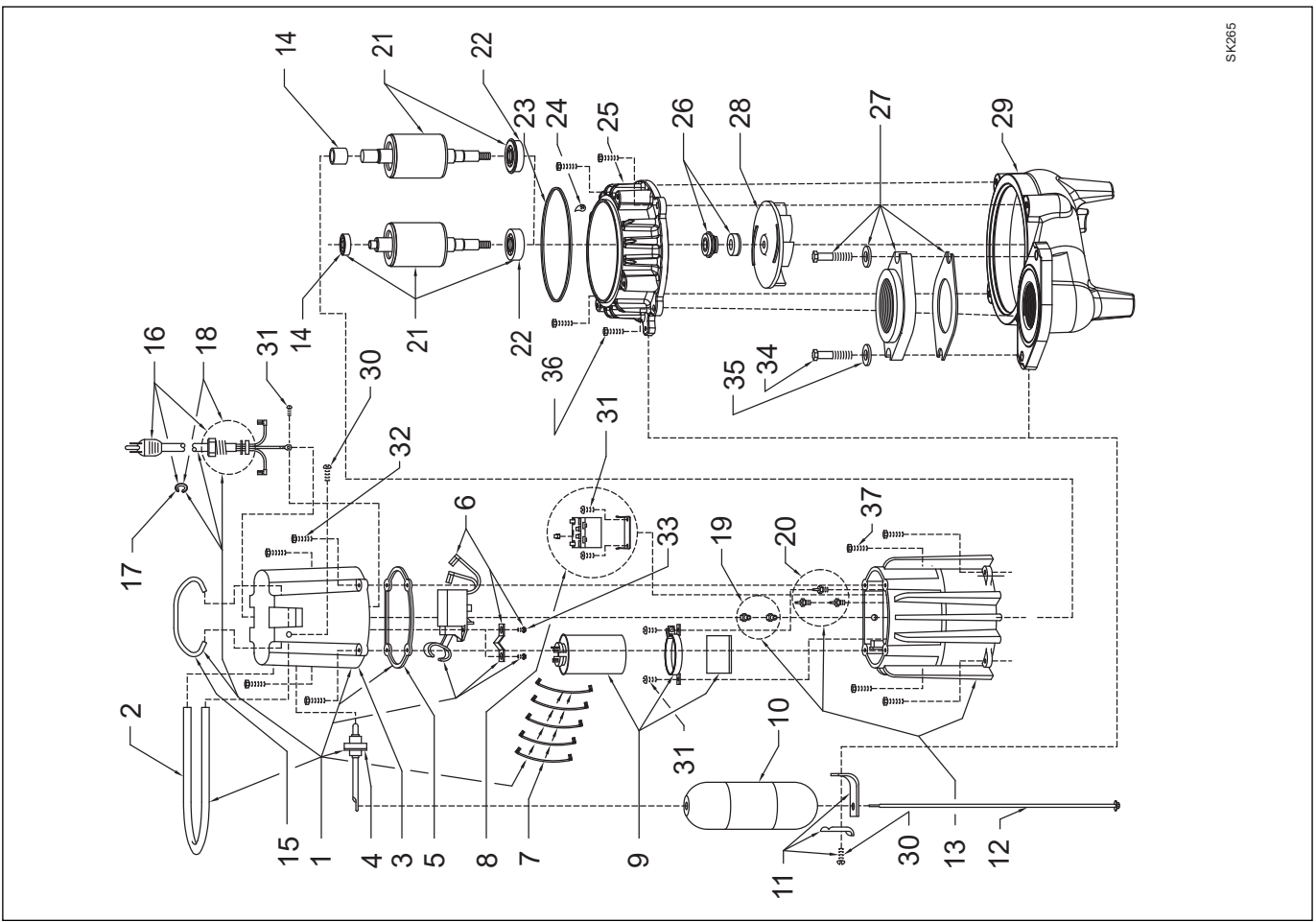
• Items included in Rebuild Kit.

□ Not Shown in Illustration.

## NOTES FOR MODEL E295:

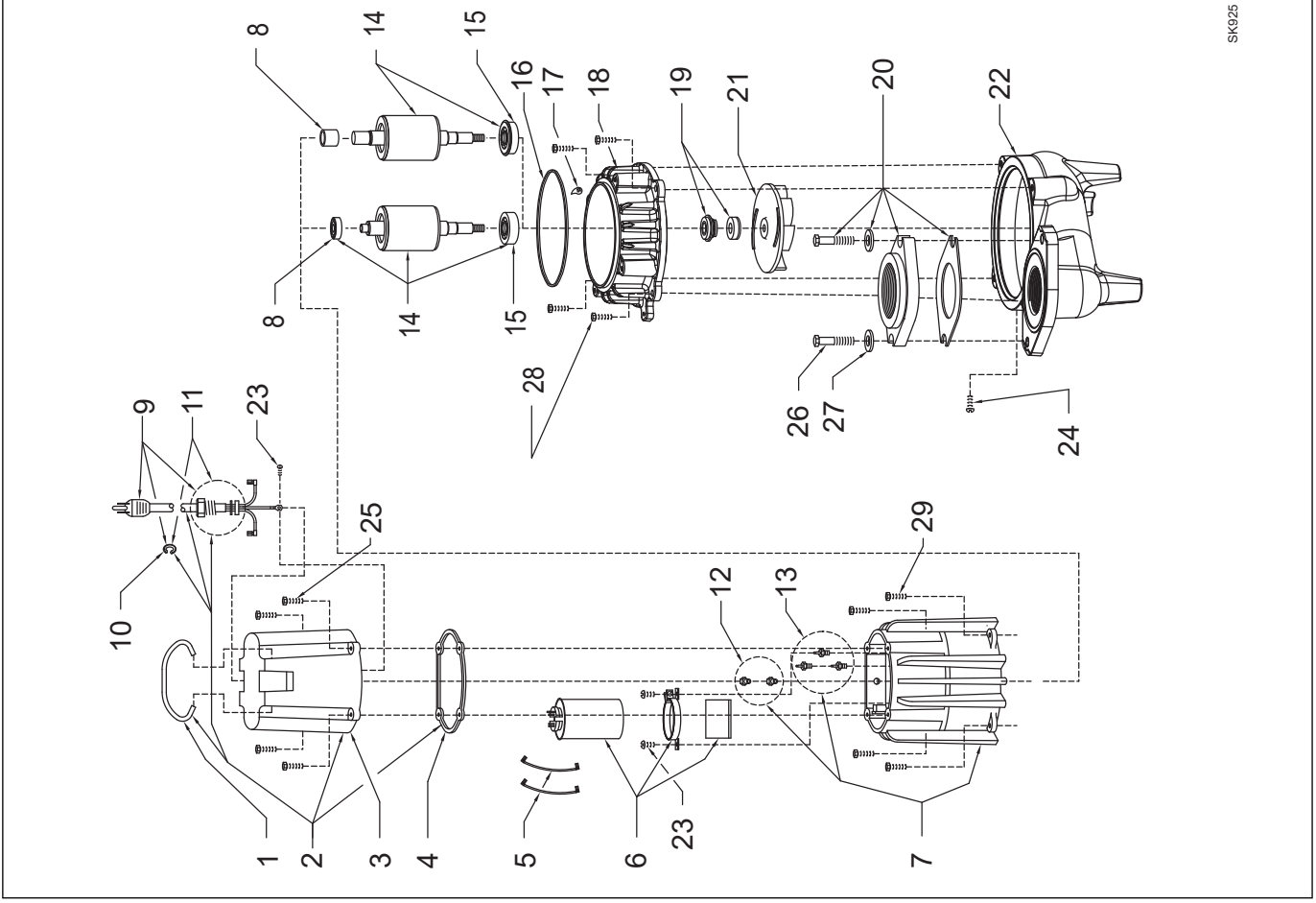
- 1) Mtr. Hsg., Brg., Stator & Term. is preassembled at the factory and must be replaced as a unit. Stator is permanently attached to the Motor Housing. Plug, Seal, Thru Wall Term. and Bearing - Upper are replaceable.
- 2) If an "X" follows Model No., or Date Mfg. on brass ID tag, consult factory for ordering of this part.
- 3) See FM0160 Parts Price Sheet for listing of parts prices.
- 4) "NA" indicates, not applicable.

**REPLACEMENT PARTS ILLUSTRATION FOR MODELS "D295":**



SK265

**REPLACEMENT PARTS ILLUSTRATION FOR MODEL "E295":**



SK925

# REPLACEMENT PARTS LIST FOR MODEL "WD295".

See page 7 for illustration.

		MODELS:		WD295-A	WD295-B	WD295-C	WD295-D	WD295-E
REF. NO.	DESCRIPTION	QTY	NOTES	3/98 thru 4/03	5/03 thru 5/08	6/08 thru 5/16	6/16 thru Current	TBD thru Current
1	• HANDLE	1		217069	217069	217069	217069	217069
2	COVER & CORD & SWITCH	1	2	011874	016113	016113	016113	016113
3	CORD TERM SEAL 20/230V/20A	1	2	015353	016115	016115	016115	016115
4	FLOAT SWITCH, TERM & SEAL	1		011876	011876	011876	011876	011876
5	• SEAL, CORD-ASM & RLF	1	2	004375	015634	015634	015634	015634
6	• SEAL, FLOAT SWITCH CORD-ASM & STR RLF	1		094032	094032	094032	094032	094032
7	CONNECTOR, WIRENUT	1		003753	003753	003753	003753	003753
8	COVER-MACH & HANDLE ASM	1		011078	016105	016105	016105	016105
9	• GASKET, CASE/COVER	1		001011	001011	001011	001011	001011
10	• WIRE PKG(5) WIRES 1.5/2HP	1		004751	004751	004751	004751	004751
11	CAPACITOR & CLAMP ASM	1		006135	006135	006135	006135	006135
12	HOUSING, MTR-& STR 230V/1PH/1.5-2HP	1	1	004993	004993	019233	019233	019233
13	BEARING, UPPER SLEEVE	1		001012	001012	N/A	N/A	N/A
	• BEARING, UPPER BALL			NA	NA	006703	006703	006703
14	• PLUG, TEST-WHITE	2		034090	034090	034090	034090	034090
15	• SEAL, THRU WALL TERM	3		003402	003402	003402	003402	003402
16	ROTOR & BRG ASM 230V/1PH/1.5-2HP	1		004994	004994	019225	019225	019225
17	• BEARING, RADIAL	1		001013	001013	010069	010069	010069
18	• SEAL, MTR HSG	1		001014	001014	001014	001014	001014
19	• OIL, DIELECTRIC-(38 OZ CAN)	1		002383	002383	011066	011066	011066
20	ADAPTER-MACH	1		001003	001003	001003	001003	001003
21	• SEAL, SHAFT	1		002430	002430	002430	002430	002430
22	IMPELLER "295" BRONZE	1		004173	004173	004173	154006	154006
	IMPELLER "295" CAST IRON			NA	NA	NA	154003	154003
23	HOUSING, PUMP-MACH	1		001005	001005	001005	001005	158241
24	FLANGE PKG 2" NPT	1		217024	217024	217024	217024	217024
	FLANGE PKG 3" NPT	1		317024	317024	317024	317024	317024
25	• SCREW, .25-20 X .75 HHM-SS	4		001916	001916	001916	001916	001916
26	• SCREW, .25-20 X 1" HHM-SS	4		007790	007790	007790	007790	007790
27	• SCREW, .313-18 X 1" HH CAP-SS	4		002608	002608	002608	002608	002608
28	• SCREW, #6-32 X .25 RHM SI TC STLGR	3		001877	001877	001877	001877	001877
29	• SCREW, .5-13 X 2 HH CAP-SS	2		001909	001909	001909	001909	001909
30	• WASHER, SS-1.25"ODX.562"IDX.078	2		002115	002115	002115	002115	002115
31	• SCREW, #10-24 X .375 RHM-SI SS	1		001883	001883	001883	001883	001883
□	REBUILD KIT	1		011877	014193	019648	019648	019648

• Items included in Rebuild Kit.

□ Not Shown in Illustration.

## NOTES FOR MODEL WD295:

- 1) Mtr. Hsg., Brg., Stator & Term. is preassembled at the factory and must be replaced as a unit. Stator is permanently attached to the Motor Housing. Plug, Seal, Thru Wall Term. and Bearing - Upper are replaceable.
- 2) If an "X" follows Model No., or Date Mfg. on brass ID tag, consult factory for ordering of this part.
- 3) See FM0160 Parts Price Sheet for listing of parts prices.
- 4) "NA" indicates, not applicable.

# REPLACEMENT PARTS LIST FOR MODEL "XE295".

See page 7 for illustration.

REF. NO.	DESCRIPTION	QTY	NOTES	MODELS:				
				XE295-A 2/85 NR thru 7/85 TR	XE295-B 8/85 UR thru 8/86 US	XE295-C 9/86 VS thru 5/87 RT	XE295-D 6/87 ST thru 3/98	XE295-E 4/98 thru 7/03
1	• HANDLE	1		217069	217069	217069	217069	217069
2	COVER & CORDS "XE189 & XE295"	1	2	004280	004280	004280	004280	011040
3	CORD TERM&SEAL 20"/230V/20A	1	2	004098	004376	004376	004376	004376
4	• SEAL,CORD-ASM&STR RLF T&B 14GA	1	2	004099	004375	004375	004375	004375
5	CLAMP,#6 AUTO-SS	1	2	001769	001769	001769	001769	NA
6	CORD TERM&SL-CTRL"XE189/XE295"	1		004281	004377	004377	004377	011042
7	SEAL,CORD-ASM&STR RLF T&B 18GA	1		002351	004378	004378	004378	094032
8	CLAMP,STRAIN RELIEF-RED	1	2	001770	001770	001770	001770	001770
9	COVER-MACH RMT PLT 14GA	1		004276	004373	004373	004373	008857
10	• GASKET,CASE/COVER	1		001011	001011	001011	001011	001011
11	• WIRE PKG(5)WIRES 1.5/2 HP	1		004174	004174	004751	004751	004751
12	RELAY 230V G1 (&G5)	1		217093	217093	217093	217093	217093
13	CAPACITOR & CLAMP ASM	1		006135	006135	006135	006135	006135
14	HOUSING,MTR-&STR230/1P/1.5-2HP	1	1	004100	004100	004100	004993	004993
15	BEARING,SLEEVE	1		001012	001012	001012	001012	001012
16	• PLUG,TEST-WHITE	2		034090	034090	034090	034090	034090
17	• SEAL,THRU WALL TERM	3		003402	003402	003402	003402	003402
18	ROTOR & BRG ASM 230/1P/1.5-2HP	1		004101	004101	004101	004994	004994
19	• BEARING,RADIAL	1		001013	001013	001013	001013	001013
20	SEAL,MTR HSG	1		001014	001014	001014	001014	001014
21	• OIL,DIELECTRIC-(38 OZ CAN)	1		002383	002383	002383	002383	002383
22	ADAPTER-MACH	1		001003	001003	001003	001003	001003
23	• SEAL,SHAFT	1		002430	002430	002430	002430	002430
24	FLANGE PKG 2"NPT	1		10-1305	10-1305	10-1305	10-1305	10-1305
	FLANGE PKG 3"NPT	1		10-1306	10-1306	10-1306	10-1306	10-1306
25	IMPELLER BR "295"	1		004173	004173	004173	004173	004173
26	HOUSING,PUMP-MACH	1		001005	001005	001005	001005	001005
27	• SCREW,.25-20 X .75 HHM-SS	4		001916	001916	001916	001916	001916
28	• SCREW,.313-18 X 1"HH CAP-SS	4		002608	002608	002608	002608	002608
29	• SCREW,#10-24 X.375 RHM-SL SS	1		001883	001883	001883	001883	001883
30	• SCREW,.5-13 X 2 HH CAP-SS	2		001909	001909	001909	001909	001909
31	• WASHER,SS-1.25"ODX.562"IDX.078	2		002115	002115	002115	002115	002115
32	• SCREW,#6-32X.25RHM SL TC STLGR	4		001877	001877	001877	001877	001877
33	• SCREW,.25-20X1" HHM-SS	4		007790	007790	007790	007790	007790
□	REBUILD KIT "189/295"	1		004179	004583	004753	004753	004753

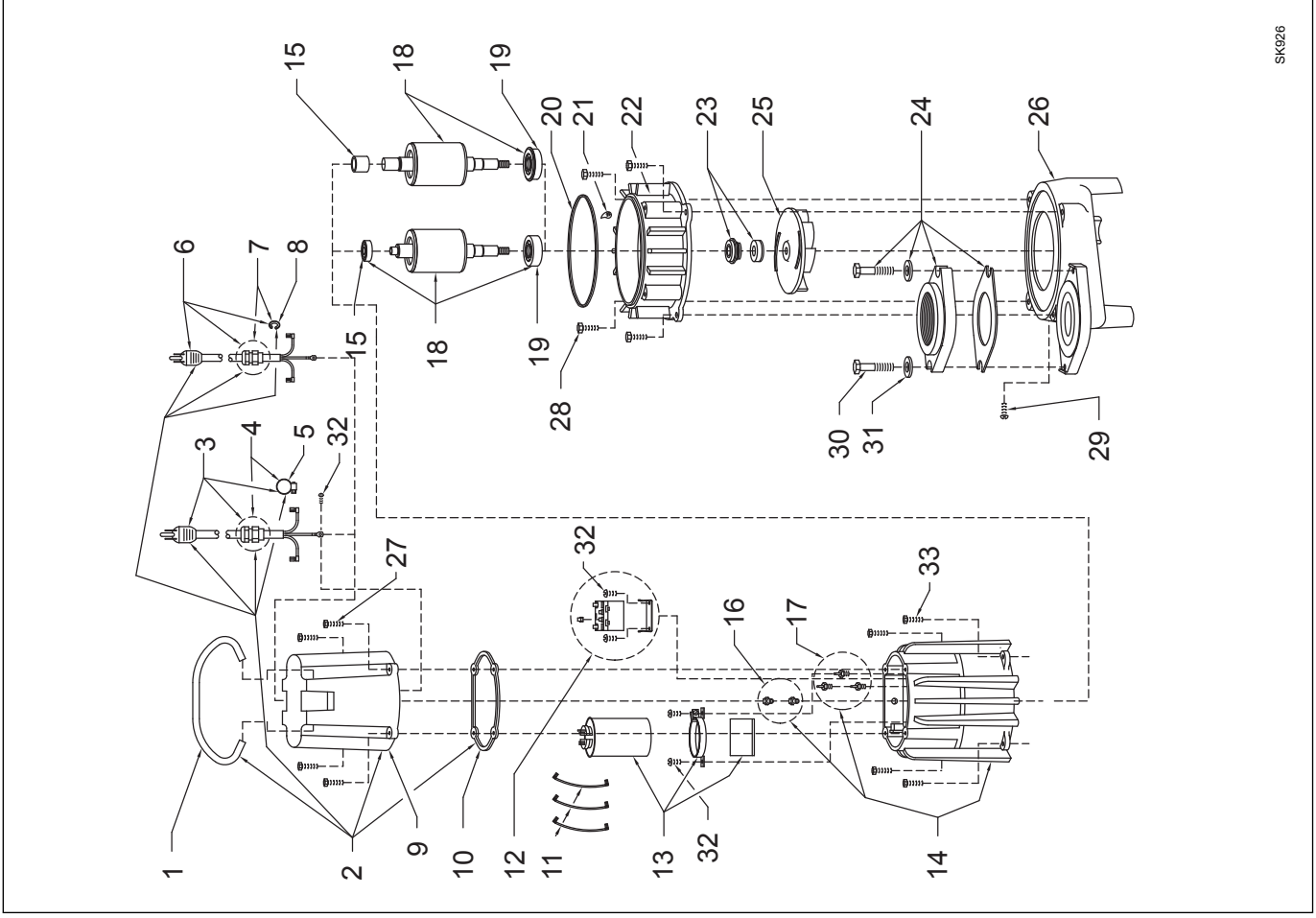
• Items included in Rebuild Kit.

□ Not Shown in Illustration.

## NOTES FOR MODEL XE295:

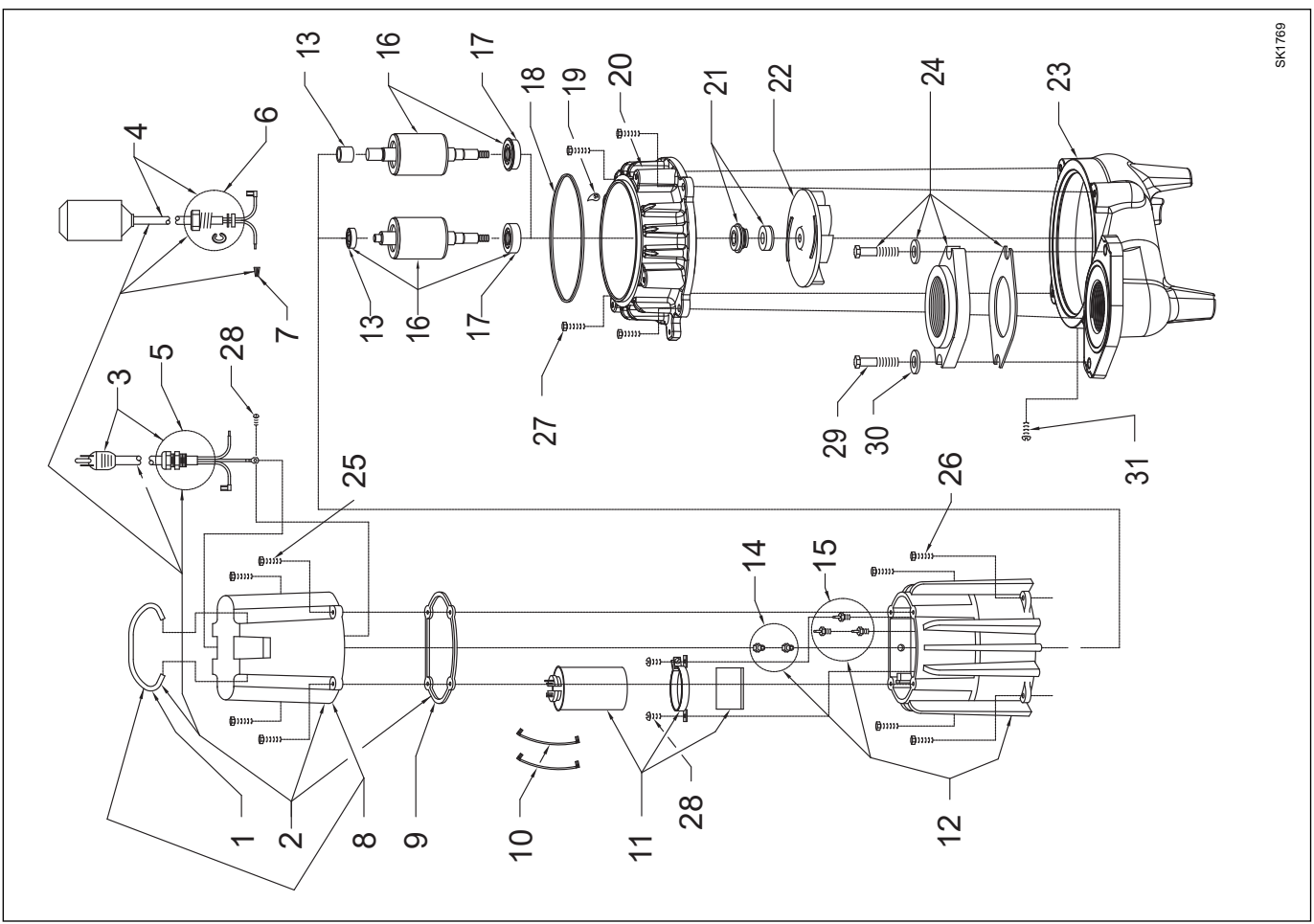
- 1) Mtr. Hsg., Brg., Stator & Term. is preassembled at the factory and must be replaced as a unit. Stator is permanently attached to the Motor Housing. Plug, Seal, Thru Wall Term. and Bearing - Upper are replaceable.
- 2) If an "X" follows Model No., or Date Mfg. on brass ID tag, consult factory for ordering of this part.
- 3) See FM0160 Parts Price Sheet for listing of parts prices.
- 4) "NA" indicates, not applicable.

REPLACEMENT PARTS ILLUSTRATION FOR MODEL "WD295"



SK926

REPLACEMENT PARTS ILLUSTRATION FOR MODEL "XE295"



SK1769



MAIL TO: P.O. BOX 16347 • Louisville, KY 40256-0347  
SHIP TO: 3649 Cane Run Road • Louisville, KY 40211-1961  
Tel: (502) 778-2731 • 1 (800) 928-PUMP

Visit our website:  
[zoellerpumps.com](http://zoellerpumps.com)

Trusted. Tested. Tough.®

---

© Copyright 2025 Zoeller® Co. All rights reserved.