

MAIL TO: P.O. BOX 16347 • Louisville, KY 40256-0347  
 SHIP TO: 3649 Cane Run Road • Louisville, KY 40211-1961  
 Tel: (502) 778-2731 • 1 (800) 928-PUMP

Visit our website:  
 zoellerpumps.com

Product information presented here reflects conditions at time of publication. Consult factory regarding discrepancies or inconsistencies.

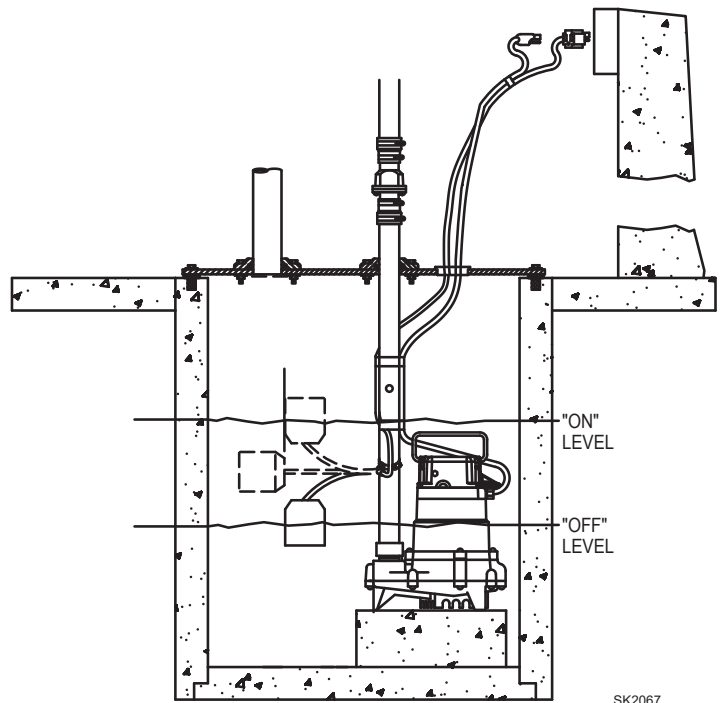
## TECHNICAL DATA SHEET

# 2000 HIGH-TEMPERATURE SERIES

*Models 2057, 2098, 2137, 2282 Submersible Dewatering Pumps*  
 Intermittent use up to 200 °F (93 °C).

### PUMP SPECIFICATIONS

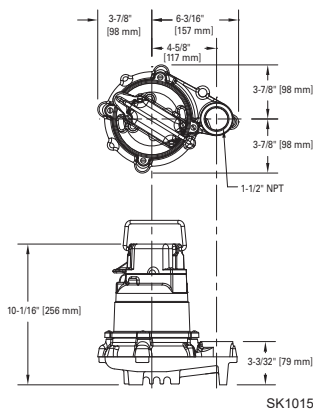
|                  |                                   |                            |
|------------------|-----------------------------------|----------------------------|
| <b>MOTOR</b>     | Horse Power                       | 3/10- 1/2                  |
|                  | Voltage                           | 115 or 230                 |
|                  | Phase                             | 1 Ph                       |
|                  | Hertz                             | 60                         |
|                  | RPM                               | 1725                       |
|                  | Amps                              | 4.7 - 10.7                 |
| <b>PUMP</b>      | Operation                         | Automatic                  |
|                  | Auto On / Off                     | Varies based on package    |
|                  | Discharge Size                    | 1-1/2" - 3"                |
|                  | Cord Length                       | 15' (5 m) automatic models |
|                  | Cord Type                         | 16-3 SJOW or SJOOW cord    |
|                  | Max. Operating Temp.              | 200 °F (93 °C)             |
|                  | Cooling                           | Oil filled                 |
| Motor Protection | High-temperature thermal overload |                            |
| <b>MATERIALS</b> | Motor Housing                     | Cast iron                  |
|                  | Pump Housing                      | Cast iron                  |
|                  | Base                              | Cast iron                  |
|                  | Upper Bearing                     | Varies based on package    |
|                  | Lower Bearing                     | Varies based on package    |
|                  | Mechanical Seals                  | Carbon and NI-resist       |
|                  | Impeller Type                     | Non-clogging vortex        |
|                  | Impeller                          | Cast iron                  |
|                  | Hardware                          | Stainless steel            |
|                  | Motor Shaft                       | AISI cold rolled steel     |
| Gasket           | Neoprene                          |                            |



SK2067

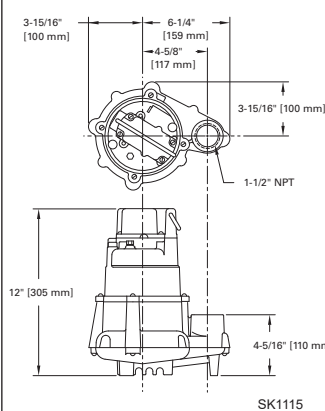


**MODEL 2057**



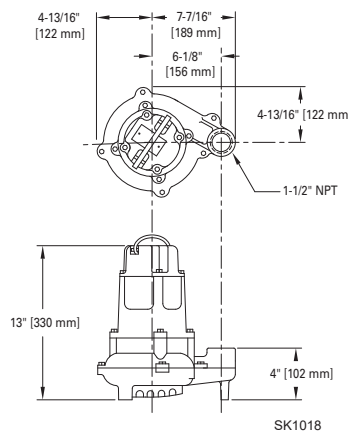
SK1015

**MODEL 2098**



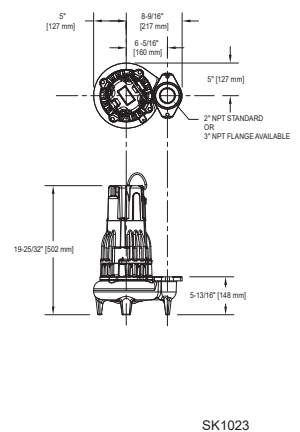
SK1115

**MODEL 2137**



SK1018

**MODEL 2282**

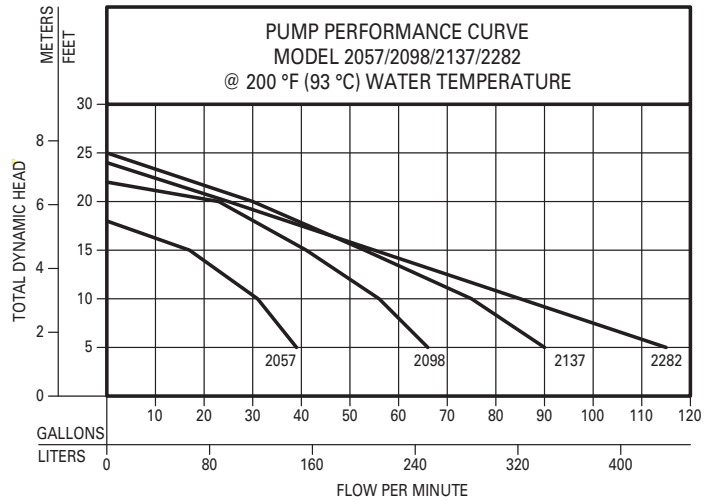


SK1023

# TOTAL DYNAMIC HEAD FLOW PER MINUTE

| MODEL          |        | 2057         |        | 2098         |        | 2137         |        | 2282         |        |
|----------------|--------|--------------|--------|--------------|--------|--------------|--------|--------------|--------|
| Feet           | Meters | Gal.         | Liters | Gal.         | Liters | Gal.         | Liters | Gal.         | Liters |
| 5              | 1.5    | 39           | 148    | 66           | 250    | 90           | 341    | 115          | 435    |
| 10             | 3.0    | 31           | 117    | 56           | 212    | 75           | 284    | 85           | 322    |
| 15             | 4.6    | 17           | 64     | 41           | 155    | 53           | 201    | 55           | 208    |
| 20             | 6.1    | --           | --     | 23           | 87     | 30           | 114    | 25           | 95     |
| Shut-off Head: |        | 18 ft.(5.5m) |        | 22 ft.(6.7m) |        | 25 ft.(7.6m) |        | 24 ft.(7.3m) |        |

- 10' (3 m) cord, high temperature, adjustable, float-operated, mechanical switch mounts directly to the discharge pipe (BN & BE Models)
- Adjustable float switch is not intended for continuous contact with 200 °F (93 °C) water



009789

| Model  | MODEL COMPARISON |       |    |      |      |    |     |    |
|--------|------------------|-------|----|------|------|----|-----|----|
|        | Mode             | Volts | Ph | Amps | HP   | Hz | Lbs | Kg |
| BN2057 | Auto             | 115   | 1  | 9.7  | 3/10 | 60 | 28  | 13 |
| BE2057 | Auto             | 230   | 1  | 4.8  | 3/10 | 60 | 28  | 13 |
| BN2098 | Auto             | 115   | 1  | 9.4  | 1/2  | 60 | 39  | 18 |
| BE2098 | Auto             | 230   | 1  | 4.7  | 1/2  | 60 | 39  | 18 |
| BN2137 | Auto             | 115   | 1  | 10.7 | 1/2  | 60 | 46  | 21 |
| BE2137 | Auto             | 230   | 1  | 5.8  | 1/2  | 60 | 46  | 21 |
| BN2282 | Auto             | 115   | 1  | 10.3 | 1/2  | 60 | 84  | 38 |
| BE2282 | Auto             | 230   | 1  | 5.0  | 1/2  | 60 | 84  | 38 |

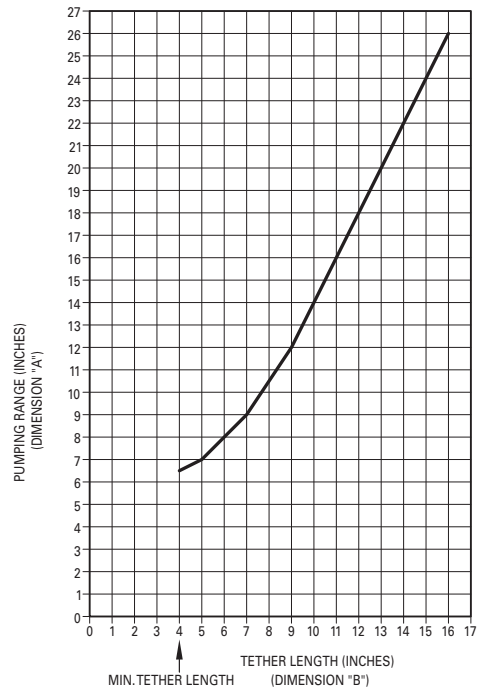
**CAUTION** All installation of controls, protection devices and wiring should be done by a qualified licensed electrician. All electrical and safety codes should be followed including the most recent National Electrical Code (NEC) and the Occupational Safety and Health Act (OSHA).

## SWITCH DATA

- 16-gauge, 2 conductor SOOW switch cordage
- Float housing constructed of high-impact ABS
- 13 AMPS (max) steady state
- Intermittent, direct contact with up to 200 °F (93 °C) water
- Turbulence-resistant float switch
- Adjustable pumping range (see chart)
- Unlimited, repetitive exposures are permissible for applications below 180 °F (82 °C)

| Tether "B"    | Range "A"       |
|---------------|-----------------|
| 4" (10.2 cm)  | 6.5" (16.5 cm)  |
| 6" (15.2 cm)  | 8" (20.3 cm)    |
| 8" (20.3 cm)  | 10.5" (26.7 cm) |
| 10" (25.4 cm) | 14" (35.6 cm)   |
| 12" (30.5 cm) | 18" (45.7 cm)   |
| 14" (35.6 cm) | 22" (55.9 cm)   |
| 16" (40.6 cm) | 26" (66.0 cm)   |

SK2175B



SK2175A

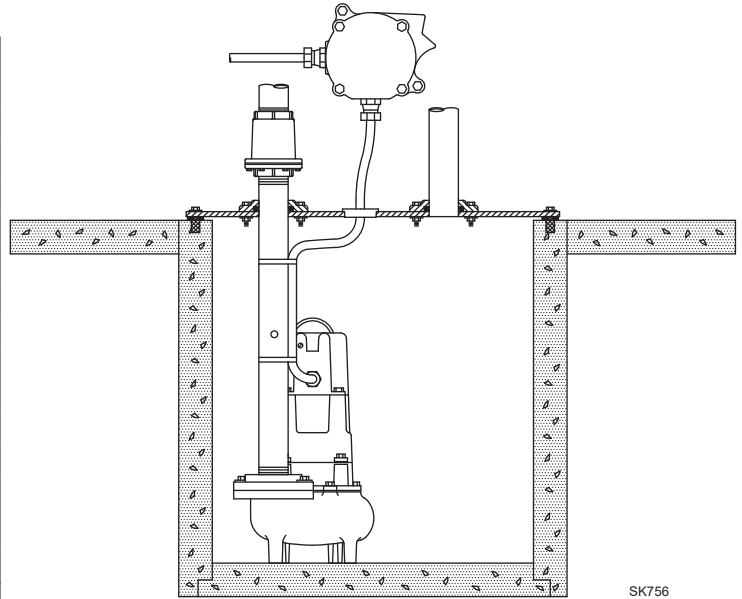


## TECHNICAL DATA SHEET 3000 HIGH-TEMPERATURE SERIES

*Models 3098, 3137, 3139, 3282 Submersible Dewatering Pumps*  
Continuous contact up to 200 °F (93 °C).

### PUMP SPECIFICATIONS

|                  |                      |   |
|------------------|----------------------|---|
| <b>MOTOR</b>     | Horse Power          | 1/2   |
|                  | Voltage              | 115 or 230  |
|                  | Phase                | 1 Ph  |
|                  | Hertz                | 60  |
|                  | RPM                  | 1725 or 3450  |
|                  | Amps                 | 4.7 - 15.5  |
| <b>PUMP</b>      | Operation            | Automatic or nonautomatic                                 |
|                  | Auto On / Off        | Varies based on package                                   |
|                  | Discharge Size       | 1-1/2" - 3"   |
|                  | Conduit Length       | 3' (1 m) automatic models<br>6' (2 m) nonautomatic models |
|                  | Cord Length          | 15' automatic models (3098, 3137, 3282)                   |
|                  | Cord Type            | 16-3 SOOW cord  |
|                  | Max. Operating Temp. | 200 °F (93 °C)  |
|                  | Cooling              | Oil filled  |
|                  | Motor Protection     | High-temperature thermal overload                         |
| <b>MATERIALS</b> | Motor Housing        | Cast iron   |
|                  | Pump Housing         | Cast iron   |
|                  | Base                 | Cast iron   |
|                  | Upper Bearing        | Vary based on package                                     |
|                  | Lower Bearing        | Vary based on package                                     |
|                  | Mechanical Seals     | Carbon and NI-resist w/ Viton® elastomers                 |
|                  | Impeller Type        | Non-clogging vortex                                       |
|                  | Impeller             | Cast iron or bronze                                       |
|                  | Hardware             | Stainless steel   |
|                  | Motor Shaft          | AISI cold rolled steel                                    |
|                  | Gasket               | High-temperature Viton®                                   |



SK756

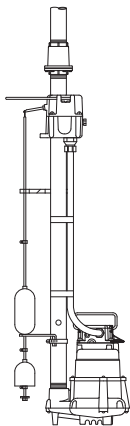
Nonautomatic model shown

**CAUTION:** Check valves used in high-temperature service must be all metal type check valves. The basin material must be able to withstand the sustained elevated temperature anticipated.

- High temperature liquid-tight conduit used with high temperature cable
- High temperature motor windings
- High temperature Viton® gaskets
- High temperature thermal overload protected
- Float operated mechanical switch box which is mounted on the discharge pipe above the operating level (Switch box is not intended to come in continuous contact with 200 °F [93 °C] water)

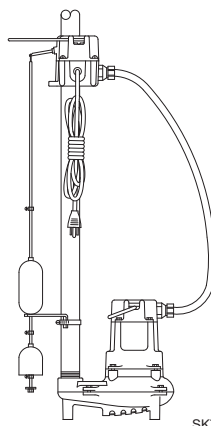


**MODEL 3098**



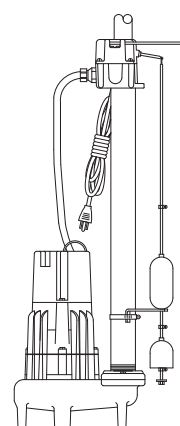
SK754

**MODEL 3137**



SK738

**MODEL 3282**

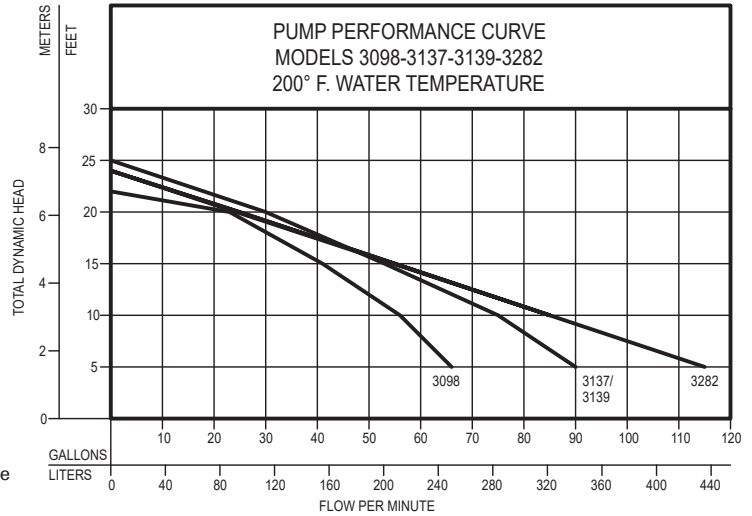


SK2170

# TOTAL DYNAMIC HEAD FLOW PER MINUTE

| MODEL          |        | 3098         |        | 3137/3139    |        | 3282         |        |
|----------------|--------|--------------|--------|--------------|--------|--------------|--------|
| Feet           | Meters | Gal.         | Liters | Gal.         | Liters | Gal.         | Liters |
| 5              | 1.5    | 66           | 250    | 90           | 341    | 115          | 435    |
| 10             | 3.0    | 56           | 212    | 75           | 284    | 85           | 322    |
| 15             | 4.6    | 41           | 155    | 53           | 201    | 55           | 208    |
| 20             | 6.1    | 23           | 87     | 30           | 114    | 25           | 95     |
| Shut-off Head: |        | 21 ft.(6.4m) |        | 25 ft.(7.6m) |        | 24 ft.(7.3m) |        |

009789



### NOTES:

1. Cable from disconnect to control box (customer furnished) should be rated 221 °F (105 °C).
2. Nonautomatic models available with 6' (1.8 m) of High Temperature liquid-tight conduit cable [200 °F (93 °C)] and a watertight junction box for outdoor or above the waterline installation.
3. The maximum "On" levels can be extended for automatic pumps by adding additional cord and conduit length. Float rods are extended in 1' (0.3 m) increments. Order an extender kit P/N 10-0656 for each additional foot (0.3 m) of length desired.

**⚠ CAUTION** Check valves used in High Temperature service must be all metal swing type check valves.

**⚠ CAUTION** The basin material must be able to withstand the sustained, elevated temperature anticipated.

| Model | MODEL COMPARISON |       |    |      |     |    |     |    |
|-------|------------------|-------|----|------|-----|----|-----|----|
|       | Mode             | Volts | Ph | Amps | HP  | Hz | Lbs | Kg |
| M3098 | Auto             | 115   | 1  | 9.4  | 1/2 | 60 | 52  | 24 |
| N3098 | Non              | 115   | 1  | 9.4  | 1/2 | 60 | 49  | 22 |
| D3098 | Auto             | 230   | 1  | 4.7  | 1/2 | 60 | 52  | 24 |
| E3098 | Non              | 230   | 1  | 4.7  | 1/2 | 60 | 49  | 22 |
| M3137 | Auto             | 115   | 1  | 10.7 | 1/2 | 60 | 57  | 26 |
| N3137 | Non              | 115   | 1  | 10.7 | 1/2 | 60 | 53  | 24 |
| D3137 | Auto             | 230   | 1  | 5.8  | 1/2 | 60 | 57  | 26 |
| E3137 | Non              | 230   | 1  | 5.8  | 1/2 | 60 | 53  | 24 |
| M3139 | Auto             | 115   | 1  | 10.7 | 1/2 | 60 | 60  | 27 |
| N3139 | Non              | 115   | 1  | 10.7 | 1/2 | 60 | 56  | 25 |
| D3139 | Auto             | 230   | 1  | 5.8  | 1/2 | 60 | 60  | 27 |
| E3139 | Non              | 230   | 1  | 5.8  | 1/2 | 60 | 56  | 25 |
| M3282 | Auto             | 115   | 1  | 10.3 | 1/2 | 60 | 90  | 41 |
| N3282 | Non              | 115   | 1  | 10.3 | 1/2 | 60 | 86  | 39 |
| D3282 | Auto             | 230   | 1  | 5.0  | 1/2 | 60 | 90  | 41 |
| E3282 | Non              | 230   | 1  | 5.0  | 1/2 | 60 | 86  | 39 |

NOTE: Model 3139 all bronze construction

**⚠ CAUTION** All installation of controls, protection devices and wiring should be done by a qualified licensed electrician. All electrical and safety codes should be followed including the most recent National Electrical Code (NEC) and the Occupational Safety and Health Act (OSHA).