

MAIL TO: P.O. BOX 16347 • Louisville, KY 40256-0347  
 SHIP TO: 3649 Cane Run Road • Louisville, KY 40211-1961  
 Tel: (502) 778-2731 • 1 (800) 928-PUMP

Visit our website:  
 zoellerpumps.com

Product information presented here reflects conditions at time of publication. Consult factory regarding discrepancies or inconsistencies.

# REPLACEMENT PARTS LIST FOR GRINDER MODELS:

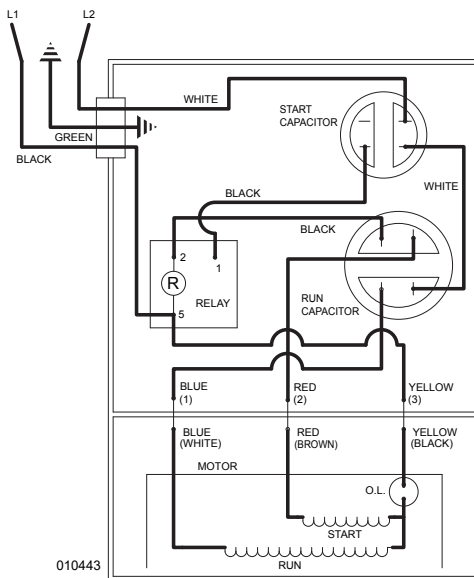
N818 NONAUTOMATIC 115V 1PH  
 WM818 AUTOMATIC w/wired float switch 115V 1PH  
 E1818 NONAUTOMATIC 200-230V 1PH  
 WDH818 AUTOMATIC w/wired float switch 200-230V 1PH

| Obsolete Models | Auto/Non     | Volts | PH  | Obsolete Date |
|-----------------|--------------|-------|-----|---------------|
| E818            | Nonautomatic | 230   | 1PH | 6/1/2024      |
| I818            | Nonautomatic | 200   | 1PH | 2/1/2024      |
| WD818           | Automatic    | 230   | 1PH | 6/1/2024      |
| WH818           | Automatic    | 200   | 1PH | 2/1/2024      |
| J818            | Nonautomatic | 200   | 3PH | 10/1/2023     |
| F818            | Nonautomatic | 230   | 3PH | 10/1/2023     |
| G818            | Nonautomatic | 460   | 3PH | 10/1/2023     |
| BA818           | Nonautomatic | 575   | 3PH | 10/1/2023     |

Consult factory for all other models

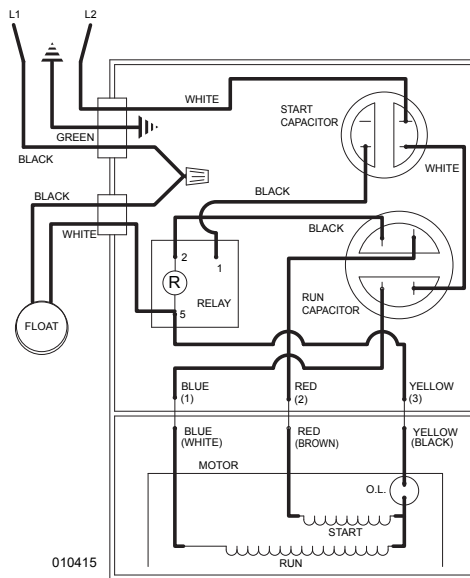
**TO ORDER REPLACEMENT PARTS:**  
 PLEASE FURNISH THE FOLLOWING INFORMATION:

- Model Number.
- Part Number of Pump.
- Part Number and Description of part.



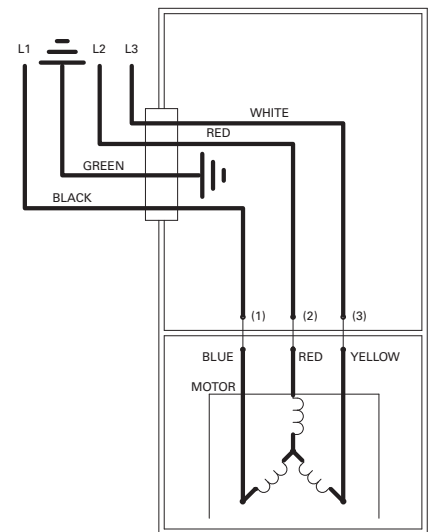
010443

WIRING DIAGRAM FOR MODELS  
 "N818", "E818", "E1818", "I818"  
 All Revisions



010415

WIRING DIAGRAM FOR MODELS  
 "WM818", "WD818", "WDH818", "WH818"  
 All Revisions



006848

WIRING DIAGRAM FOR MODELS  
 "J818", "F818",  
 "G818", and "BA818" All Revisions  
 09/17 thru 10/23

**REPLACEMENT PARTS LIST FOR MODELS “N818”, “E818”, “I818” and “E1818”**

See back page for illustration.

| REF NO. | DESCRIPTION                               | MODELS: |      | N818-A             | E818-A           | E818-B           | I818-A           | E1818-C            |
|---------|---|---------|------|--------------------|------------------|------------------|------------------|--------------------|
|         |   | QTY     | NOTE | 11/16 thru Current | 11/16 thru 09/18 | 10/18 thru 06/24 | 11/16 thru 02/24 | 01/25 thru Current |
| 1       | • HANDLE                                  | 1       |      | 217069             | 217069           | 217069           | 217069           | 217069             |
| 2       | COVER & CORD 115V/1PH/NONAUTO/"818"       | 1       | 3    | 154280             | 154296           | 154296           | 015609           | 015609             |
| 3       | COVER-MACH & HANDLE ASM                   | 1       | 3    | 015612             | 015612           | 015612           | 015612           | 015612             |
| 4       | SWITCH,FLT-TERM & SEAL                    | 0       |      | N/A                | N/A              | N/A              | N/A              | N/A                |
| 5       | SEAL,CORD-FLOAT SWITCH                    | 0       |      | N/A                | N/A              | N/A              | N/A              | N/A                |
| 6       | CORD TERM&SEAL                            | 1       | 3    | 154289             | 154297           | 154297           | 015615           | 015615             |
| 7       | • SEAL,CORD-ASM&STR RLF                   | 1       | 3    | 015634             | 015634           | 015634           | 015634           | 015634             |
| 8       | • GASKET,CASE/COVER                       | 1       |      | 001011             | 001011           | 001011           | 001011           | 001011             |
| 9       | • WIRE PKG (6 WIRES)                      | 1       |      | 010833             | 010833           | 010833           | 010833           | 010833             |
| 10      | CAPACITOR-START & CLAMP ASM.              | 1       |      | 010829             | 010829           | 010829           | 010829           | 158723             |
| 11      | CAPACITOR-RUN & CLAMP ASM                 | 1       |      | 010830             | 010830           | 010830           | 010830           | 010830             |
| 12      | RELAY,MOTOR STARTING                      | 1       |      | 154312             | 154312           | 154312           | 154312           | 014601             |
| 13      | • PLUG,TEST                               | 2       |      | 015023             | 015023           | 015023           | 015023           | 015023             |
| 14      | • SEAL,THRU WALL TERM                     | 3       |      | 003402             | 003402           | 003402           | 003402           | 003402             |
| 15      | HOUSING,MTR-&STR                          | 1       | 4    | 154290             | 018235           | 154298           | 154299           | 018231             |
| 16      | • BEARING,6201                            |         |      | 006703             | 006703           | 006703           | 006703           | 006703             |
| 17      | KEY                                       | 1       |      | 011711             | 011711           | 011711           | 011711           | 011711             |
| 18      | ROTOR & BRG ASM/1PH "818"                 | 1       |      | 154291             | 018230           | 154291           | 154291           | 018230             |
| 19      | • BEARING,7303                            | 1       |      | 009861             | 009861           | 009861           | 009861           | 009861             |
| 20      | • SEAL,MTR HSG                            | 1       |      | 001014             | 001014           | 001014           | 001014           | 001014             |
| 21      | • OIL,DIELECTRIC                          | 1       |      | 018233             | 018233           | 018233           | 018233           | 018233             |
| 22      | ADAPTER-MACH                              | 1       |      | 001003             | 001003           | 001003           | 001003           | 001003             |
| 23      | • SEAL,SHAFT                              | 1       |      | 002430             | 002430           | 002430           | 002430           | 002430             |
| 24      | WASHER,SUPPORT-SS                         | 1       |      | 010863             | 010863           | 010863           | 010863           | 010863             |
| 25      | COLLAR,SHAFT                              | 1       |      | 010409             | 010409           | 010409           | 010409           | 010409             |
| 26      | IMPELLER-PLASTIC "818"                    | 1       |      | 153909             | 153909           | 153909           | 153909           | 153909             |
| 27      | HOUSING,PUMP-MACH "818"                   | 1       |      | 154088             | 154088           | 154088           | 154088           | 154088             |
| 28      | CUTTER & DISC ASM,"818"                   | 1       |      | 154292             | 154292           | 154292           | 154292           | 154292             |
| 29      | CUTTER SHIM SET                           | 1       |      | 012632             | 012632           | 012632           | 012632           | 012632             |
| 30      | WASHER,RETAINING                          | 1       |      | 008533             | 008533           | 008533           | 008533           | 008533             |
| 31      | CONNECTOR,WIRENUT 14-16GA                 | 0       |      | N/A                | N/A              | N/A              | N/A              | N/A                |
| 32      | • SCREW,.25-20X.75" SH CAP SS             | 6       |      | 007768             | 007768           | 007768           | 007768           | 007768             |
| 33      | • SCREW,.25-20 X .75LG HH SS (NYLOCK)     | 1       |      | 009545             | 009545           | 009545           | 009545           | 009545             |
| 34      | • SCREW,.313-18 X 1" HH CAP-SS            | 4       |      | 002608             | 002608           | 002608           | 002608           | 002608             |
| 35      | • SCREW,.25-20X1" HHM-S.S.                | 4       |      | 007790             | 007790           | 007790           | 007790           | 007790             |
| 36      | • SCREW,.25-20X.75 HHM-SS/INDENTED/UNSLOT | 4       |      | 001916             | 001916           | 001916           | 001916           | 001916             |
| 37      | • SCREW,#6-32X.25RHM SL TC STLGR          | 5       |      | 001877             | 001877           | 001877           | 001877           | 001877             |
| 38      | • SPRING,BEARING PRELOAD                  | 1       |      | 017192             | 017192           | 017192           | 017192           | 017192             |
| 39      | • SCREW,#6-32X.375RHM SL TC ZINC PLATED   | 1       |      | 019421             | 019421           | 019421           | 019421           | 019421             |
| 40      | DISC, CUTTER                              | 1       |      | 153203             | 153203           | 153203           | 153203           | 153203             |
| 41      | CUTTER & SHIM ASM/2BLADE/.75" SCREW       | 1       |      | 154295             | 154295           | 154295           | 154295           | 154295             |
| 42      | INSULATOR FLAG TERMINAL                   | 6       |      | 001797             | 001797           | 001797           | 001797           | 001797             |
| □       | REBUILD KIT                               | 1       |      | 018234             | 018234           | 018234           | 018234           | 018234             |

• Items included in Rebuild Kit.

□ Not Shown in Illustration.

**REPLACEMENT PARTS LIST FOR MODELS “WM818”, “WD818”, “WH818” and “WDH818”**

| REF NO. | DESCRIPTION                                   | MODELS: |      | WM818-A            | WD818-A         | WD818-B          | WH818-A          | WDH818-C           |
|---------|---|---------|------|--------------------|-----------------|------------------|------------------|--------------------|
|         |   | QTY     | NOTE | 11/16 thru Current | 11/16 thru 9/18 | 10/18 thru 06/24 | 11/16 thru 02/24 | 01/25 thru Current |
| 1       | • HANDLE                                      | 1       |      | 217069             | 217069          | 217069           | 217069           | 217069             |
| 2       | COVER,CORD & FLT "818"                        | 1       |      | 154300             | 154301          | 154301           | 015611           | 015611             |
| 3       | COVER-MACH & HANDLE ASM                       | 1       | 3    | 015613             | 015613          | 015613           | 015613           | 015613             |
| 4       | SWITCH,FLT-TERM & SEAL                        | 1       | 3    | 010827             | 010827          | 010827           | 011880           | 011880             |
| 5       | • SEAL,CORD-FLOAT SWITCH                      | 1       |      | 011065             | 011065          | 011065           | 011071           | 011071             |
| 6       | CORD TERM & SEAL                              | 1       | 3    | 154304             | 154308          | 154308           | 015633           | 015633             |
| 7       | • SEAL,CORD-ASM&STR RLF                       | 1       | 3    | 015634             | 015634          | 015634           | 015634           | 015634             |
| 8       | • GASKET,CASE/COVER                           | 1       |      | 001011             | 001011          | 001011           | 001011           | 001011             |
| 9       | • WIRE PKG (6 WIRES)                          | 1       |      | 010833             | 010833          | 010833           | 010833           | 010833             |
| 10      | CAPACITOR-START & CLAMP ASM.                  | 1       |      | 010829             | 010829          | 010829           | 010829           | 158723             |
| 11      | CAPACITOR-RUN & CLAMP ASM                     | 1       |      | 010830             | 010830          | 010830           | 010830           | 010830             |
| 12      | RELAY,MOTOR STARTING                          | 1       |      | 154312             | 154312          | 154312           | 154312           | 014601             |
| 13      | • PLUG,TEST                                   | 2       |      | 015023             | 015023          | 015023           | 015023           | 015023             |
| 14      | • SEAL,THRU WALL TERM                         | 3       |      | 003402             | 003402          | 003402           | 003402           | 003402             |
| 15      | HOUSING,MTR-&STR                              | 1       | 4    | 154290             | 018235          | 154298           | 154299           | 018231             |
| 16      | • BEARING,6201                                |         |      | 006703             | 006703          | 006703           | 006703           | 006703             |
| 17      | KEY   | 1       |      | 011711             | 011711          | 011711           | 011711           | 011711             |
| 18      | ROTOR & BRG ASM/1PH "818"                     | 1       |      | 154291             | 018230          | 154291           | 154291           | 018230             |
| 19      | • BEARING,7303                                | 1       |      | 009861             | 009861          | 009861           | 009861           | 009861             |
| 20      | • SEAL,MTR HSG                                | 1       |      | 001014             | 001014          | 001014           | 001014           | 001014             |
| 21      | • OIL,DIELECTRIC                              | 1       |      | 018233             | 018233          | 018233           | 018233           | 018233             |
| 22      | ADAPTER-MACH                                  | 1       |      | 001003             | 001003          | 001003           | 001003           | 001003             |
| 23      | • SEAL,SHAFT                                  | 1       |      | 002430             | 002430          | 002430           | 002430           | 002430             |
| 24      | WASHER,SUPPORT-SS                             | 1       |      | 010863             | 010863          | 010863           | 010863           | 010863             |
| 25      | COLLAR,SHAFT                                  | 1       |      | 010409             | 010409          | 010409           | 010409           | 010409             |
| 26      | IMPELLER-PLASTIC "818"                        | 1       |      | 153909             | 153909          | 153909           | 153909           | 153909             |
| 27      | HOUSING,PUMP-MACH "818"                       | 1       |      | 154088             | 154088          | 154088           | 154088           | 154088             |
| 28      | CUTTER & DISC ASM./"818"                      | 1       |      | 154292             | 154292          | 154292           | 154292           | 154292             |
| 29      | CUTTER SHIM SET                               | 1       |      | 012632             | 012632          | 012632           | 012632           | 012632             |
| 30      | WASHER,RETAINING                              | 1       |      | 008533             | 008533          | 008533           | 008533           | 008533             |
| 31      | • CONNECTOR,WIRENUT 14-16GA                   | 1       |      | 003753             | 003753          | 003753           | 003753           | 003753             |
| 32      | • SCREW,.25-20X.75" SH CAP SS                 | 6       |      | 007768             | 007768          | 007768           | 007768           | 007768             |
| 33      | • SCREW,.25-20 X .75LG HH SS (NYLOCK)         | 1       |      | 009545             | 009545          | 009545           | 009545           | 009545             |
| 34      | • SCREW,.313-18 X 1"HH CAP-SS                 | 4       |      | 002608             | 002608          | 002608           | 002608           | 002608             |
| 35      | • SCREW,.25-20X1" HHM-S.S.                    | 4       |      | 007790             | 007790          | 007790           | 007790           | 007790             |
| 36      | • SCREW,.25-20X.75 HHM-SS/ INDENTED/UNSLOTTED | 4       |      | 001916             | 001916          | 001916           | 001916           | 001916             |
| 37      | • SCREW,#6-32X.25RHM SLTC STLGR               | 5       |      | 001877             | 001877          | 001877           | 001877           | 001877             |
| 38      | • SPRING,BEARING PRELOAD                      | 1       |      | 017192             | 017192          | 017192           | 017192           | 017192             |
| 39      | • SCREW,#6-32X.375RHM SLTC ZINC               | 1       |      | 019421             | 019421          | 019421           | 019421           | 019421             |
| 40      | DISC, CUTTER                                  | 1       |      | 153203             | 153203          | 153203           | 153203           | 153203             |
| 41      | CUTTER & SHIM ASM/2BLADE/.75" SCREW           | 1       |      | 154295             | 154295          | 154295           | 154295           | 154295             |
| 42      | INSULATOR FLAG TERMINAL                       | 6       |      | 001797             | 001797          | 001797           | 001797           | 001797             |
| □       | REBUILD KIT                                   | 1       |      | 018234             | 018234          | 018234           | 018234           | 018234             |

• Items included in Rebuild Kit.

□ Not Shown in Illustration.

# REPLACEMENT PARTS LIST FOR MODELS "J818", "F818", "G818" and "BA818".

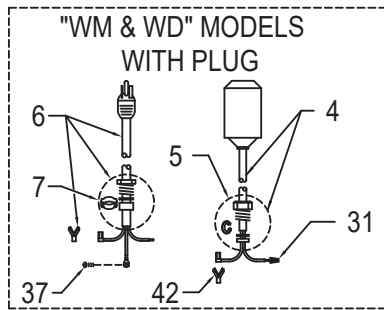
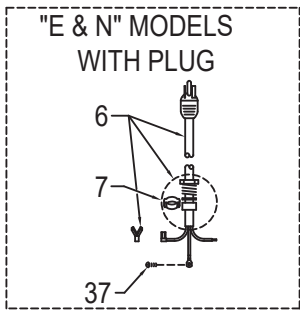
| REF NO. | DESCRIPTION                                    | QTY | NOTE | MODELS:          |                  |                  |                  |
|---------|--|-----|------|------------------|------------------|------------------|------------------|
|         |  |     |      | J818-A           | F818-A           | G818-A           | BA818-A          |
|         |  |     |      | 09/17 thru 10/23 | 09/17 thru 10/23 | 09/17 thru 10/23 | 09/17 thru 10/23 |
| 1       | • HANDLE                                       | 1   |      | 217069           | 217069           | 217069           | 217069           |
| 2       | COVER AND CORD 3PH/NONAUTO "818"               | 1   |      | 154685           | 154685           | 154685           | 154685           |
| 3       | COVER-MACH & HANDLE ASM                        | 1   |      | 015612           | 015612           | 015612           | 015612           |
| 4       | SWITCH, FLT-TERM & SEAL                        | 0   |      | N/A              | N/A              | N/A              | N/A              |
| 5       | SEAL, CORD-FLOAT SWITCH                        | 0   |      | N/A              | N/A              | N/A              | N/A              |
| 6       | CORD TERM & SEAL                               | 1   |      | 014177           | 014177           | 014177           | 014177           |
| 7       | • SEAL, CORD-ASM & STR RLF                     | 1   |      | 015634           | 015634           | 015634           | 015634           |
| 8       | • GASKET, CASE/COVER                           | 1   |      | 001011           | 001011           | 001011           | 001011           |
| 9       | • WIRE PKG (6 WIRES)                           | 0   |      | N/A              | N/A              | N/A              | N/A              |
| 10      | CAPACITOR-START & CLAMP ASM                    | 0   |      | N/A              | N/A              | N/A              | N/A              |
| 11      | CAPACITOR-RUN & CLAMP ASM                      | 0   |      | N/A              | N/A              | N/A              | N/A              |
| 12      | RELAY, VOLTAGE SENSING                         | 0   |      | N/A              | N/A              | N/A              | N/A              |
| 13      | • PLUG, TEST                                   | 2   |      | 015023           | 015023           | 015023           | 015023           |
| 14      | • SEAL, THRU WALL TERM                         | 3   |      | 003402           | 003402           | 003402           | 003402           |
| 15      | HOUSING, MTR & STR                             | 1   | 4    | 154676           | 154677           | 154679           | 154670           |
| 16      | • BEARING, 6201                                | 1   |      | 006703           | 006703           | 006703           | 006703           |
| 17      | KEY  | 1   |      | 011711           | 011711           | 011711           | 011711           |
| 18      | ROTOR & BRG ASM 3PH "818"                      | 1   |      | 154698           | 154698           | 154698           | 154698           |
| 19      | • BEARING, 7303                                | 1   |      | 009861           | 009861           | 009861           | 009861           |
| 20      | • SEAL, MTR HSG                                | 1   |      | 001014           | 001014           | 001014           | 001014           |
| 21      | • OIL, DIALECTRIC                              | 1   |      | 018233           | 018233           | 018233           | 018233           |
| 22      | ADAPTER-MACH                                   | 1   |      | 001003           | 001003           | 001003           | 001003           |
| 23      | • SEAL, SHAFT                                  | 1   |      | 002430           | 002430           | 002430           | 002430           |
| 24      | WASHER, SUPPORT-SS                             | 1   |      | 010863           | 010863           | 010863           | 010863           |
| 25      | COLLAR, SHAFT                                  | 1   |      | 010409           | 010409           | 010409           | 010409           |
| 26      | IMPELLER-PLASTIC "818"                         | 1   |      | 153909           | 153909           | 153909           | 153909           |
| 27      | HOUSING, PUMP-MACH "818"                       | 1   |      | 154088           | 154088           | 154088           | 154088           |
| 28      | CUTTER & DISC ASM "818"                        | 1   |      | 154292           | 154292           | 154292           | 154292           |
| 29      | CUTTER SHIM SET                                | 1   |      | 012632           | 012632           | 012632           | 012632           |
| 30      | WASHER, RETAINING                              | 1   |      | 008533           | 008533           | 008533           | 008533           |
| 31      | CONNECTOR,WIRENUT 14-16GA                      | 0   |      | N/A              | N/A              | N/A              | N/A              |
| 32      | • SCREW, .25-20 X .75" SH CAP SS               | 6   |      | 007768           | 007768           | 007768           | 007768           |
| 33      | • SCREW, .25-20 X .75" HH SS (NYLOCK)          | 1   |      | 009545           | 009545           | 009545           | 009545           |
| 34      | • SCREW, .313-18 X 1" HH CAP SS                | 4   |      | 002608           | 002608           | 002608           | 002608           |
| 35      | • SCREW, .25-20 X 1" HHM SS                    | 4   |      | 007790           | 007790           | 007790           | 007790           |
| 36      | • SCREW, .25-20 X .75" HHM SS/INDENTED/UNSLLOT | 4   |      | 001916           | 001916           | 001916           | 001916           |
| 37      | • SCREW, #6-32X.25RHM SL TC STLGR              | 1   |      | 001877           | 001877           | 001877           | 001877           |
| 38      | • SPRING, BEARING PRELOAD                      | 1   |      | 017192           | 017192           | 017192           | 017192           |
| 39      | • SCREW, #6-32X.375RHM SL TC ZINC PLATED       | 0   |      | N/A              | N/A              | N/A              | N/A              |
| 40      | DISC, CUTTER                                   | 1   |      | 153203           | 153203           | 153203           | 153203           |
| 41      | CUTTER & SHIM ASM/2 BLADE/.75" SCREW           | 1   |      | 154295           | 154295           | 154295           | 154295           |
| 42      | INSULATOR FLAG TERMINAL                        | 0   |      | N/A              | N/A              | N/A              | N/A              |
|         | REBUILD KIT                                    | 1   |      | 018234           | 018234           | 018234           | 018234           |

See back page for illustration.

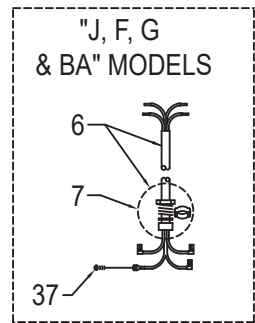
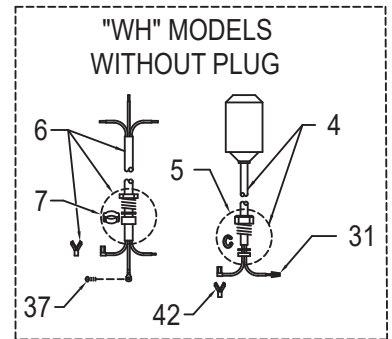
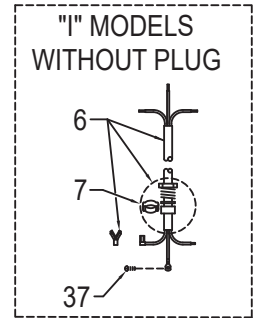
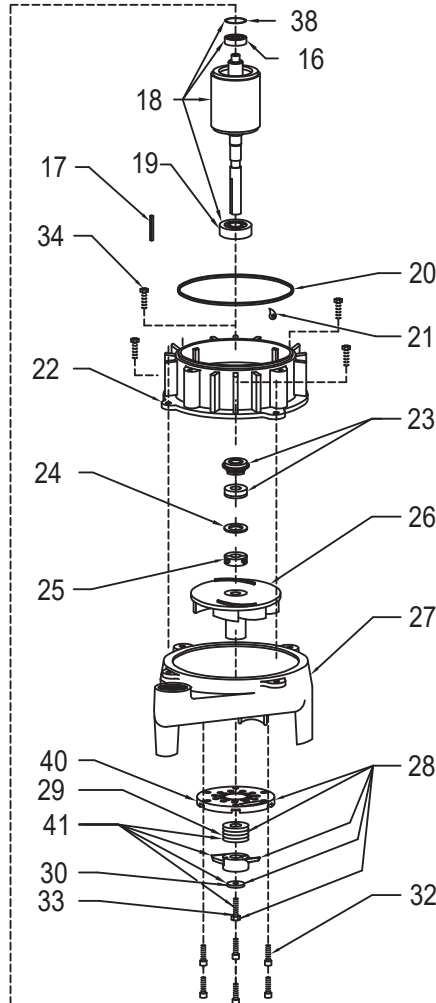
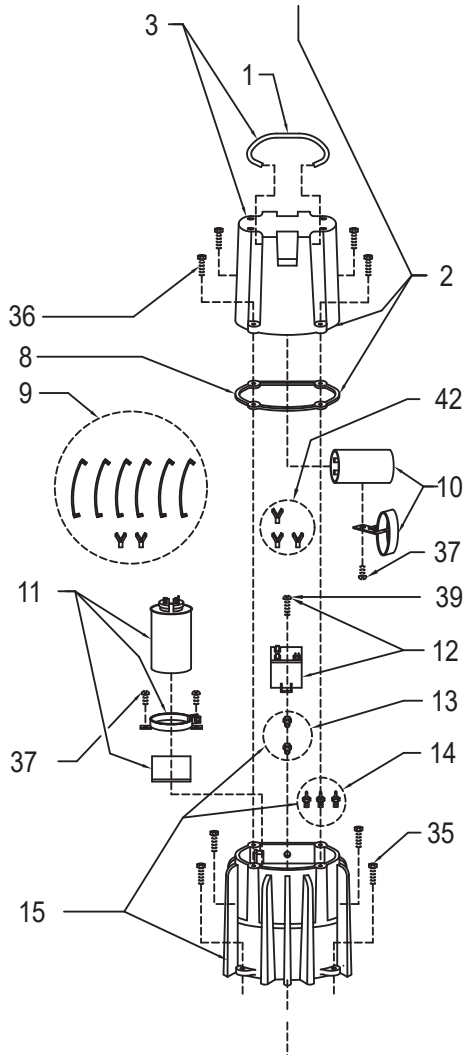
## NOTES:

- 1) See FM0160 Price Sheet for listing of parts prices.
- 2) "N/A" indicates, not applicable.
- 3) If an "X" follows Model No., or Date Mfg. on brass ID tag, consult factory for ordering of this part.
- 4) Housing, MTR & Stator (Item 15) is preassembled at factory and must be replaced as a unit. Stator is permanently attached to the Motor Housing. Plug (Item 13) and Seal, thru Wall Term. (Item 14) and Bearing (Item 16) are replaceable.

# REPLACEMENT PARTS ILLUSTRATION FOR 818 - ALL MODELS



APPLICABLE CORD, SEAL & GROUND SCREW









MAIL TO: P.O. BOX 16347 • Louisville, KY 40256-0347  
SHIP TO: 3649 Cane Run Road • Louisville, KY 40211-1961  
Tel: (502) 778-2731 • 1 (800) 928-PUMP

Trusted. Tested. Tough.®

Visit our website:  
[zoellerpumps.com](http://zoellerpumps.com)