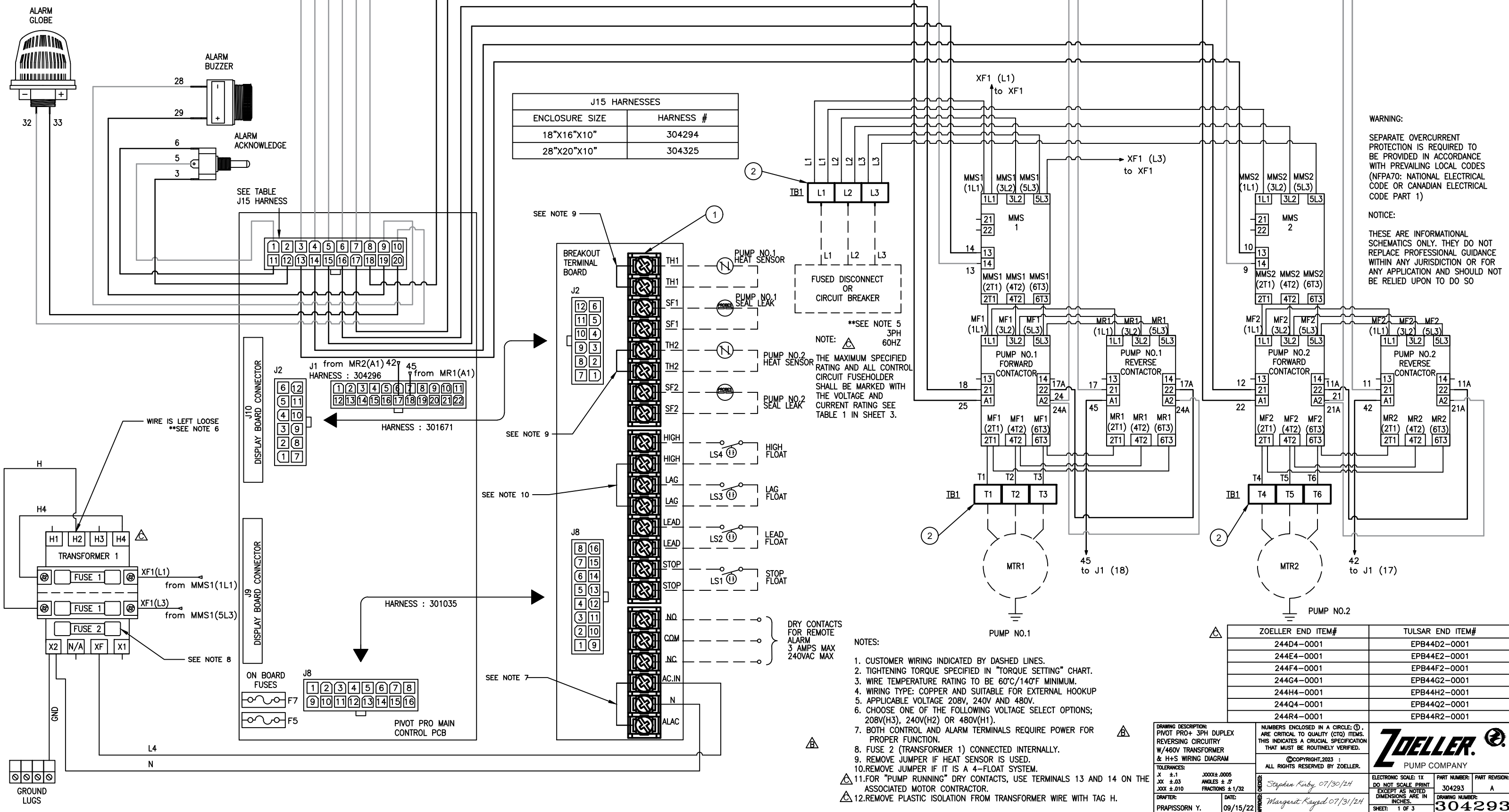


DRAWING REVISIONS			
LTR	BY	DATE	DESCRIPTION
A	PY	02/14/23	11481 RELEASE
B	PY	05/29/23	11605 FORMAT UPDATES
C	GA	02/28/24	20434 DRAWINGS UPDATES

CUSTOMER TORQUE SETTING		
NUMBER	COMPONENT	TORQUE
1	BREAKOUT TERMINAL BOARD	0.82 N.m. 7.3 lb-in
2	TERMINAL BLOCK 6mm ² -CROSS SECTION	1.5-1.8 N.m. 13.3-15.9 lb-in
	TERMINAL BLOCK 16mm ² -CROSS SECTION	2.5-3 N.m. 22.1-26.5 lb-in



WARNING:
SEPARATE OVERCURRENT PROTECTION IS REQUIRED TO BE PROVIDED IN ACCORDANCE WITH PREVAILING LOCAL CODES (NFPA70: NATIONAL ELECTRICAL CODE OR CANADIAN ELECTRICAL CODE PART 1)

NOTICE:
THESE ARE INFORMATIONAL SCHEMATICS ONLY. THEY DO NOT REPLACE PROFESSIONAL GUIDANCE WITHIN ANY JURISDICTION OR FOR ANY APPLICATION AND SHOULD NOT BE RELIED UPON TO DO SO

- NOTES:**
- CUSTOMER WIRING INDICATED BY DASHED LINES.
 - TIGHTENING TORQUE SPECIFIED IN "TORQUE SETTING" CHART.
 - WIRE TEMPERATURE RATING TO BE 60°C/140°F MINIMUM.
 - WIRING TYPE: COPPER AND SUITABLE FOR EXTERNAL HOOKUP
 - APPLICABLE VOLTAGE 208V, 240V AND 480V.
 - CHOOSE ONE OF THE FOLLOWING VOLTAGE SELECT OPTIONS; 208V(H3), 240V(H2) OR 480V(H1).
 - BOTH CONTROL AND ALARM TERMINALS REQUIRE POWER FOR PROPER FUNCTION.
 - FUSE 2 (TRANSFORMER 1) CONNECTED INTERNALLY.
 - REMOVE JUMPER IF HEAT SENSOR IS USED.
 - REMOVE JUMPER IF IT IS A 4-FLOAT SYSTEM.
 - FOR "PUMP RUNNING" DRY CONTACTS, USE TERMINALS 13 AND 14 ON THE ASSOCIATED MOTOR CONTRACTOR.
 - REMOVE PLASTIC ISOLATION FROM TRANSFORMER WIRE WITH TAG H.

ZOELLER END ITEM#	TULSAR END ITEM#
244D4-0001	EPB44D2-0001
244E4-0001	EPB44E2-0001
244F4-0001	EPB44F2-0001
244G4-0001	EPB44G2-0001
244H4-0001	EPB44H2-0001
244Q4-0001	EPB44Q2-0001
244R4-0001	EPB44R2-0001

DRAWING DESCRIPTION:
PIVOT PRO+ 3PH DUPLEX REVERSING CIRCUITRY W/480V TRANSFORMER & H+S WIRING DIAGRAM

TOLERANCES:
X ±.1
XX ±.03
XXX ±.010

JOINTS:
X ±.0005
XX ±.001
XXX ±.0015

ANGLES:
X ±.5°
XX ±.25°
XXX ±.125°

FRACTIONS:
X ±1/32
XX ±1/64
XXX ±1/128

DRAWING NUMBER: 304293
SHEET: 1 OF 3

DATE: 09/15/22
DRAFTER: PRAPISSORN Y.
DATE: 07/30/24
DRAWN BY: Margaret Kayed

STEPHEN KIRBY
PUMP COMPANY



1
2
3
4
5
6
7
8
9
10
11
12
13
14
15
16
17
18
19
20
21
22
23
24
25
26
27
28
29
30
31
32
33
34
35

J2 HARNESS : 301671

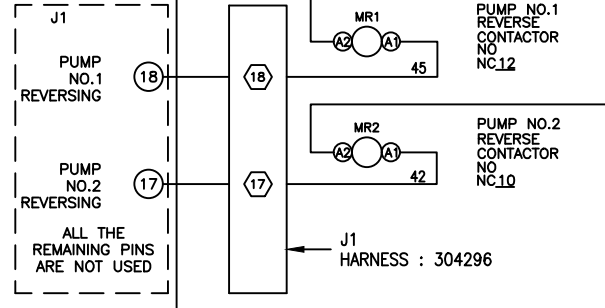
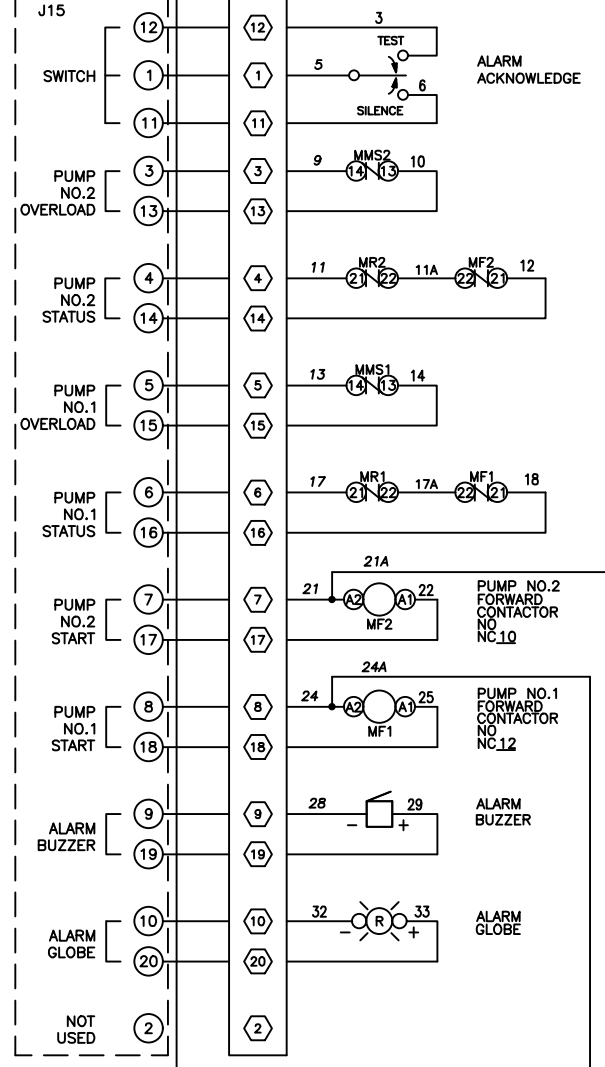
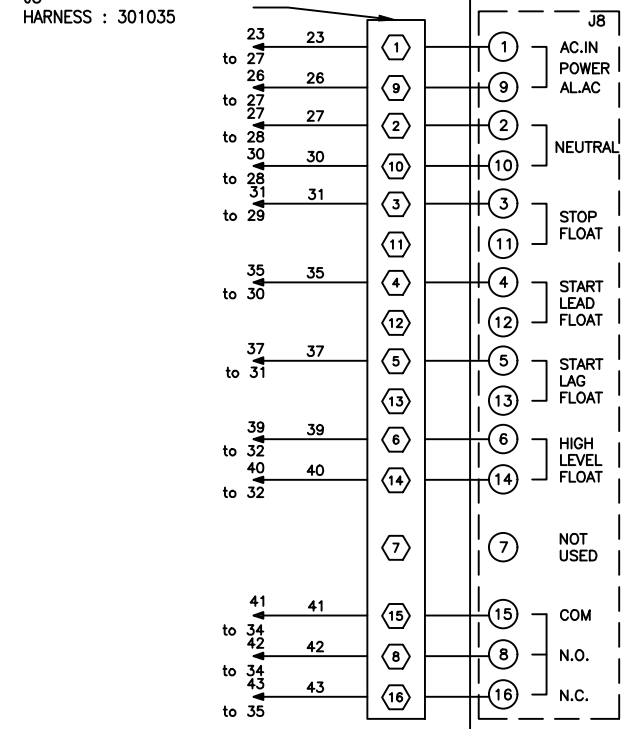
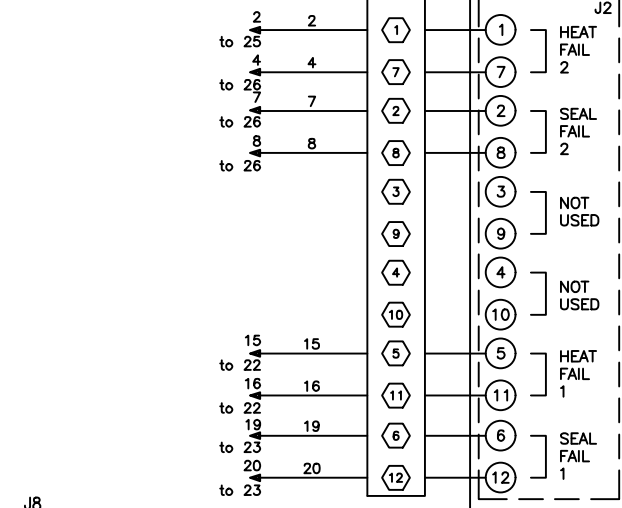
PCB CONTROL BOARD

J15 HARNESS : SEE TABLE J15

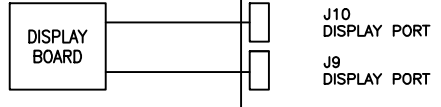
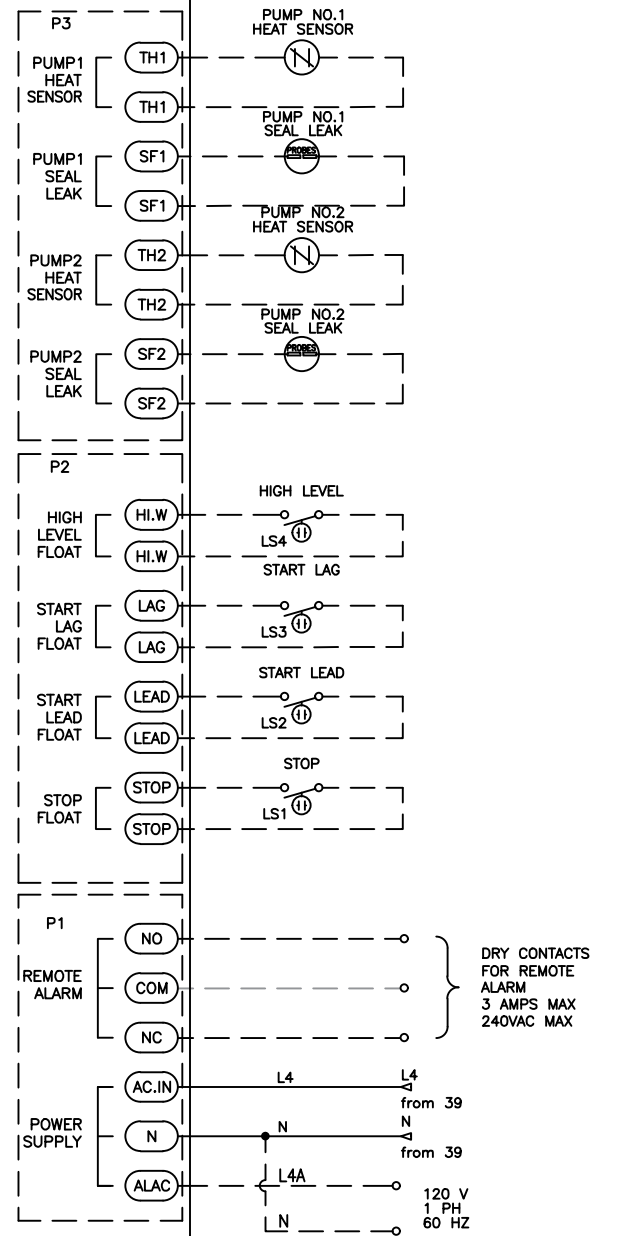
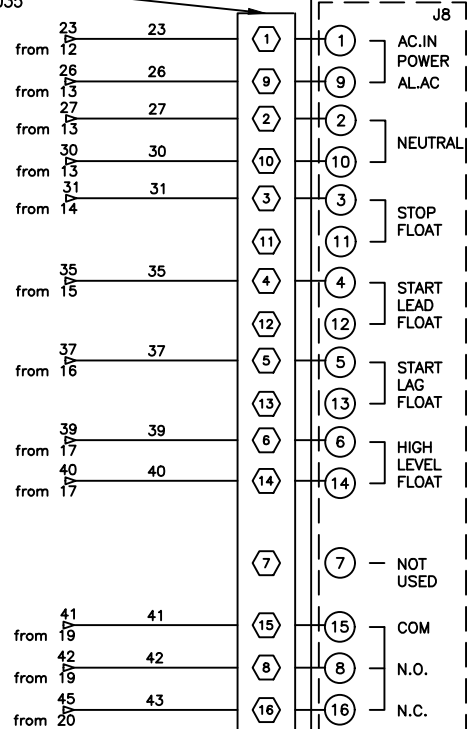
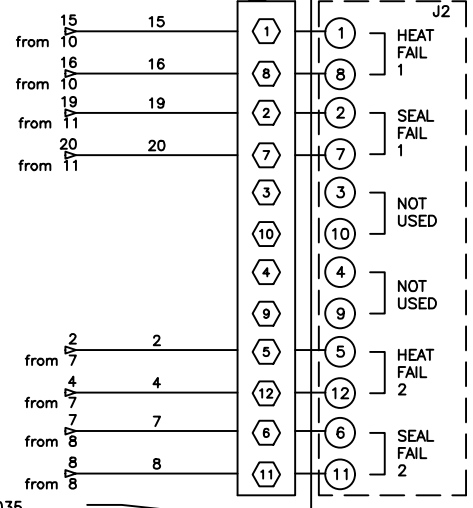
J2 HARNESS : 301671

BREAKOUT TERMINAL BOARD

J8 HARNESS : 301035



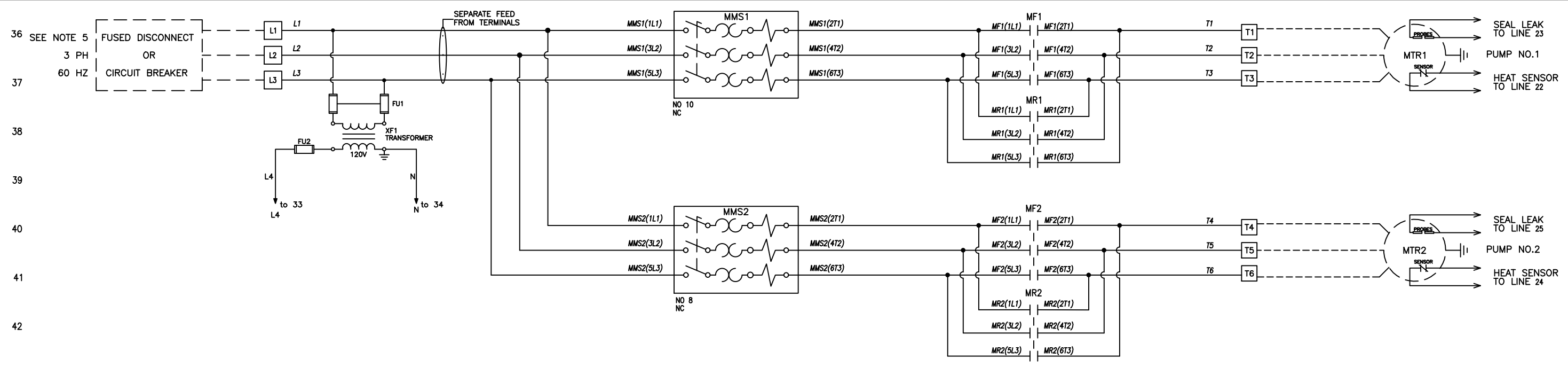
21
22
23
24
25
26
27
28
29
30
31
32
33
34
35



TERMINAL LEGEND
◻ DENOTE MOLEX PIN

NOTE:
TERMINAL (AC.IN) AND
TERMINAL (ALAC) ARE JUMPED
BY FACTORY DEFAULT.
REMOVE JUMPER TO PROVIDE
EXTERNAL 120VAC SUPPLY FOR
ALARMS.



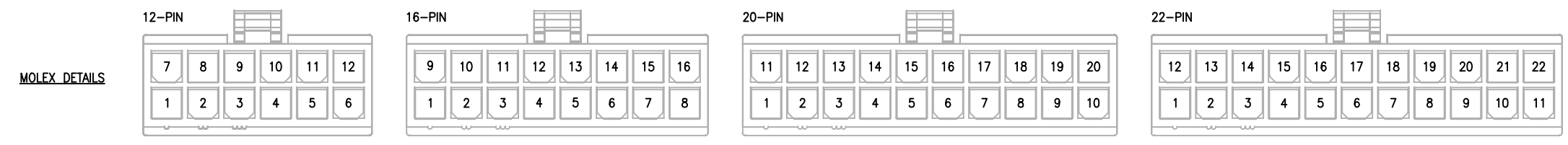


36
37
38
39
40
41
42
43
44
45
46
47
48
49
50
51
52
53
54
55

⚠

TABLE 1 MAXIMUM BREAKING RATE AS PER TABLE 31.1 FROM UL508A

TULSAR END ITEM#	CIRCUIT BREAKER	FUSED DISCONNECT
EPB44D2-0001	36.68A MAX	14.675A MAX
EPB44E2-0001	57.5A MAX	23A MAX
EPB44F2-0001	80A MAX	32A MAX
EPB44G2-0001	102.5A MAX	41A MAX
EPB44H2-0001	130.625A MAX	52.25A MAX
EPB44Q2-0001	141.875A MAX	56.75A MAX
EPB44R2-0001	181.25A MAX	72.5A MAX



TERMINAL LEGEND
□ DENOTE LOCAL TERMINAL