

Product information presented here reflects conditions at time of publication. Consult factory regarding discrepancies or inconsistencies.

COMPLETE SUMP PUMP HOSE DISCHARGE KIT

**For use with
Sump Pumps
and Utility Pumps**

***Ready to install for temporary
or portable use***

Complete installation kit includes:

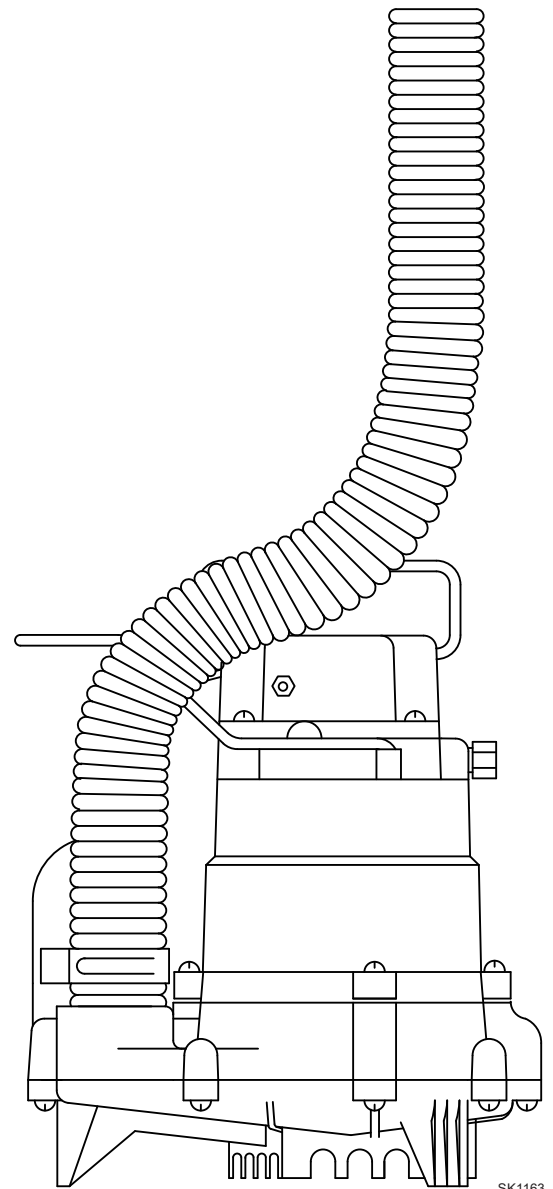
- 24' of Flexible Drain Tubing
- Hi-Impact Adapter for 1-1/4" and 1-1/2" Discharge Outlets

Installation instructions:

Screw adapter into pump discharge.
Slip clamp over cuff of tubing and push
tubing onto adapter. FASTEN clamp.

▲ NOTICE Sump pump hose must be supported so that
the pump stays upright.

▲ NOTICE If pit is undersized, the pump may continue
to turn "on" and "off". A check valve may be needed. See
your supplier for check valve and hardware fittings.



SK1163

PART NO. 1010-0117

