

DRAWING REVISIONS				
LTR	BY	DATE	ECO #	DESCRIPTION
A	SWK	10/16/23	20119	RELEASE
B	SWK	03/15/24	20487	DRAWING UPDATE
C	MK	04/15/24	20553	DRAWING UPDATE
D	SWK	05/21/24	20615	UPDATE
E	SWK	09/03/24	20845	UPDATE

CUSTOMER TORQUE SETTING		
NUMBER	COMPONENT	TORQUE
1	CIRCUIT BREAKER	2.8 N.m. 25 in-lb
2	CONTACTOR	1.8-2 N.m. 20 in-lb
3	TERMINAL BLOCK 8mm <sup>2</sup> -CROSS SECTION	1.5-1.8 N.m. 13.3-15.9 in-lb
4	PCB BOARD	0.82 N.m. 7.3 in-lb

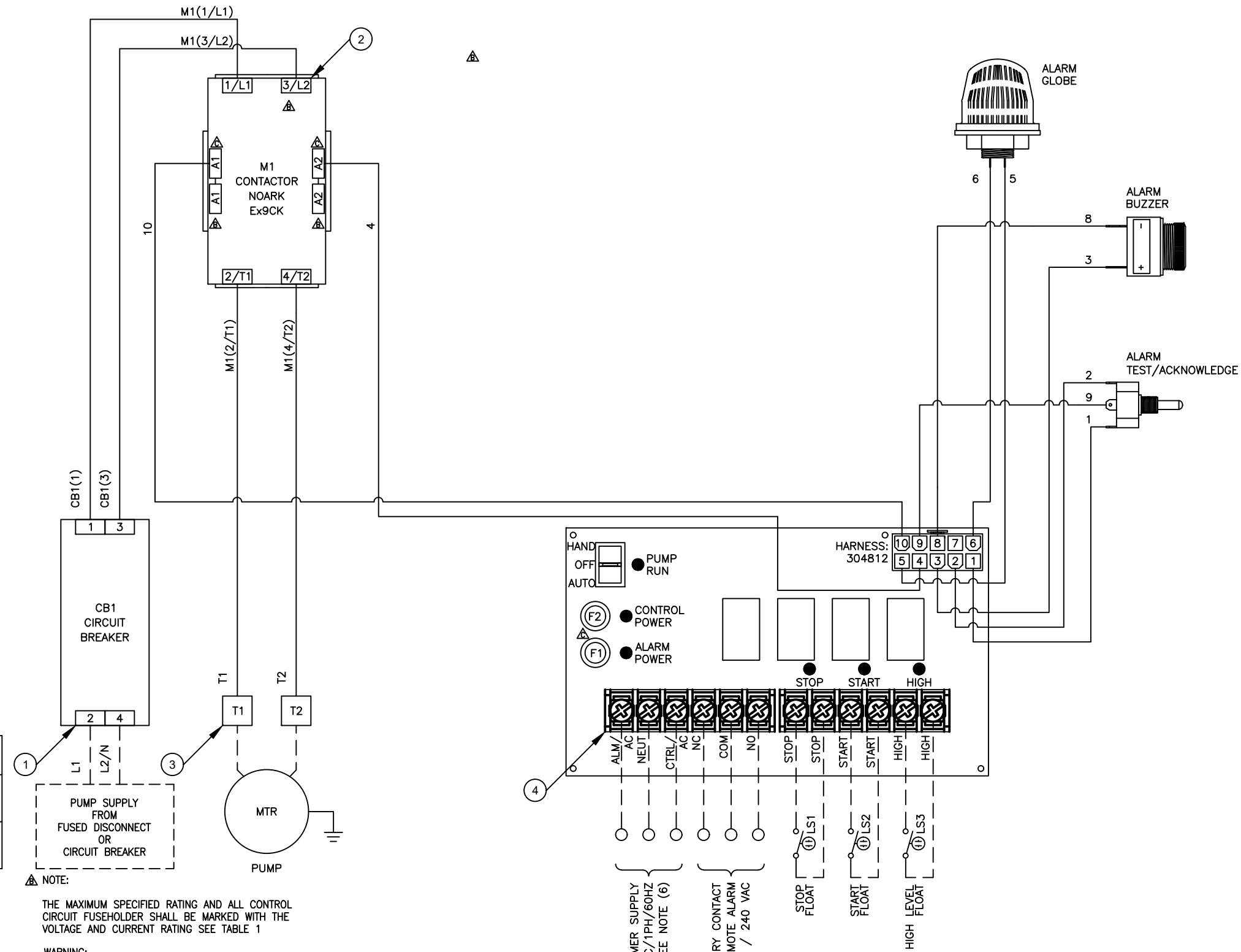


TABLE 1 MAXIMUM BREAKING RATE AS PER TABLE 31.1 FROM UL508A

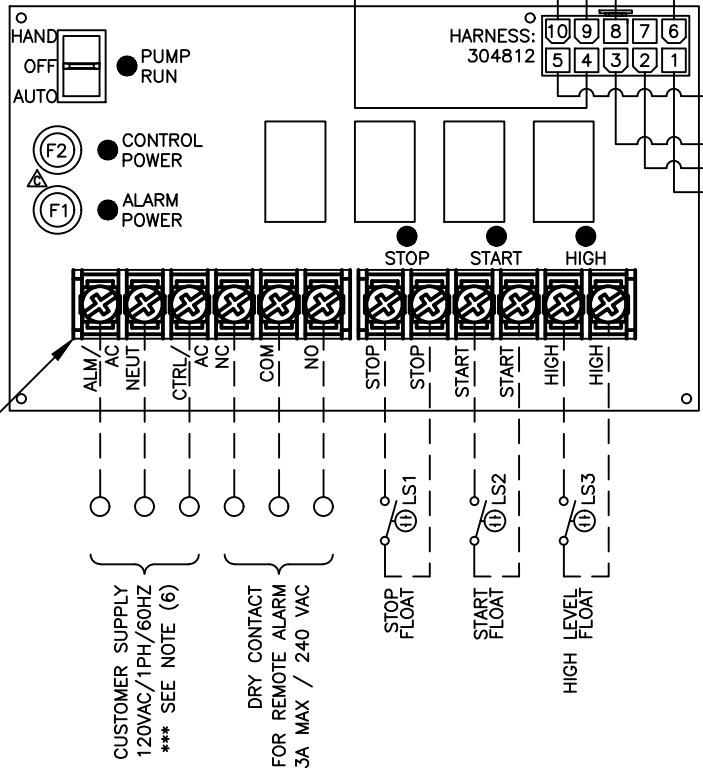
CIRCUIT BREAKER	FUSED DISCONNECT
37.5A MAX	15A MAX

NOTE:  
THE MAXIMUM SPECIFIED RATING AND ALL CONTROL CIRCUIT FUSEHOLDER SHALL BE MARKED WITH THE VOLTAGE AND CURRENT RATING SEE TABLE 1

WARNING:  
SEPARATE OVERCURRENT PROTECTION IS REQUIRED TO BE PROVIDED IN ACCORDANCE WITH PREVAILING LOCAL CODES (NFPA70: NATIONAL ELECTRICAL CODE OR CANADIAN ELECTRICAL CODE PART 1)

NOTICE:  
THESE ARE INFORMATIONAL SCHEMATICS ONLY. THEY DO NOT REPLACE PROFESSIONAL GUIDANCE WITHIN ANY JURISDICTION OR FOR ANY APPLICATION AND SHOULD NOT BE RELIED UPON TO DO SO

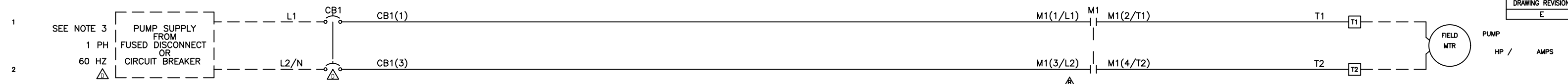
- NOTES:
- (1) CUSTOMER WIRING INDICATED BY DASHED LINES.
  - (2) TIGHTENING TORQUE SPECIFIED IN "TORQUE SETTING" CHART.
  - (3) APPLICABLE VOLTAGE 240V, 208V, AND 120V
  - (4) WIRING TEMP: RATING TO BE 60°C/140°F MINIMUM.
  - (5) WIRING TYPE: COPPER AND SUITABLE FOR EXTERNAL HOOKUP
  - (6) BOTH CONTROL AND ALARM TERMINALS REQUIRE POWER FOR PROPER FUNCTION.
  - (7) THE OPTIONAL DUAL FUNCTIONAL COUNTER TO BE INSTALLED IN SELECT MODELS
  - (8) ALARM AC FUSE 1 AND CONTROL AC FUSE 2 ARE TYPE AGC RATED 250V 3A



POWER HARNESS CHART
PART NUMBER
304856

ZOELLER END ITEM#		TULSAR END ITEM#	
51354-0001		EPE1352-0001	
DRAWING DESCRIPTION: LOW COST PANEL SIMPLEX 1PH PANEL STANDARD WIRING DIAGRAM		NUMBERS ENCLOSED IN A CIRCLE: ①, ARE CRITICAL TO QUALITY (CTQ) ITEMS. THIS INDICATES A CRUCIAL SPECIFICATION THAT MUST BE ROUTINELY VERIFIED.	
TOLERANCES: X ±.1 XX ±.03 XXX ±.010		©COPYRIGHT, 2020 : ALL RIGHTS RESERVED BY ZOELLER.	
DRAFTER: S.KIRBY		DATE: 10/16/23	
DRAWING NUMBER: 304853		PART REVISION: E	
SHEET: 1 OF 2		304853	





**WARNING:**  
SEPARATE OVERCURRENT PROTECTION IS REQUIRED TO BE PROVIDED IN ACCORDANCE WITH PREVAILING LOCAL CODES (NFPA70: NATIONAL ELECTRICAL CODE OR CANADIAN ELECTRICAL CODE PART 1)

**NOTICE:**  
THESE ARE INFORMATIONAL SCHEMATICS ONLY. THEY DO NOT REPLACE PROFESSIONAL GUIDANCE WITHIN ANY JURISDICTION OR FOR ANY APPLICATION AND SHOULD NOT BE RELIED UPON TO DO SO

