



MAIL TO: P.O. BOX 16347 • Louisville, KY 40256-0347
 SHIP TO: 3649 Cane Run Road • Louisville, KY 40211-1961
 Tel: (502) 778-2731 • 1 (800) 928-PUMP

FM1509
 0924
 Supersedes
 0822

Visit our website:
 zoellerpumps.com

Product information presented here reflects conditions at time of publication. Consult factory regarding discrepancies or inconsistencies.

High-Temp Float Rod Extension Kit (P/N 10-0656) Installation Instructions

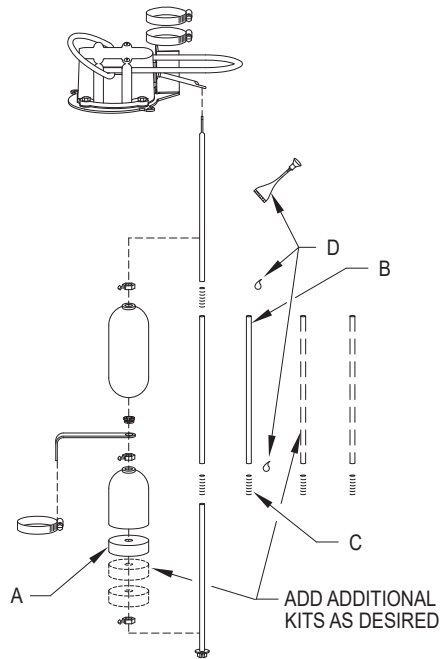
Instructions:

1. Separate existing float rod as shown.
2. Apply sealer (D) on connecting screws (C).
3. Install rod (B) and Float (A) using screws (C) as shown.
4. Adjust on/off levels and switch height as desired.

Notes:

1. Each kit adds 1' of float rod length and is installed in same manner.
2. One float P/N 010998 is required for each additional rod P/N 005327.
3. Wire and conduit from pump to switch must be extended to same length as rod.

	Quantity	Description	Part Number
A)	1	Float	010998
B)	1	Rod	005327
C)	1	Screw	005107
D)	1	Sealer, Loctite (Pink)	157896
E)	1	Form MSDS - Loctite	157880



SK1657



MAIL TO: P.O. BOX 16347 • Louisville, KY 40256-0347
 SHIP TO: 3649 Cane Run Road • Louisville, KY 40211-1961
 Tel: (502) 778-2731 • 1 (800) 928-PUMP

FM1509
 0924
 Supersedes
 0822

Visit our website:
 zoellerpumps.com

Product information presented here reflects conditions at time of publication. Consult factory regarding discrepancies or inconsistencies.

High-Temp Float Rod Extension Kit (P/N 10-0656) Installation Instructions

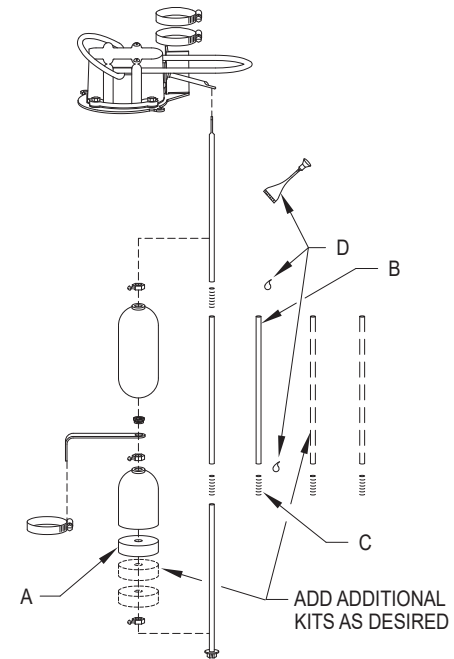
Instructions:

1. Separate existing float rod as shown.
2. Apply sealer (D) on connecting screws (C).
3. Install rod (B) and Float (A) using screws (C) as shown.
4. Adjust on/off levels and switch height as desired.

Notes:

1. Each kit adds 1' of float rod length and is installed in same manner.
2. One float P/N 010998 is required for each additional rod P/N 005327.
3. Wire and conduit from pump to switch must be extended to same length as rod.

	Quantity	Description	Part Number
A)	1	Float	010998
B)	1	Rod	005327
C)	1	Screw	005107
D)	1	Sealer, Loctite (Pink)	157896
E)	1	Form MSDS - Loctite	157880



SK1657