

MAIL TO: P.O. BOX 16347 • Louisville, KY 40256-0347
SHIP TO: 3649 Cane Run Road • Louisville, KY 40211-1961
Tel: (502) 778-2731 • 1 (800) 928-PUMP

Visit our website:
zoellerpumps.com

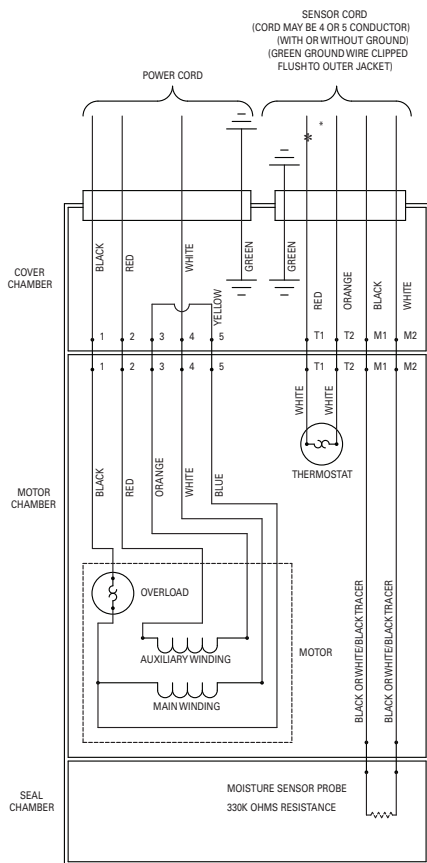
Product information presented here reflects conditions at time of publication. Consult factory regarding discrepancies or inconsistencies.

REPLACEMENT PARTS LIST FOR GRINDER MODELS:

E841 230V 1 PHASE
I841 200V 1 PHASE
F841 230V 3 PHASE
G841 460V 3 PHASE
J841 200V 3 PHASE
BA841 575V 3 PHASE

TO ORDER REPLACEMENT PARTS:
PLEASE FURNISH THE FOLLOWING INFORMATION:

- Model Number.
- Part Number of Pump.
- Part Number and Description of part.

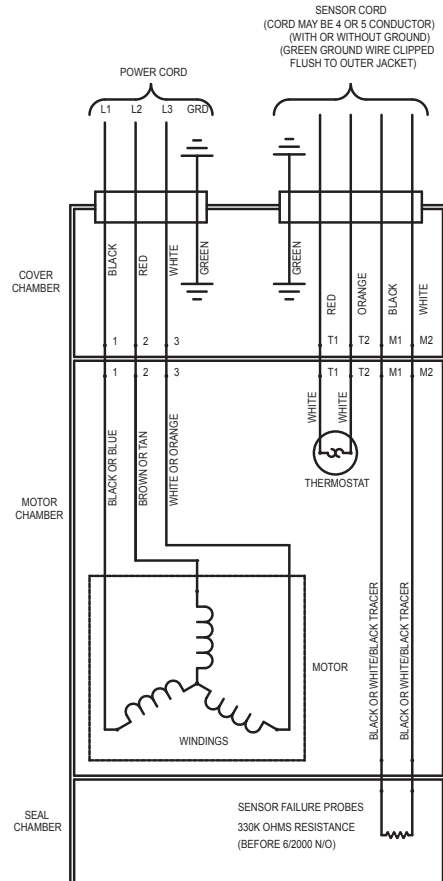


*THERMOSTAT OPTIONAL

016129

*Thermostat Optional

WIRING DIAGRAM FOR MODELS
"E841" All Revisions
"I841" All Revisions
"12/03 thru Current



008752

WIRING DIAGRAM FOR MODELS
"F841" All Revisions
"G841" All Revisions
"J841" All Revisions
"BA841" All Revisions
"12/03 thru Current

REPLACEMENT PARTS LIST FOR MODEL "E841".

See back page for illustration.

REF. NO.	DESCRIPTION	QTY.	NOTES	MODELS:		
				E841-A	E841-B	E841-C
				12/03 thru 8/06	9/06 thru 1/17	2/17 thru Current
1	COVER & CORD 200/230V/1PH	1	2	016135	016135	016135
2	• SEAL, SQ-RING COVER	1		007773	007773	007773
3	• SEAL, THRU WALL TERM.	9		003402	003402	003402
4	HOUSING, MTR. & STR. 1PH/GE	1	1	010266	010266	010266
5	• OIL, DIELECTRIC (57 OZ CAN)	1		009051	009051	009051
6	ROTOR ASM. 1PH/GE	1		010269	010269	010269
7	RING, SNAP-5100-100 TRUARC	1		007769	007769	007769
8	KEY	1		011711	011711	011711
9	CORDAGE TERM. & SEAL/20/18-2 SOW-A/MS	1	2	009053	009053	009053
10	• SEAL, CORD-ASM./MS	1	2	011064	011064	011064
11	CORDAGE TERM. & SEAL/20/POWER	1	2	155429	155429	155429
12	• SEAL, CORD-ASM. & STRAIN RELIEF	1	2	015634	015634	015634
13	CASE & SEAL	1		015830	015830	015830
14	• PLUG, TEST-BRASS	3		015023	015023	015023
15	• BEARING, RADIAL .4724 ID	1		006703	006703	006703
16	• BEARING, ANGULAR CONTACT	1		007765	007765	007765
17	• SEAL, SQ-RING ADAPTER	1		007771	007771	007771
18	• SENSOR, MOISTURE ASM.	1		007770	007770	007770
19	ADAPTER ASM. GRINDER	1		009055	009055	009055
20	• OIL, DIELECTRIC (11 OZ CAN)	1		009056	009056	009056
21	• SEAL ASM., SHAFT	2		007763	007763	007763
22	• SEAL, SQ-RING SEAL PLATE	1		007772	007772	007772
23	PLATE, SEAL-MACH.	1		007757	007757	007757
24	IMPELLER-MACH. BRASS	1		015801	015801	015801
	IMPELLER- MACH. DUCTILE IRON			154276	154276	154276
25	HOUSING, PUMP-MACH.	1		015800	015800	154089
	HOUSING, PUMP- MACH "841" HORZ DISCH			N/A	N/A	156931
26	CUTTER & DISC ASM.	1		016136	018604	154536
27	SHIM SET	1		012632	012632	012632
28	GUARD, CUTTER-PLASTIC	1		008528	008528	N/A
29	HANDLE	1		016801	016801	016801
30	WIRE ASM.-P-P (1) WIRE	1		016134	016134	016134
31	RESISTOR	1		013740	013740	013740
32	• SCREW, #6-32 X .25RHM SL TC STLGR	1		001877	001877	001877
33	• SCREW, .313-18 X 1 HH CAP SS	2		002608	002608	002608
34	• SCREW, .313-18 X 1.25 HH CAP-SS	12		001908	001908	001908
35	• SCREW, #10-24 X .625" SH CAP SS	4		007774	007774	007774
36	• SCREW, .25-20 X .75 LG HH SS (NYLOCK PRE-COAT 80)	1		009545	N/A	N/A
	• SCREW, .25-20 X 1 LG HH SS (NYLOCK PRE-COAT 80)			N/A	018602	018602
37	• SCREW, .25-20 X .75 SH CAP SS	3		007768	007768	N/A
	• SCREW, .25-20 X .75 SH CAP SS	6		N/A	N/A	007768
38	• SCREW, #10-24 X .875 FLT SH CAP SS	3		007761	007761	N/A
39	• WASHER, LOCK .312 ID	14		006402	006402	006402
40	• WASHER-RETAINING	1		008533	008533	008533
41	• WASHER-FLAT SS	2		008773	008773	008773
42	• WASHER-FLAT SS .25 STANDARD	3		004480	004480	N/A
43	DISC, CUTTER	1		010407	010407	153203
44	CUTTER & SHIM ASM / 3 BLASE / 0.75" SCREW	1		019695	N/A	N/A
	CUTTER & SHIM ASM / 3 BLADE / 1" SCREW	1		N/A	019696	N/A
	CUTTER & SHIM ASM / 2 BLADE / 1" SCREW	1		N/A	N/A	154537
□	REBUILD KIT	1		016806	018601	018601

• Items included in Rebuild Kit.

□ Not Shown in Illustration.

NOTE:

- 1) Housing Mtr & Stator (Item 4) is preassembled at the factory and must be replaced as a unit. Stator is permanently attached to the Motor Housing. Plug (Item 14); Seal, Thru WallTerm. (Item 3) are replaceable.
- 2) If an "X" follows Model No., or Date Mfg. On ID tag, consult factory for ordering of this part.
- 3) See FM0160 Parts Price Sheet for listing of parts prices.
- 4) "NA" indicates not applicable.

REPLACEMENT PARTS LIST FOR MODEL "I841".

See back page for illustration.

REF. NO.	DESCRIPTION	QTY.	NOTES	MODELS:		
				I841-A	I841-B	I841-C
				12/03 thru 8/06	9/06 thru 1/17	2/17 thru Current
1	COVER & CORD 200/230V/1PH	1	2	016135	016135	016135
2	• SEAL, SQ-RING COVER	1		007773	007773	007773
3	• SEAL, THRU WALL TERM.	9		003402	003402	003402
4	HOUSING, MTR. & STR. 1PH/GE	1	1	010267	010267	010267
5	• OIL, DIELECTRIC (57 OZ CAN)	1		009051	009051	009051
6	ROTOR ASM. 1PH/GE	1		010269	010269	010269
7	RING, SNAP-5100-100 TRUARC	1		007769	007769	007769
8	KEY	1		011711	011711	011711
9	CORDAGE TERM. & SEAL/20/18-2 SOW-A/MS	1	2	009053	009053	009053
10	• SEAL, CORD-ASM/MS	1	2	011064	011064	011064
11	CORDAGE TERM. & SEAL/20/POWER	1	2	155429	155429	155429
12	• SEAL, CORD-ASM. & STRAIN RELIEF	1	2	015634	015634	015634
13	CASE & SEAL	1		015830	015830	015830
14	• PLUG, TEST-BRASS	3		015023	015023	015023
15	• BEARING, RADIAL .4724 ID	1		006703	006703	006703
16	• BEARING, ANGULAR CONTACT	1		007765	007765	007765
17	• SEAL, SQ-RING ADAPTER	1		007771	007771	007771
18	• SENSOR, MOISTURE ASM.	1		007770	007770	007770
19	ADAPTER ASM. GRINDER	1		009055	009055	009055
20	• OIL, DIELECTRIC (11 OZ CAN)	1		009056	009056	009056
21	• SEAL ASM., SHAFT	2		007763	007763	007763
22	• SEAL, SQ-RING SEAL PLATE	1		007772	007772	007772
23	PLATE, SEAL-MACH.	1		007757	007757	007757
24	IMPELLER-MACH. BRASS	1		015801	015801	015801
	IMPELLER-MACH. DUCTILE IRON			154276	154276	154276
25	HOUSING, PUMP-MACH.	1		015800	015800	154089
	HOUSING, PUMP- MACH "841" HORZ DISCH			N/A	N/A	156931
26	CUTTER & DISC ASM.	1		016136	018604	154536
27	SHIM SET	1		012632	012632	012632
28	GUARD, CUTTER-PLASTIC	1		008528	008528	N/A
29	HANDLE	1		016801	016801	016801
30	WIRE ASM.-P-P (1) WIRE	1		016134	016134	016134
31	RESISTOR	1		013740	013740	013740
32	• SCREW, #6-32 X .25RHM SL TC STLGR	1		001877	001877	001877
33	• SCREW, .313-18 X 1 HH CAP SS	2		002608	002608	002608
34	• SCREW, .313-18 X 1.25 HH CAP-SS	12		001908	001908	001908
35	• SCREW, #10-24 X .625" SH CAP SS	4		007774	007774	007774
36	• SCREW, .25-20 X .75 LG HH SS (NYLOCK PRE-COAT 80)	1		009545	N/A	N/A
	• SCREW, .25-20 X 1 LG HH SS (NYLOCK PRE-COAT 80)			N/A	018602	018602
37	• SCREW, .25-20 X .75 SH CAP SS	3		007768	007768	N/A
	• SCREW, .25-20 X .75 SH CAP SS	6		N/A	N/A	007768
38	• SCREW, #10-24 X .875 FLT SH CAP SS	3		007761	007761	N/A
39	• WASHER, LOCK .312 ID	14		006402	006402	006402
40	• WASHER-RETAINING	1		008533	008533	008533
41	• WASHER-FLAT SS	2		008773	008773	008773
42	• WASHER-FLAT SS .25 STANDARD	3		004480	004480	N/A
43	DISC, CUTTER	1		010407	010407	153203
44	CUTTER & SHIM ASM / 3 BLASE / 0.75" SCREW	1		019695	N/A	N/A
	CUTTER & SHIM ASM / 3 BLADE / 1" SCREW	1		N/A	019696	N/A
	CUTTER & SHIM ASM / 2 BLADE / 1" SCREW	1		N/A	N/A	154537
□	REBUILD KIT	1		016806	018601	018601

• Items included in Rebuild Kit.

□ Not Shown in Illustration.

NOTE:

- 1) Housing Mtr & Stator (Item 4) is preassembled at the factory and must be replaced as a unit. Stator is permanently attached to the Motor Housing. Plug (Item 14); Seal, Thru WallTerm. (Item 3) are replaceable.
- 2) If an "X" follows Model No., or Date Mfg. On ID tag, consult factory for ordering of this part.
- 3) See FM0160 Parts Price Sheet for listing of parts prices.
- 4) "NA" indicates not applicable.

REPLACEMENT PARTS LIST FOR MODEL "J841".

See back page for illustration.

REF. NO.	DESCRIPTION	QTY.	NOTES	MODELS:		
				J841-A	J841-B	J841-C
				12/03 thru 8/06	9/06 thru 1/17	2/17 thru Current
1	COVER & CORD 200/230/460/575V/3PH	1	2	015827	015827	015827
2	• SEAL, SQ-RING COVER	1		007773	007773	007773
3	• SEAL, THRU WALL TERM.	9		003402	003402	003402
4	HOUSING, MTR. & STR. 3PH/GE	1	1	010265	010265	010265
5	• OIL, DIELECTRIC (67 OZ CAN)	1		009064	009064	009064
6	ROTOR ASM. 3PH/GE	1		010268	010268	010268
7	RING, SNAP-5100-100 TRUARC	1		007769	007769	007769
8	KEY	1		011711	011711	011711
9	CORDAGE TERM. & SEAL/20"/18-5 SOW-A/MS & THRML	1	2	012928	012928	012928
10	• SEAL, CORD-ASM./MS & THRML	1	2	012953	012953	012953
11	CORDAGE TERM. & SEAL/20"/POWER	1	2	155430	155430	155430
12	• SEAL, CORD-ASM. & STRAIN RELIEF	1	2	015634	015634	015634
13	CASE & SEAL	1		015830	015830	015830
14	• PLUG, TEST-BRASS	3		015023	015023	015023
15	• BEARING, RADIAL .4724 ID	1		006703	006703	006703
16	• BEARING, ANGULAR CONTACT	1		007765	007765	007765
17	• SEAL, SQ-RING ADAPTER	1		007771	007771	007771
18	• SENSOR, MOISTURE ASM.	1		007770	007770	007770
19	ADAPTER ASM. GRINDER	1		009055	009055	009055
20	• OIL, DIELECTRIC (11 OZ CAN)	1		009056	009056	009056
21	• SEAL ASM., SHAFT	2		007763	007763	007763
22	• SEAL, SQ-RING SEAL PLATE	1		007772	007772	007772
23	PLATE, SEAL-MACH.	1		007757	007757	007757
24	IMPELLER-MACH. BRASS	1		015801	015801	015801
	IMPELLER-MACH. DUCTILE IRON			154276	154276	154276
25	HOUSING, PUMP-MACH.	1		015800	015800	154089
	HOUSING, PUMP- MACH "841" HORZ DISCH			N/A	N/A	156931
26	CUTTER & DISC ASM.	1		016136	018604	154536
27	SHIM SET	1		012632	012632	012632
28	GUARD, CUTTER-PLASTIC	1		008528	008528	N/A
29	HANDLE	1		016801	016801	016801
30	WIRE ASM.-P-P (1) WIRE	1		016134	016134	016134
31	RESISTOR	1		013740	013740	013740
32	• SCREW, #6-32 X .25RHM SL TC STLGR	1		001877	001877	001877
33	• SCREW, .313-18 X 1 HH CAP SS	2		002608	002608	002608
34	• SCREW, .313-18 X 1.25 HH CAP-SS	12		001908	001908	001908
35	• SCREW, #10-24 X .625" SH CAP SS	4		007774	007774	007774
36	• SCREW, .25-20 X .75 LG HH SS (NYLOCK PRE-COAT 80)	1		009545	N/A	N/A
	• SCREW, .25-20 X 1 LG HH SS (NYLOCK PRE-COAT 80)			N/A	018602	018602
37	• SCREW, .25-20 X .75 SH CAP SS	3		007768	007768	N/A
	• SCREW, .25-20 X .75 SH CAP SS	6		N/A	N/A	007768
38	• SCREW, #10-24 X .875 FLT SH CAP SS	3		007761	007761	N/A
39	• WASHER, LOCK .312 ID	14		006402	006402	006402
40	• WASHER-RETAINING	1		008533	008533	008533
41	• WASHER FLAT SS	2		008773	008773	008773
42	• WASHER-FLAT SS .25 STANDARD	3		004480	004480	N/A
43	DISC, CUTTER	1		010407	010407	153203
44	CUTTER & SHIM ASM / 3 BLADE / 0.75" SCREW	1		019695	N/A	N/A
	CUTTER & SHIM ASM / 3 BLADE / 1" SCREW	1		N/A	019696	N/A
	CUTTER & SHIM ASM / 2 BLADE / 1" SCREW	1		N/A	N/A	154537
□	REBUILD KIT	1		016807	018605	018605

• Items included in Rebuild Kit.

□ Not Shown in Illustration.

NOTE:

- 1) Housing Mtr & Stator (Item 4) is preassembled at the factory and must be replaced as a unit. Stator is permanently attached to the Motor Housing. Plug (Item 14); Seal, Thru WallTerm. (Item 3) are replaceable.
- 2) If an "X" follows Model No., or Date Mfg. On ID tag, consult factory for ordering of this part.
- 3) See FM0160 Parts Price Sheet for listing of parts prices.
- 4) "NA" indicates not applicable.

REPLACEMENT PARTS LIST FOR MODEL "F841".

See back page for illustration.

REF. NO.	DESCRIPTION	QTY.	NOTES	MODELS:		
				F841-A	F841-B	F841-C
				12/03 thru 8/06	9/06 thru 1/17	2/17 thru Current
1	COVER & CORD 200/230/460/575V/3PH	1	2	015827	015827	015827
2	• SEAL, SQ-RING COVER	1		007773	007773	007773
3	• SEAL, THRU WALL TERM.	9		003402	003402	003402
4	HOUSING, MTR. & STR. 3PH/GE	1	1	010263	010263	010263
5	• OIL, DIELECTRIC (67 OZ CAN)	1		009064	009064	009064
6	ROTOR ASM. 3PH/GE	1		010268	010268	010268
7	RING, SNAP-5100-100 TRUARC	1		007769	007769	007769
8	KEY	1		011711	011711	011711
9	CORDAGE TERM. & SEAL/20'/18-5 SOW-A/MS & THRML	1	2	012928	012928	012928
10	• SEAL, CORD-ASM./MS & THRML	1	2	012953	012953	012953
11	CORDAGE TERM. & SEAL/20'/POWER	1	2	155430	155430	155430
12	• SEAL, CORD-ASM. & STRAIN RELIEF	1	2	015634	015634	015634
13	CASE & SEAL	1		015830	015830	015830
14	• PLUG, TEST-BRASS	3		015023	015023	015023
15	• BEARING, RADIAL .4724 ID	1		006703	006703	006703
16	• BEARING, ANGULAR CONTACT	1		007765	007765	007765
17	• SEAL, SQ-RING ADAPTER	1		007771	007771	007771
18	• SENSOR, MOISTURE ASM.	1		007770	007770	007770
19	ADAPTER ASM. GRINDER	1		009055	009055	009055
20	• OIL, DIELECTRIC (11 OZ CAN)	1		009056	009056	009056
21	• SEAL ASM., SHAFT	2		007763	007763	007763
22	• SEAL, SQ-RING SEAL PLATE	1		007772	007772	007772
23	PLATE, SEAL-MACH.	1		007757	007757	007757
24	IMPELLER-MACH. BRASS	1		015801	015801	015801
	IMPELLER-MACH. DUCTILE IRON			154276	154276	154276
25	HOUSING, PUMP-MACH.	1		015800	015800	154089
	HOUSING, PUMP- MACH "841" HORZ DISCH			N/A	N/A	156931
26	CUTTER & DISC ASM.	1		016136	018604	154536
27	SHIM SET	1		012632	012632	012632
28	GUARD, CUTTER-PLASTIC	1		008528	008528	N/A
29	HANDLE	1		016801	016801	016801
30	WIRE ASM.-P-P (1) WIRE	1		016134	016134	016134
31	RESISTOR	1		013740	013740	013740
32	• SCREW, #6-32 X .25RHM SL TC STLGR	1		001877	001877	001877
33	• SCREW, .313-18 X 1 HH CAP SS	2		002608	002608	002608
34	• SCREW, .313-18 X 1.25 HH CAP-SS	12		001908	001908	001908
35	• SCREW, #10-24 X .625" SH CAP SS	4		007774	007774	007774
36	• SCREW, .25-20 X .75 LG HH SS (NYLOCK PRE-COAT 80)	1		009545	N/A	N/A
	• SCREW, .25-20 X 1 LG HH SS (NYLOCK PRE-COAT 80)			N/A	018602	018602
37	• SCREW, .25-20 X .75 SH CAP SS	3		007768	007768	N/A
	• SCREW, .25-20 X .75 SH CAP SS	6		N/A	N/A	007768
38	• SCREW, #10-24 X .875 FLT SH CAP SS	3		007761	007761	N/A
39	• WASHER, LOCK .312 ID	14		006402	006402	006402
40	• WASHER-RETAINING	1		008533	008533	008533
41	• WASHER FLAT SS	2		008773	008773	008773
42	• WASHER-FLAT SS .25 STANDARD	3		004480	004480	N/A
43	DISC, CUTTER	1		010407	010407	153203
44	CUTTER & SHIM ASM / 3 BLADE / 0.75" SCREW	1		019695	N/A	N/A
	CUTTER & SHIM ASM / 3 BLADE / 1" SCREW	1		N/A	019696	N/A
	CUTTER & SHIM ASM / 2 BLADE / 1" SCREW	1		N/A	N/A	154537
□	REBUILD KIT	1		016807	018605	018605

• Items included in Rebuild Kit.

□ Not Shown in Illustration.

NOTE:

- 1) Housing Mtr & Stator (Item 4) is preassembled at the factory and must be replaced as a unit. Stator is permanently attached to the Motor Housing. Plug (Item 14); Seal, Thru WallTerm. (Item 3) are replaceable.
- 2) If an "X" follows Model No., or Date Mfg. On ID tag, consult factory for ordering of this part.
- 3) See FM0160 Parts Price Sheet for listing of parts prices.
- 4) "NA" indicates not applicable.

REPLACEMENT PARTS LIST FOR MODELS "G841".

See back page for illustration.

REF. NO.	DESCRIPTION	QTY.	NOTES	MODELS:		
				G841-A	G841-B	G841-C
				12/03 thru 8/06	9/06 thru 1/17	2/17 thru Current
1	COVER & CORD 200/230/460/575V/3PH	1	2	015827	015827	015827
2	• SEAL, SQ-RING COVER	1		007773	007773	007773
3	• SEAL, THRU WALL TERM.	9		003402	003402	003402
4	HOUSING, MTR. & STR. 3PH/GE	1	1	010264	010264	010264
5	• OIL, DIELECTRIC (67 OZ CAN)	1		009064	009064	009064
6	ROTOR ASM. 3PH/GE	1		010268	010268	010268
7	RING, SNAP-5100-100 TRUARC	1		007769	007769	007769
8	KEY	1		011711	011711	011711
9	CORDAGE TERM. & SEAL/20"/18-5 SOW-A/MS & THRML	1	2	012928	012928	012928
10	• SEAL, CORD-ASM./MS & THRML	1	2	012953	012953	012953
11	CORDAGE TERM. & SEAL/20"/POWER	1	2	155430	155430	155430
12	• SEAL, CORD-ASM. & STRAIN RELIEF	1	2	015634	015634	015634
13	CASE & SEAL	1		015830	015830	015830
14	• PLUG, TEST-BRASS	3		015023	015023	015023
15	• BEARING, RADIAL .4724 ID	1		006703	006703	006703
16	• BEARING, ANGULAR CONTACT	1		007765	007765	007765
17	• SEAL, SQ-RING ADAPTER	1		007771	007771	007771
18	• SENSOR, MOISTURE ASM.	1		007770	007770	007770
19	ADAPTER ASM. GRINDER	1		009055	009055	009055
20	• OIL, DIELECTRIC (11 OZ CAN)	1		009056	009056	009056
21	• SEAL ASM., SHAFT	2		007763	007763	007763
22	• SEAL, SQ-RING SEAL PLATE	1		007772	007772	007772
23	PLATE, SEAL-MACH.	1		007757	007757	007757
24	IMPELLER-MACH. BRASS	1		015801	015801	015801
	IMPELLER-MACH. DUCTILE IRON			154276	154276	154276
25	HOUSING, PUMP-MACH.	1		015800	015800	154089
	HOUSING, PUMP- MACH "841" HORZ DISCH			N/A	N/A	156931
26	CUTTER & DISC ASM.	1		016136	018604	154536
27	SHIM SET	1		012632	012632	012632
28	GUARD, CUTTER-PLASTIC	1		008528	008528	N/A
29	HANDLE	1		016801	016801	016801
30	WIRE ASM.-P-P (1) WIRE	1		016134	016134	016134
31	RESISTOR	1		013740	013740	013740
32	• SCREW, #6-32 X .25RHM SL TC STLGR	1		001877	001877	001877
33	• SCREW, .313-18 X 1 HH CAP SS	2		002608	002608	002608
34	• SCREW, .313-18 X 1.25 HH CAP-SS	12		001908	001908	001908
35	• SCREW, #10-24 X .625" SH CAP SS	4		007774	007774	007774
36	• SCREW, .25-20 X .75 LG HH SS (NYLOCK PRE-COAT 80)	1		009545	N/A	N/A
	• SCREW, .25-20 X 1 LG HH SS (NYLOCK PRE-COAT 80)			N/A	018602	018602
37	• SCREW, .25-20 X .75 SH CAP SS	3		007768	007768	N/A
	• SCREW, .25-20 X .75 SH CAP SS	6		N/A	N/A	007768
38	• SCREW, #10-24 X .875 FLT SH CAP SS	3		007761	007761	N/A
39	• WASHER, LOCK .312 ID	14		006402	006402	006402
40	• WASHER-RETAINING	1		008533	008533	008533
41	• WASHER FLAT SS	2		008773	008773	008773
42	• WASHER-FLAT SS .25 STANDARD	3		004480	004480	N/A
43	DISC, CUTTER	1		010407	010407	153203
44	CUTTER & SHIM ASM / 3 BLASE / 0.75" SCREW	1		019695	N/A	N/A
	CUTTER & SHIM ASM / 3 BLADE / 1" SCREW	1		N/A	019696	N/A
	CUTTER & SHIM ASM / 2 BLADE / 1" SCREW	1		N/A	N/A	154537
□	REBUILD KIT	1		016807	018605	018605

• Items included in Rebuild Kit.

□ Not Shown in Illustration.

NOTE:

- 1) Housing Mtr & Stator (Item 4) is preassembled at the factory and must be replaced as a unit. Stator is permanently attached to the Motor Housing. Plug (Item 14); Seal, Thru WallTerm. (Item 3) are replaceable.
- 2) If an "X" follows Model No., or Date Mfg. On ID tag, consult factory for ordering of this part.
- 3) See FM0160 Parts Price Sheet for listing of parts prices.
- 4) "NA" indicates not applicable.

REPLACEMENT PARTS LIST FOR MODELS "BA841".

See back page for illustration.

REF. NO.	DESCRIPTION	QTY.	NOTES	MODELS:		
				BA841-A	BA841-B	BA841-C
				12/03 thru 8/06	9/06 thru 1/17	2/17 thru 8/23
1	COVER & CORD 200/230/460/575V/3PH	1	2	015827	015827	015827
2	• SEAL, SQ-RING COVER	1		007773	007773	007773
3	• SEAL, THRU WALL TERM.	9		003402	003402	003402
4	HOUSING, MTR. & STR. 3PH/GE	1	1	010670	010670	010670
5	• OIL, DIELECTRIC (67 OZ CAN)	1		009064	009064	009064
6	ROTOR ASM. 3PH/GE	1		010268	010268	010268
7	RING, SNAP-5100-100 TRUARC	1		007769	007769	007769
8	KEY	1		011711	011711	011711
9	CORDAGE TERM. & SEAL/20/18-5 SOW-A/MS & THRML	1	2	012928	012928	012928
10	• SEAL, CORD-ASM./MS & THRML	1	2	012953	012953	012953
11	CORDAGE TERM. & SEAL/20/POWER	1	2	155430	155430	155430
12	• SEAL, CORD-ASM. & STRAIN RELIEF	1	2	015634	015634	015634
13	CASE & SEAL	1		015830	015830	015830
14	• PLUG, TEST-BRASS	3		015023	015023	015023
15	• BEARING, RADIAL .4724 ID	1		006703	006703	006703
16	• BEARING, ANGULAR CONTACT	1		007765	007765	007765
17	• SEAL, SQ-RING ADAPTER	1		007771	007771	007771
18	• SENSOR, MOISTURE ASM.	1		007770	007770	007770
19	ADAPTER ASM. GRINDER	1		009055	009055	009055
20	• OIL, DIELECTRIC (11 OZ CAN)	1		009056	009056	009056
21	• SEAL ASM., SHAFT	2		007763	007763	007763
22	• SEAL, SQ-RING SEAL PLATE	1		007772	007772	007772
23	PLATE, SEAL-MACH.	1		007757	007757	007757
24	IMPELLER-MACH. BRASS	1		015801	015801	015801
	IMPELLER-MACH. DUCTILE IRON		154276	154276	154276	
25	HOUSING, PUMP-MACH.	1		015800	015800	154089
	HOUSING, PUMP- MACH "841" HORZ DISCH		N/A	N/A	156931	
26	CUTTER & DISC ASM.	1		016136	018604	154536
27	SHIM SET	1		012632	012632	012632
28	GUARD, CUTTER-PLASTIC	1		008528	008528	N/A
29	HANDLE	1		016801	016801	016801
30	WIRE ASM.-P-P (1) WIRE	1		016134	016134	016134
31	RESISTOR	1		013740	013740	013740
32	• SCREW, #6-32 X .25RHM SL TC STLGR	1		001877	001877	001877
33	• SCREW, .313-18 X 1 HH CAP SS	2		002608	002608	002608
34	• SCREW, .313-18 X 1.25 HH CAP-SS	12		001908	001908	001908
35	• SCREW, #10-24 X .625" SH CAP SS	4		007774	007774	007774
36	• SCREW, .25-20 X .75 LG HH SS (NYLOCK PRE-COAT 80)	1		009545	N/A	N/A
	• SCREW, .25-20 X 1 LG HH SS (NYLOCK PRE-COAT 80)		N/A	018602	018602	
37	• SCREW, .25-20 X .75 SH CAP SS	3		007768	007768	N/A
	• SCREW, .25-20 X .75 SH CAP SS	6		N/A	N/A	007768
38	• SCREW, #10-24 X .875 FLT SH CAP SS	3		007761	007761	N/A
39	• WASHER, LOCK .312 ID	14		006402	006402	006402
40	• WASHER-RETAINING	1		008533	008533	008533
41	• WASHER FLAT SS	2		008773	008773	008773
42	• WASHER-FLAT SS .25 STANDARD	3		004480	004480	N/A
43	DISC, CUTTER	1		010407	010407	153203
44	CUTTER & SHIM ASM / 3 BLASE / 0.75" SCREW	1		019695	N/A	N/A
	CUTTER & SHIM ASM / 3 BLADE / 1" SCREW	1		N/A	019696	N/A
	CUTTER & SHIM ASM / 2 BLADE / 1" SCREW	1		N/A	N/A	154537
□	REBUILD KIT	1		016807	018605	018605

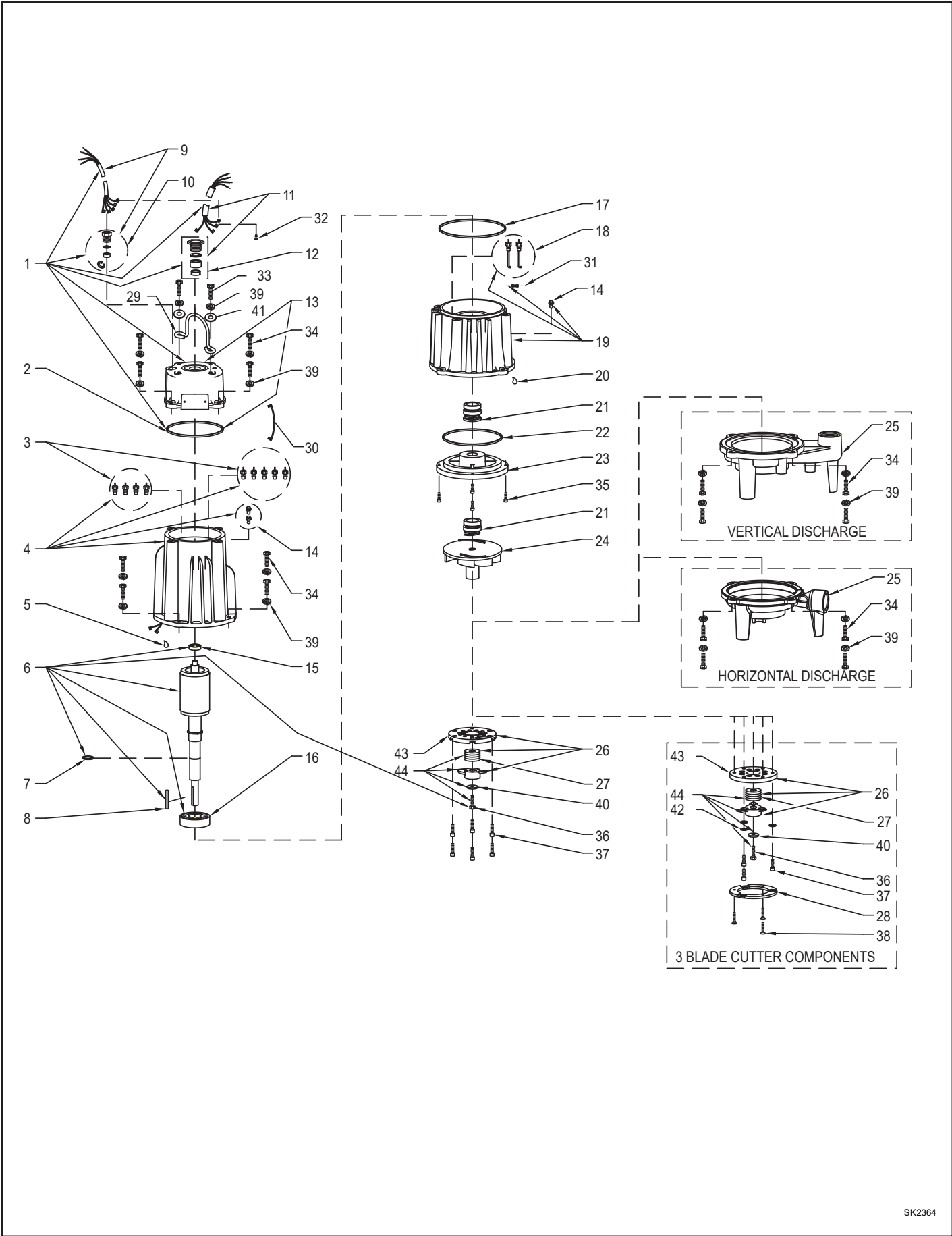
• Items included in Rebuild Kit.

□ Not Shown in Illustration.

NOTE:

- 1) Housing Mtr & Stator (Item 4) is preassembled at the factory and must be replaced as a unit. Stator is permanently attached to the Motor Housing. Plug (Item 14); Seal, Thru WallTerm. (Item 3) are replaceable.
- 2) If an "X" follows Model No., or Date Mfg. On ID tag, consult factory for ordering of this part.
- 3) See FM0160 Parts Price Sheet for listing of parts prices.
- 4) "NA" indicates not applicable.

REPLACEMENT PARTS ILLUSTRATION FOR 841 - ALL MODELS



SK2364