

Trusted. Tested. Tough.®



CL0033  
0224  
Supersedes  
0223

MAIL TO: P.O. BOX 16347 • Louisville, KY 40256-0347  
SHIP TO: 3649 Cane Run Road • Louisville, KY 40211-1961  
Tel: (502) 778-2731 • 1 (800) 928-PUMP

Visit our website:  
zoellerpumps.com

Product information presented here reflects conditions at time of publication. Consult factory regarding discrepancies or inconsistencies.

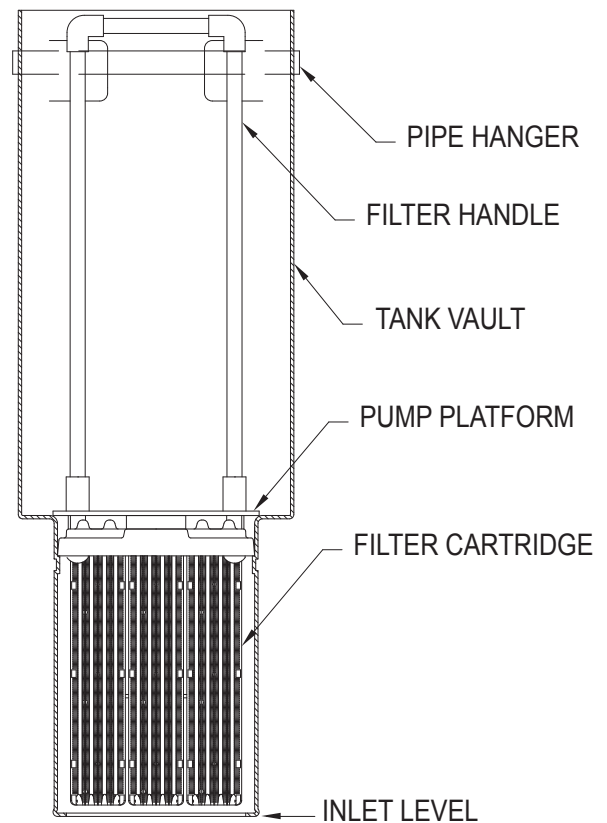
## Centrifugal STEP Vaults TECHNICAL SPECIFICATIONS

Includes filter pack with handle and pump chamber preassembled at factory.

Zoeller Pump Company Centrifugal STEP Vault includes filter pack with handle and pump chamber preassembled at the factory. Centrifugal STEP system stand available.

### Features

- Vault heights from 46" to 63" are available
- All vaults fit in an 18" septic tank opening
- Preassembled simplex packages with controls are available
- Non-corrodible polyethylene vault and polypropylene filter pack
- Incorporated filters screen solids to 1/16 inch
- Each Centrifugal STEP vault includes a removable filter pack with a handle
- STEP vault must hang as inlet is on the bottom



SK2031

Centrifugal STEP Vaults	
Part Number	Description
5040-0001	Centrifugal STEP vault / 46"
5040-0026	Centrifugal STEP vault / 50"
5040-0027	Centrifugal STEP vault / 63"
5040-0041	Centrifugal STEP system stand