

MAIL TO: P.O. BOX 16347 • Louisville, KY 40256-0347  
SHIP TO: 3649 Cane Run Road • Louisville, KY 40211-1961  
Tel: (502) 778-2731 • 1 (800) 928-PUMP

Visit our website:  
zoellerpumps.com

Product information presented here reflects conditions at time of publication. Consult factory regarding discrepancies or inconsistencies.

## 922 PREPACKAGED SYSTEMS

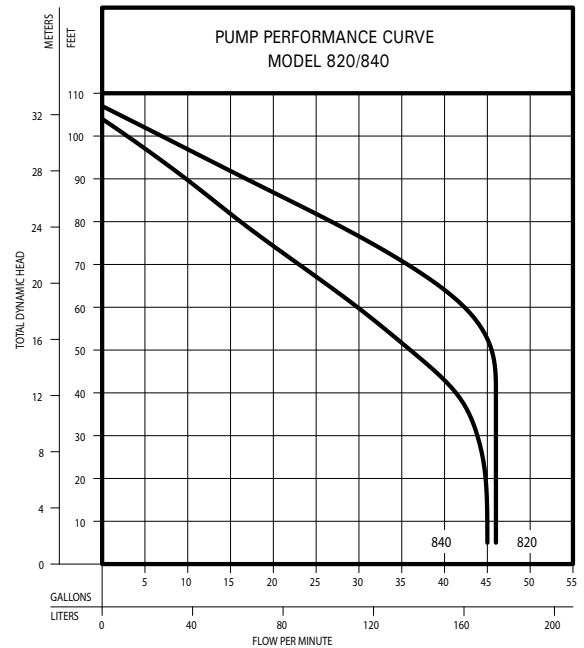
### MODEL 820/840 SHARK® SERIES GRINDER PUMPS

#### Shark® Series Grinder Pumps

- 820 – 2HP, 200-230 Volt/1 Phase, 14.5 FLA
- 840 – 2 HP, 230 Volt/1 Phase, 17.2 FLA, REVERSING
- 20' Power cord
- Corrosion resistant powder coated epoxy finish
- Discharge size - 1-1/4" NPT
- Oil-Filled - hermetically sealed motor
- Hardened 440C stainless steel cutter and disc
- Vortex impeller – engineered thermoplastic (820) or ductile iron (840).

#### Control Panel

- NEMA 4X watertight enclosure with lockable latch
- Motor contactor (Not available for plugger panel)
- Automatic reversing circuit (840 ONLY)
- Capacitors and motor starting relay (840 ONLY)
- Red alarm light & audible alarm (83 to 85 decibel rating)
- Horn silence and alarm test toggle switches
- Lockable latch
- Dry auxiliary contact
- 10-4012 – Indoor A-Park Alarm used with 922-0009 indoor package system. Includes float switch and power cord.
- 91104-0002 – Outdoor A-Park Alarm used with WDH820 outdoor package system. Includes float switch and power cord.

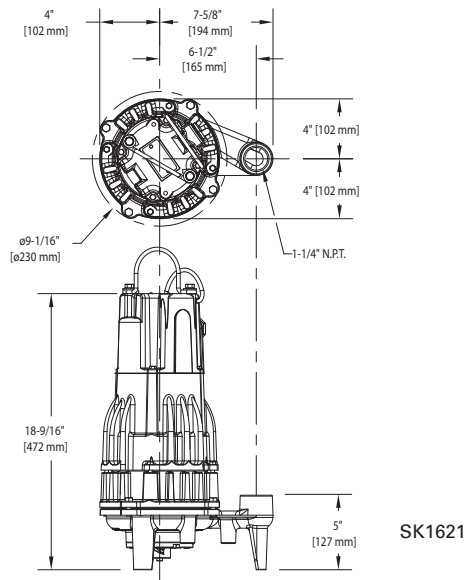


#### Float Switch

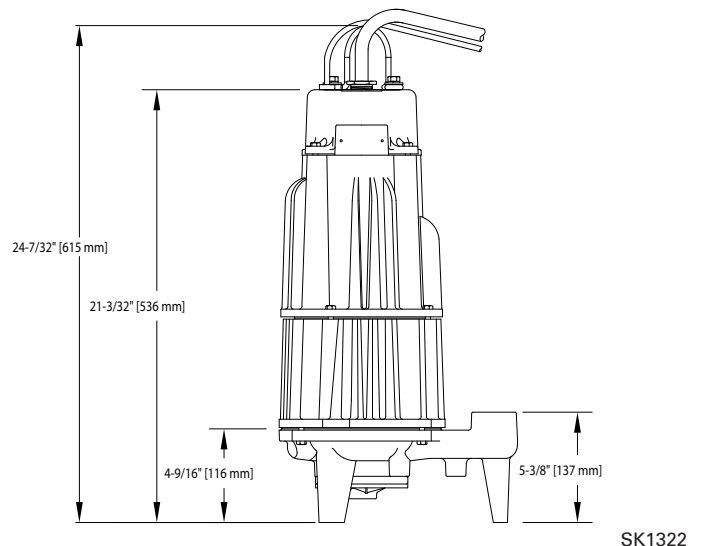
- EI820 or E840 Systems - (3) 20' Clamp mounted float switches
- WDH820 System - (1) 20' High Water Switch

157081

#### Model 820 - Single Directional



#### Model 840 - Auto - Reversing



Note: Consult factory for other basin configurations or custom built package systems.

## Basin Specifications

### Fiberglass Basin Assembly

- Solid fiberglass cover
- Anti-flotation device
- 2" Sch 80 discharge piping
- Float Tree
- 2" Ball and check valve installed
- 4" Inlet pipe seal loose for field install
- Stainless steel lifting cable

### Polyethylene Basin Assembly

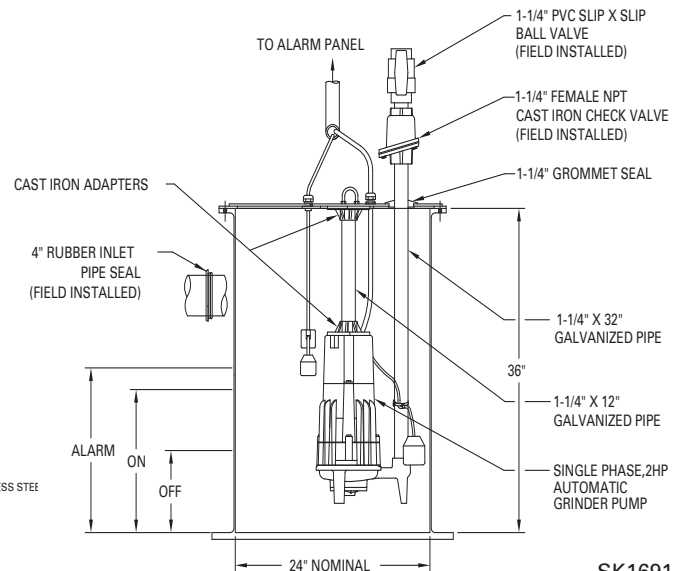
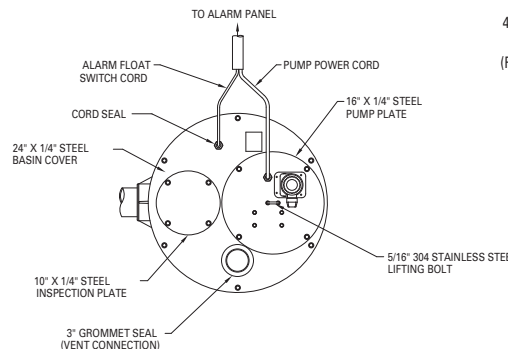
- Solid fiberglass cover
- Anti-flotation device
- 2" Sch 80 discharge piping
- Float Tree
- 2" Ball and check valve installed
- 4" Inlet pipe seal loose for field install
- Stainless steel lifting cable

## 820/840 SELECTION GUIDE

| Pump Model | Indoor/<br>Outdoor | Simplex/<br>Duplex | Basin      |              |              | Discharge<br>Depth | Cord<br>Lengths | Part<br>Number |
|------------|--------------------|--------------------|------------|--------------|--------------|--------------------|-----------------|----------------|
|            |                    |                    | Diameter   | Depth        | Material     |                    |                 |                |
| WDH820     | Indoor             | Simplex            | 24"        | 36"          | Fiberglass   | Cover              | 20'             | 922-0009       |
|            | Outdoor            | Simplex            | 24"        | 48"          | Fiberglass   | 12"                | 20'             | 922-0094       |
| E1820      | Outdoor            | Simplex            | 30"        | 48"          | Fiberglass   | 12"                | 20'             | 922-0096       |
|            |                    |                    | 24"        | 60"          | Fiberglass   | 24"                | 20'             | 922-0066       |
|            |                    |                    | 24"        | 72"          | Fiberglass   | 24"                | 20'             | 922-0067       |
|            |                    |                    | 24"        | 84"          | Fiberglass   | 48"                | 20'             | 922-0095       |
|            |                    |                    | 24"        | 84"          | Fiberglass   | 48"                | 50'             | 922-0081       |
|            |                    |                    | 24"        | 96"          | Fiberglass   | 48"                | 50'             | 922-0082       |
|            |                    |                    | 30"        | 72"          | Polyethylene | 27"                | 20'             | 922-0071       |
|            |                    | 30"                | 84"        | Polyethylene | 39"          | 20'                | 922-0072        |                |
|            |                    | Duplex             | 30"        | 84"          | Fiberglass   | 48"                | 20'             | 922-0097       |
| 36"        | 48"                |                    | Fiberglass | 19"          | 20'          | 922-0098           |                 |                |
| E840       | Outdoor            | Simplex            | 36"        | 72"          | Fiberglass   | 36"                | 20'             | 922-0099       |
|            |                    |                    | 24"        | 60"          | Fiberglass   | 24"                | 20'             | 922-0068       |
|            |                    |                    | 24"        | 72"          | Fiberglass   | 24"                | 20'             | 922-0069       |
|            |                    |                    | 30"        | 72"          | Polyethylene | 27"                | 20'             | 922-0073       |
|            |                    |                    | 30"        | 84"          | Polyethylene | 27"                | 20'             | 922-0074       |
|            |                    | Duplex             | 36"        | 60"          | Fiberglass   | 24"                | 20'             | 922-0065       |

## Indoor 922-0009

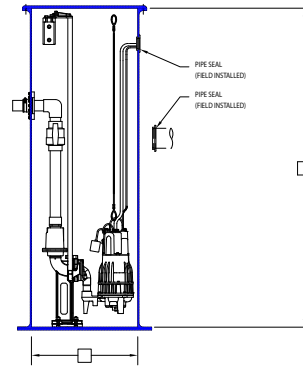
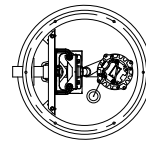
| Included: |                                    |
|-----------|------------------------------------|
| 820-0011  | WDH820, 230 Volt 1 Phase, 20' cord |
| 10-4012   | Indoor A-Pak Alarm                 |
| 10-0689   | Weight Assembly                    |
| 32-0011   | 24" x 36" Basin Assembly           |



SK1691

# Outdoor Simplex System - Fiberglass

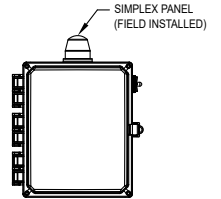
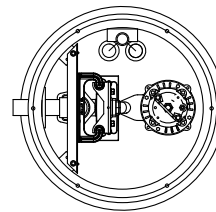
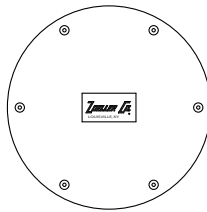
|  |                                    |
|--|------------------------------------|
| <input type="checkbox"/> <b>922-0094 Includes:</b> |                                    |
| 820-0011   | WDH820, 230 Volt 1 Phase, 20' cord |
| 91104-0002   | Outdoor A-Pak Alarm                |
| 33-2364  | 24" x 48" Basin Assembly           |
| <input type="checkbox"/> <b>922-0096 Includes:</b> |                                    |
| 820-0011   | WDH820, 230 Volt 1 Phase, 20' cord |
| 91104-0002   | Outdoor A-Pak Alarm                |
| 33-2365  | 30" x 48" Basin Assembly           |



SK3441

|  |                                       |
|--|---------------------------------------|
| <input type="checkbox"/> <b>922-0066 Includes:</b> |                                       |
| 820-0004   | EI820, 200-230 Volt 1 Phase, 20' cord |
| 31324-0001   | Simplex Pivot Control Panel           |
| (3) 10-0744  | 20' Float Switch                      |
| 33-2057  | 24" x 60" Basin Assembly              |
| <input type="checkbox"/> <b>922-0067 Includes:</b> |                                       |
| 820-0004   | EI820, 200-230 Volt 1 Phase, 20' cord |
| 31324-0001   | Simplex Pivot Control Panel           |
| (3) 10-0744  | 20' Float Switch                      |
| 33-2163  | 24" x 72" Basin Assembly              |
| <input type="checkbox"/> <b>922-0095 Includes:</b> |                                       |
| 820-0004   | EI820, 200-230 Volt 1 Phase, 20' cord |
| 31324-0001   | Simplex Pivot Control Panel           |
| (3) 10-0744  | 20' Float Switch                      |
| 33-2066  | 24" x 84" Basin Assembly              |
| <input type="checkbox"/> <b>922-0081 Includes:</b> |                                       |
| 820-0004   | EI820, 200-230 Volt 1 Phase, 50' cord |
| 31324-0001   | Simplex Pivot Control Panel           |
| (3) 10-1879  | 50' Float Switch                      |
| 33-2066  | 24" x 84" Basin Assembly              |
| <input type="checkbox"/> <b>922-0082 Includes:</b> |                                       |
| 820-0004   | EI820, 200-230 Volt 1 Phase, 50' cord |
| 31324-0001   | Simplex Pivot Control Panel           |
| (3) 10-1879  | 50' Float Switch                      |
| 33-2372  | 24" x 96" Basin Assembly              |
| <input type="checkbox"/> <b>922-0097 Includes:</b> |                                       |
| 820-0004   | EI820, 200-230 Volt 1 Phase, 20' cord |
| 31324-0001   | Simplex Pivot Control Panel           |
| (3) 10-0744  | 20' Float Switch                      |
| 33-2093  | 30" x 84" Basin Assembly              |
| <input type="checkbox"/> <b>922-0068 Includes:</b> |                                       |
| 840-0004   | E840, 230 Volt 1 Phase, 20' cord      |
| 23734-0001   | Simplex Pivot Reversing Panel         |
| (3) 10-0744  | 20' Float Switch                      |
| 33-2057  | 24" x 60" Basin Assembly              |

SOLID FIBERGLASS COVER



1/8" 302 STAINLESS STEEL LIFTING CABLE

FLOAT TREE ASSEMBLY

FLEX BOOT FITTING  
(LOCATION VARIES  
WITH BASIN DEPTH)

BALL VALVE

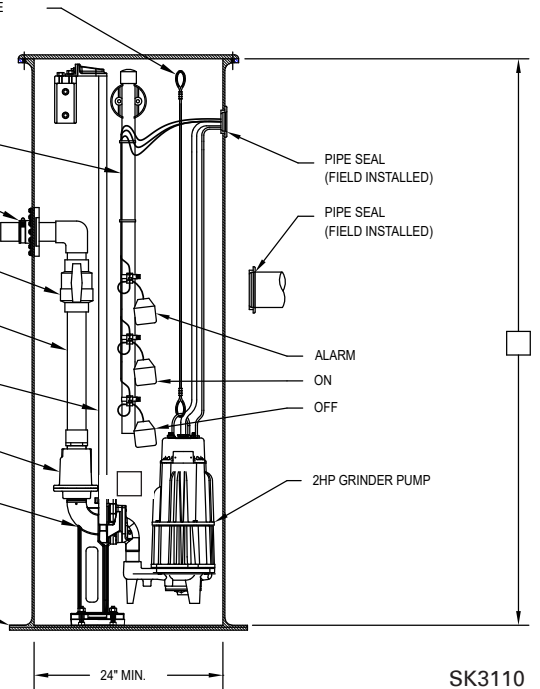
DISCHARGE PIPING

GUIDE RAILS

CHECK VALVE

Z-RAIL BASE ELBOW

FIBERGLASS AFD



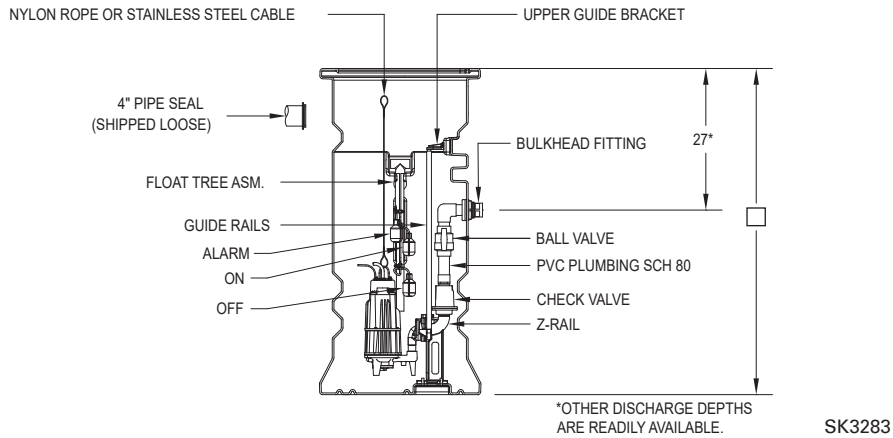
SK3110

|  |                                  |
|--|----------------------------------|
| <input type="checkbox"/> <b>922-0069 Includes:</b> |                                  |
| 840-0004   | E840, 230 Volt 1 Phase, 20' cord |
| 23734-0001   | Simplex Pivot Reversing Panel    |
| (3) 10-0744  | 20' Float Switch                 |
| 33-2163  | 24" x 72" Basin Assembly         |

## Outdoor Simplex System - Polyethylene

|  |                                       |
|--|---------------------------------------|
| <input type="checkbox"/> <b>922-0071 Includes:</b> |                                       |
| 820-0004   | EI820, 200-230 Volt 1 Phase, 20' cord |
| 31324-0001   | Simplex Pivot Control Panel           |
| (3) 10-0744  | 20' Float Switch                      |
| 33-3735  | 30" x 72" Basin Assembly              |
| <input type="checkbox"/> <b>922-0072 Includes:</b> |                                       |
| 820-0004   | EI820, 200-230 Volt 1 Phase, 20' cord |
| 31324-0001   | Simplex Pivot Control Panel           |
| (3) 10-0744  | 20' Float Switch                      |
| 33-3735  | 30" x 72" Basin Assembly              |
| 31-2949  | 30" x 12" Riser                       |

|  |                                  |
|--|----------------------------------|
| <input type="checkbox"/> <b>922-0073 Includes:</b> |                                  |
| 840-0004   | E840, 230 Volt 1 Phase, 20' cord |
| 23734-0001   | Simplex Pivot Reversing Panel    |
| (3) 10-0744  | 20' Float Switch                 |
| 33-2057  | 30" x 72" Basin Assembly         |
| <input type="checkbox"/> <b>922-0074 Includes:</b> |                                  |
| 840-0004   | E840, 230 Volt 1 Phase, 20' cord |
| 23734-0001   | Simplex Pivot Reversing Panel    |
| (3) 10-0744  | 20' Float Switch                 |
| 33-3735  | 30" x 72" Basin Assembly         |
| 31-2949  | 30" x 12" Riser                  |



## Outdoor Duplex System - Fiberglass

|  |                                       |
|--|---------------------------------------|
| <input type="checkbox"/> <b>922-0098 Includes:</b> |                                       |
| (2) 820-0004                                       | EI820, 200-230 Volt 1 Phase, 20' cord |
| 32324-0001   | Duplex Pivot Control Panel            |
| (3) 10-0744  | 20' Float Switch                      |
| 33-2108  | 36" x 48" Basin Assembly              |
| <input type="checkbox"/> <b>922-0099 Includes:</b> |                                       |
| (2) 820-0004                                       | EI820, 200-230 Volt 1 Phase, 20' cord |
| 32324-0001   | Duplex Pivot Control Panel            |
| (3) 10-0744  | 20' Float Switch                      |
| 33-2184  | 36" x 72" Basin Assembly              |
| <input type="checkbox"/> <b>922-0065 Includes:</b> |                                       |
| (2) 840-0004                                       | E840, 230 Volt 1 Phase, 20' cord      |
| 24734-0001   | Duplex Pivot Reversing Panel          |
| (3) 10-0744  | 20' Float Switch                      |
| 33-2111  | 36" x 60" Basin Assembly              |

