

MAIL TO: P.O. BOX 16347 • Louisville, KY 40256-0347  
 SHIP TO: 3649 Cane Run Road • Louisville, KY 40211-1961  
 Tel: (502) 778-2731 • 1 (800) 928-PUMP

Visit our website:  
 zoellerpumps.com

Product information presented here reflects conditions at time of publication. Consult factory regarding discrepancies or inconsistencies.

## TECHNICAL DATA SHEET

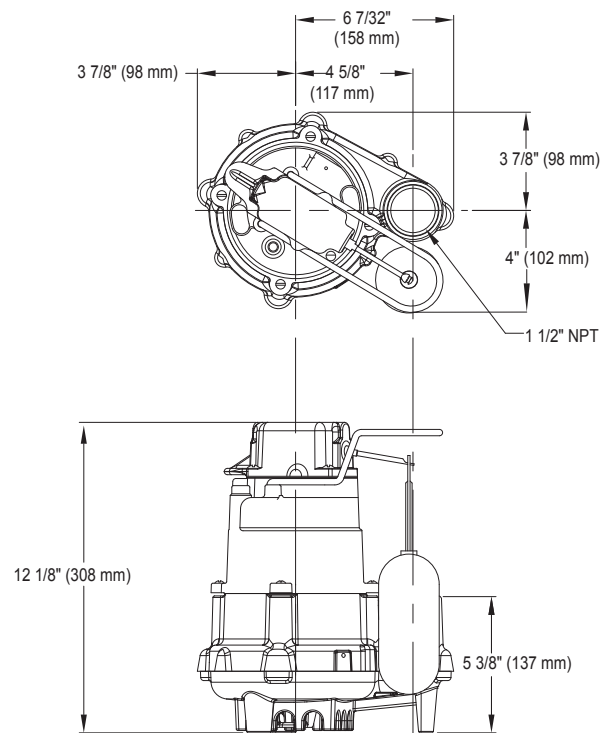
### PREMIUM SERIES MIGHTY-MATE

#### Cast Iron Model 95

#### Submersible Sump / Dewatering Pumps

### PRODUCT SPECIFICATIONS

<b>MOTOR</b>	Horse Power	1/2
	Voltage	115
	Phase	1 Ph
	Hertz	60 Hz
	RPM	3450
	Type	Permanent split capacitor
	Insulation	Class B
	Amps	10.5
<b>PUMP</b>	Operation	Automatic
	Auto On/Off Points	9-1/2" (24 cm) / 2-1/2" (6.4 cm)
	Discharge Size	1-1/2" NPT
	Solids Handling	1/2" (12 mm) spherical solids
	Cord Length	15' (4.6 m)
	Cord Type	UL listed, 3-wire, grounded plug
	Max. Head	26' (7.9 m)
	Max. Flow Rate	80 GPM (303 LPM)
	Max. Operating Temp.	130 °F (54 °C)
	Cooling	Oil filled
	Motor Protection	Auto reset thermal overload
	<b>MATERIALS</b>	Cap
Motor Housing		Cast iron
Pump Housing		Cast iron
Base		Cast iron
Upper Bearing		Sleeve bearing
Lower Bearing		Ball bearing
Mechanical Seals		Carbon and ceramic
Impeller Type		Non-clogging vortex
Impeller		Engineered thermoplastic
Hardware		Stainless steel
Motor Shaft		AISI 1215 cold rolled steel
Gasket		Neoprene



SK3129

NOTE: See model comparison chart for specific details.

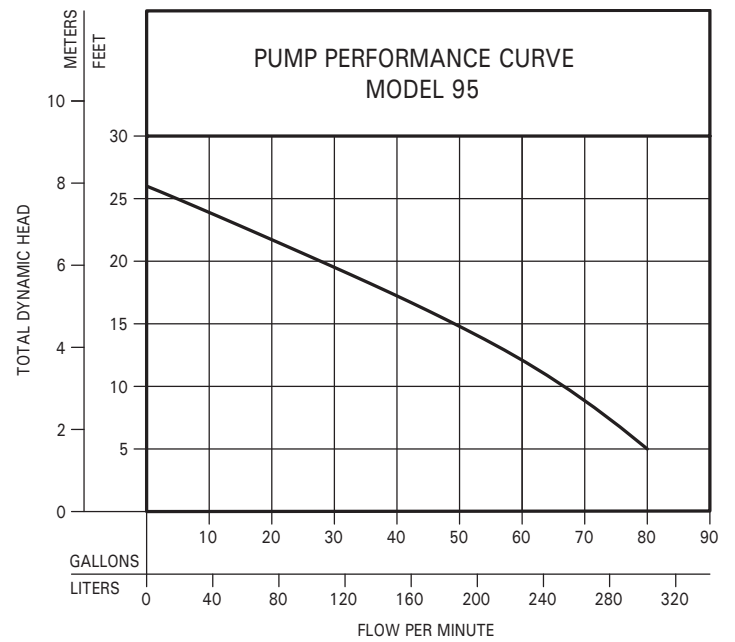
**Made In The USA.**

**Using a majority of U.S. content.**



## TOTAL DYNAMIC HEAD FLOW PER MINUTE

MODEL		95	
Feet	Meters	Gal.	Liters
5	1.5	80	303
10	3.0	68	257
15	4.6	50	189
20	6.1	28	106
25	7.6	5	19
Shut-off Head:		26.0 ft (7.9 m)	



154422

Model	MODEL COMPARISON											CERTIFICATIONS
	Seal	Mode	Volts	Ph	Amps	HP	Hz	Lbs	Kg	Simplex	Duplex	cCSAus
M95	Single	Auto	115	1	10.5	1/2	60	38	17	1	---	Y

\* Single piggyback switch included.

## SPECIAL MODEL FEATURES

This unit is equipped with Zoeller LED Plug that shows power to the pump.

Has a cast iron switch case, motor and pump housing, base, and a thermoplastic impeller.

Optional pump stand (P/N 10-2421). Integral float-operated electro-mechanical switch, no external control required.

### CAUTION

All installation of controls, protection devices and wiring should be done by a qualified licensed electrician. All electrical and safety codes should be followed including the most recent National Electrical Code (NEC) and the Occupational Safety and Health Act (OSHA).