

MAIL TO: P.O. BOX 16347 • Louisville, KY 40256-0347  
 SHIP TO: 3649 Cane Run Road • Louisville, KY 40211-1961  
 Tel: (502) 778-2731 • 1 (800) 928-PUMP

Visit our website:  
 zoellerpumps.com

Product information presented here reflects conditions at time of publication. Consult factory regarding discrepancies or inconsistencies.



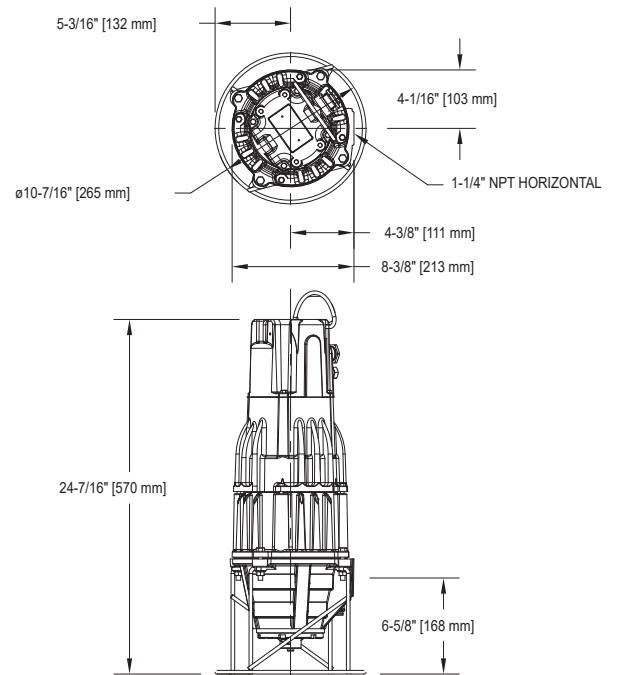
# TECHNICAL DATA SHEET

## SEWAGE WASTE SERIES

### Models 810, 815 Progressing Cavity Grinder Pumps

#### PRODUCT SPECIFICATIONS

<b>MOTOR</b>	Horse Power	1 (810), 2 (815)
	Voltage	230
	Phase	1 Ph
	Hertz	60 Hz
	RPM	1725
	Type	Permanent split capacitor
	Insulation	Class B
	Amps	7.0 (810), 10.5 (815)
<b>PUMP</b>	Operation	Nonautomatic
	Discharge Size	1-1/4" NPT horizontal
	Cord Length	20' (6 m) standard
	Cord Type	SOW or SOOW, multi-wire neoprene
	Max. Head	810: 150' (45.7 m), 815: 240' (73.2 m)
	Max. Flow Rate	14.6 GPM (55 LPM)
	Max. Operating Temp.	130 °F (54 °C)
	Cooling	Oil filled
	Motor Protection	Auto reset thermal overload
	<b>MATERIALS</b>	Cap
Motor Housing		Cast iron
Adapter		Cast iron
Pump Housing		Cast iron
Upper Bearing		Ball bearing
Lower Bearing		Ball bearing
Mechanical Seals		Carbon/ceramic
Hydraulic Rotor		Stainless steel
Hydraulic Stator		Buna-N
Hardware		Stainless steel
Motor Shaft		Stainless steel
Gasket & Square Ring		Neoprene
Cutter		Hardened stainless steel, Rockwell C55-60

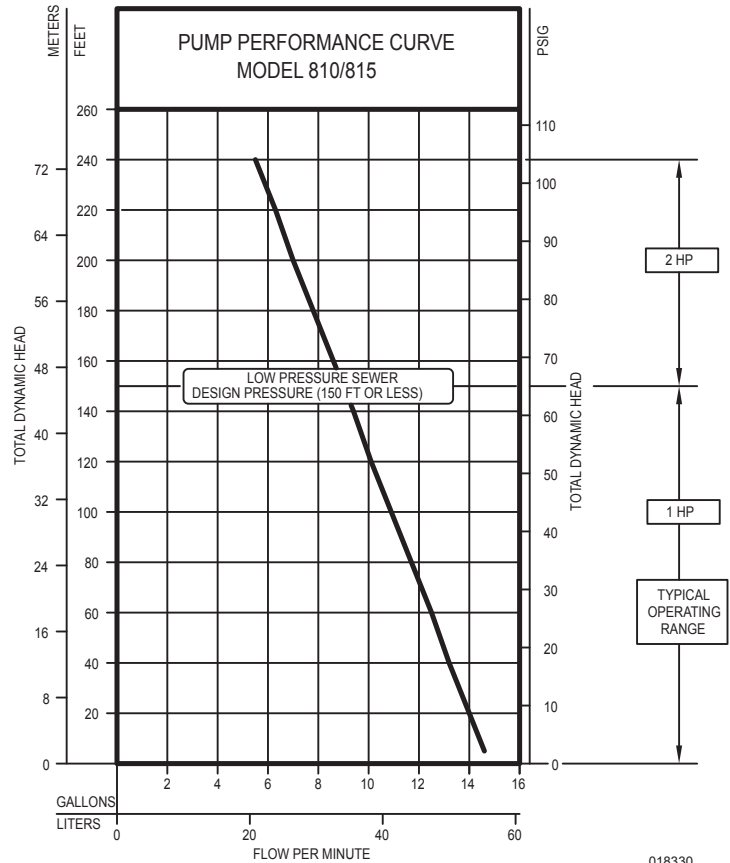


SK2533



## TOTAL DYNAMIC HEAD FLOW PER MINUTE

	Feet	Meters	Gal.	Liters
MODEL 810	5	1.5	14.6	55
	10	3.0	14.4	55
	20	6.1	14.0	53
	40	12.2	13.2	50
	60	18.3	12.5	47
	80	24.4	11.7	44
	100	30.5	10.9	41
	120	36.6	10.1	38
	140	42.7	9.4	36
MODEL 815	150	45.7	9.0	34
	160	48.8	8.6	33
	180	54.9	7.8	30
	200	61.0	7.0	27
	220	67.1	6.3	24
	240	73.2	5.5	21



Model	MODEL COMPARISON								
	Seal	Mode	Volts	Ph	Amps	HP	Hz	Lbs	Kg
E810	Single	Non	230	1	7.0	1	60	88	40
E815	Single	Non	230	1	10.5	2	60	91	41

**CAUTION** All installation of controls, protection devices and wiring should be done by a qualified licensed electrician. All electrical and safety codes should be followed including the most recent National Electrical Code (NEC) and the Occupational Safety and Health Act (OSHA).

### A) GRINDER SYSTEMS

#### STANDARD FEATURES:

- 1-1/4" NPT discharge
- Carbon/ceramic tandem seals
- Thermal overload protection
- Hydraulic stainless steel rotor and Buna-N stator
- Stainless steel cutter plate / cutter
- Stainless steel shaft
- Stainless steel hardware
- Corrosion-resistant, powder coated epoxy paint
- 20' (6 m) power cord cord

#### Options:

- 25' (8 m) long cords
- 35' (11 m) long cords
- 50' (15 m) long cords

**CAUTION** To ensure proper pump operation, a swing or flapper style check valve must be installed in the pump discharge line. A faulty or non-functional check valve when combined with a pressure sewer may prevent the pump from starting.

Maximum operating temperature 130 °F (54 °C).

Note: All variable level float switches in this section are mechanically activated and do not contain mercury.

SIMPLEX PANEL
<p><b>B) CONTROL PANEL</b></p> <p><input type="checkbox"/> P/N 10-1212 Simplex panel, NEMA 4X, with high water alarm and pump circuit breaker, less float switches.</p>
<p><b>C) FLOAT SWITCHES - 2 required</b></p> <p>Pump: One pump switch Alarm: One control switch</p> <p><input type="checkbox"/> P/N 10-0706 piggy-back pump switch with 20' (6 m) cord</p> <p><input type="checkbox"/> P/N 10-0311 piggy-back pump switch with 25' (8 m) cord</p> <p><input type="checkbox"/> P/N 10-1956 piggy-back pump switch with 35' (11 m) cord</p> <p><input type="checkbox"/> P/N 10-0744 mechanical control switch with 20' (6 m) cord</p> <p><input type="checkbox"/> P/N 10-1877 mechanical control switch with 25' (8 m) cord</p> <p><input type="checkbox"/> P/N 10-1878 mechanical control switch with 35' (11 m) cord</p>
<p><b>D) JUNCTION BOX - optional</b></p> <p><input type="checkbox"/> P/N 10-2145 NEMA 4X with 3 cord seals and conduit connection.</p>

**OUTDOOR SYS. w/ FLEX HOSE DC**

**FIBERGLASS BASIN AND COVER**  
**1.25" FLEXIBLE HOSE w/ DISCONNECT**

P/N 35-0006 24" x 48" (61 x 122 cm)

P/N 35-0007 24" x 60" (61 x 152 cm)

P/N 35-0008 24" x 72" (61 x 183 cm)

P/N 35-0084 24" x 84" (61 x 213 cm)

SK2540

- Fiberglass basin with anti-flotation ring
- Flex-hose discharge with disconnect
- 1-1/4" PVC discharge pipe from disconnect
- 1' Pull rod and 8' (2.4 m) stainless steel lifting cable
- 1-1/4" PVC ball valve(s), 1-1/4" brass check valve(s), and 1-1/4" brass anti-siphon device
- 1-4" Rubber inlet pipe seal (field inst.)
- Solid fiberglass cover with Zoeller imprint

**OUTDOOR SYSTEM w/ Z-Rail®**

**FIBERGLASS BASIN AND COVER**  
**Z-RAIL® DISCONNECT SYSTEM**

24" x 60" (61 x 152 cm) P/N 33-1598

24" x 72" (61 x 183 cm) P/N 33-1597

24" x 84" (61 x 213 cm) P/N 33-1594

24" x 96" (61 x 244 cm) P/N 33-1596

SK3091

- Fiberglass basin with anti-flotation ring
- 1-1/4" Schedule 80 PVC discharge piping
- 1-1/4" H x 1-1/4" Z-rail® P/N 39-0137 disconnect system, epoxy coated ductile iron
- 3/4" galvanized rail pipes
- Stainless steel lifting cable
- 1-1/4" brass ball valve
- 1-1/4" brass check valve
- Anti-siphon device
- PVC float tree
- 1-4" rubber inlet pipe seal (field inst.)
- 1-2" pipe seal (field inst.) for electrical conduit
- Solid fiberglass cover with Zoeller imprint

## PREPACKAGED AND JOB READY SYSTEMS

### ACCESSORIES FOR FIELD-ASSEMBLED SYSTEMS

<p><b>FLEX-HOSE DISCHARGE ASM.</b></p> <p><input type="checkbox"/> P/N 10-2038 with 30" (76 cm) hose</p> <p><b>Z-RAIL® DISCONNECT SYSTEM</b></p> <p><input type="checkbox"/> P/N 39-0137 1-1/4" (3.2 cm) H x 1-1/4" (3.2 cm) V ductile Iron</p> <p><input type="checkbox"/> P/N 39-0138 1-1/4" (3.2 cm) H x 1-1/4" (3.2 cm) V with stainless steel upper bracket</p> <p><input type="checkbox"/> P/N 39-0139 Intermediate bracket stainless steel</p>	<p><b>STAINLESS STEEL LIFTING CABLES AND ROD</b></p> <p><input type="checkbox"/> P/N 39-0031 8' (2.4 m) cable</p> <p><input type="checkbox"/> P/N 39-0032 12' (3.7 m) cable</p> <p><input type="checkbox"/> P/N 39-0069 1' (0.3 m) rod</p> <p><input type="checkbox"/> P/N 10-0789 stainless steel lifting bail</p> <p><b>PREWIRED CONDUIT (10-0580 Qwik Box Required)</b></p> <p><input type="checkbox"/> P/N 5100-0016 - 25' (8 m)</p> <p><input type="checkbox"/> P/N 5100-0017 - 35' (11 m)</p> <p><input type="checkbox"/> P/N 5100-0018 - 50' (15 m)</p>	<p><b>GALVANIZED 1.25" DISCH. ELBOW</b></p> <p><input type="checkbox"/> P/N 018386</p> <p><b>CHECK VALVE</b></p> <p><input type="checkbox"/> P/N 30-0223 1.25" NPT brass</p> <p><b>BALL VALVE</b></p> <p><input type="checkbox"/> P/N 30-0165 1.25" PVC</p> <p><input type="checkbox"/> P/N 30-0213 1.25" NPT brass</p>
---	--	---

### FIELD-MOUNT SYSTEMS

SIMPLEX		OUTDOOR		INDOOR	
REQ.	REQ.	REQ.	REQ.	REQ.	REQ.
1 810 or 815 grinder	P/N ____ (A)	1 810 or 815 grinder	P/N ____ (A)	1 810 or 815 grinder	P/N ____ (A)
1 control panel/alarm system	P/N ____ (B)	1 control panel/alarm system	P/N ____ (B)	1 alarm panel	P/N ____ (B)
1 piggyback pump switch	P/N ____ (C)	1 piggyback pump switch	P/N ____ (C)	1 piggyback pump switch	P/N ____ (C)
1 control switch (if required)	P/N ____ (C)	1 control switch (if required)	P/N ____ (C)	1 weight for alarm float	P/N ____ (C)
1 weight for alarm float (if required)	P/N ____ (D)	1 junction box (if required)	P/N ____ (D)	1 basin, cover and hardware	P/N ____ (F)
1 junction box (Optional)	P/N ____ (F)	1 basin, cover and hardware	P/N ____ (F)		
1 optional accessories	P/N ____ (F)				
	P/N ____ (F)				
	P/N ____ (F)				
	P/N ____ (F)				