

Product information presented here reflects conditions at time of publication. Consult factory regarding discrepancies or inconsistencies.



MAIL TO: P.O. BOX 16347 • Louisville, KY 40256-0347  
SHIPTO: 3649 Cane Run Road • Louisville, KY 40211-1961  
TEL: (502) 778-2731 • 1 (800) 928-PUMP • FAX: (502) 774-3624

Visit our web site:  
[zoellerpumps.com](http://zoellerpumps.com)

# INSTALLATION PROCEDURES

Notice to installing contractor: Instructions must remain with installation.

## Pump Disconnects and Rail Systems

P/N 006152

### Pump Disconnects

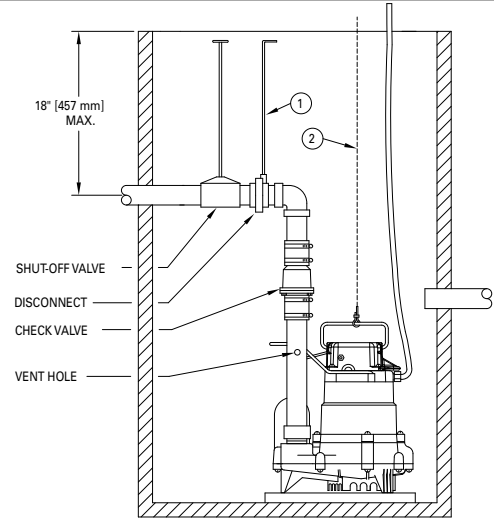
	Size
P/N 39-0053	1-1/4"
P/N 39-0001	1-1/2"
P/N 39-0002	2"

Use in installations where discharge is no lower than 18" below grade.

Point of discharge should be above the liquid level. Visibility of the discharge connection is desired because guide rails are not used.

Stainless steel pull rods (1) are used on the disconnect for removal. Rods are purchased separately to desired length.

A suitable chain (2) or other means must be used for lifting pump to avoid binding and strain on the pump discharge and disconnect system.



SK730

### Guide Rail Disconnect Systems (Effluent or Sewage)

	Size
P/N 39-0003	1-1/2" NPT
P/N 39-0004	2" NPT

These models are complete systems used for installations with total depth of over 5' and discharge pipe 18" or more below grade and particularly when the liquid level is above the discharge level. They can also be used for sewage installations as the discharge pipe can pass between the 2" rail standoff bars and out the cover.

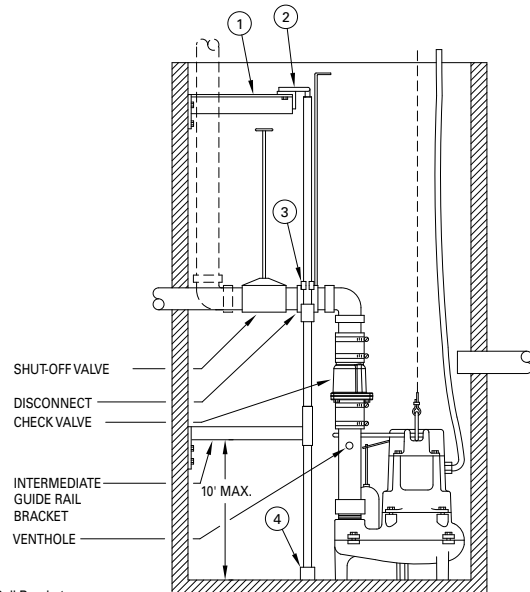
Use 3/4" IPS pipe rails on 1-1/2" and 2" systems. A brass foot guide is supplied and set screws are used for locking the pipe in the foot guide. 3/4" pipe rails (supplied by the customer) can be galvanized, stainless steel (recommended), or PVC Scd. 80 (optional).

Stainless steel pull rods are used on the disconnect fittings. 3/16" Pull rods are purchased separately to the desired length for P/N 39-0003 and P/N 39-0004 units. (Pump must be lifted by a separate chain.)

Guide rail brackets and steel stand off brackets are included with each system to support upper end of the guide rail pipes. The stationary half can be attached to the pit by drilling and bolting in place.

One intermediate guide rail bracket is required for every 10 feet of rail. Use 39-0022 for 3/4" IPS pipe.

**CAUTION** Pulling of pump will disconnect the disconnect fitting on most installations. If flexible pipe is used between pump discharge and disconnect fitting, a pull rod must be used simultaneously as the pump is pulled from the pit.



\*Intermediate Guide Rail Brackets required if rails are over 10 ft. long.

SK731

**CAUTION** The pull rod is not intended to be the sole means of reinstalling the pump. A suitable chain or other means is required to align the pump and disconnect for proper installation.

**CAUTION** The pump unit must be supported from beneath with concrete blocks (effluent systems) or the basin floor (sewage systems) when using this system.

## 4" Guide Rail Systems

Part No.	Description
39-0154	4" Pipe Flange with ductile Iron plate and guides and stainless steel upper supports
39-0155	4" Pipe Flange with bronze mounting plate and guide for Hazardous Locations and stainless steel upper support

\* An Intermediate Guide Rail Bracket 39-0013 (Carbon Steel) or 39-0014 (Stainless Steel) is required for every 15 ft. of Guide Rail length (Not Included).

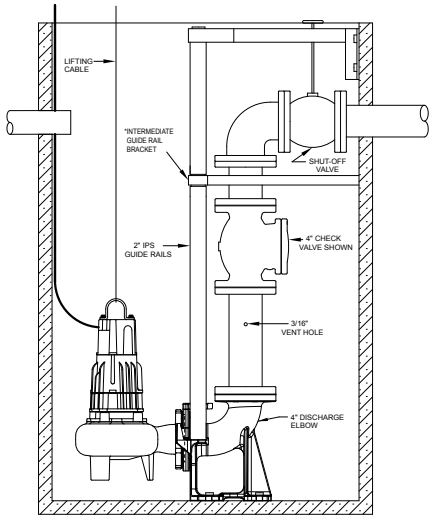
This model is a complete system used in sewage or dewatering installations with side outlet flanged pumps. It can be used in basins at any depth with intermediate stabilizer support brackets over 15' in depth. The guide rail system is particularly useful when the liquid level is above the discharge pipe. The pump can be removed for service or repair without draining the basin.

Use 2" schedule 40 steel pipe for guide rail. Pipe is furnished by the user. A 4" flanged discharge elbow is supplied with the rail system which also supports the lower rail guides.

A permanently attached chain or cable, furnished by the user, should be installed for removing the pump from a flooded basin. It is not necessary to use a separate pull chain on the cast iron mounting plate which is bolted to the pump discharge flange.

The upper guide rail bracket is included with each system. The intermediate stabilizer support brackets are ordered separately for each 15 foot of basin depth.

**CAUTION** The cantilevered weight of the pump is required for compressing and sealing the mounting plate gasket against the face of the discharge elbow. If the pump is supported from beneath with concrete blocks or extended legs on the pump base, make certain the mounting plate gasket is sufficiently compressed for sealing.



SK1100

Parts List for 39-0003 & 39-0004 (Ref. front side)				
Item No.	Description	Qty.	Part No.	Used on
1	Rail Stand-Off	2 ea.	005776	39-0003, 39-0004
2	Rail Top Guide	1 ea.	005777	39-0003, 39-0004
3	Rail Disconnect Fitting	1 ea.	005778	39-0003
3	Rail Disconnect Fitting	1 ea.	005779	39-0004
4	Rail Floor Guide	1 ea.	005780	39-0003, 39-0004
Parts List for 39-0154 (Ref. above)				
Item No.	Description	Qty.	Part No.	Used on
1	Powder Coated Ductile Iron Discharge Elbow	1 ea.	154400	39-0154
2	Stainless Steel Hardware	-	Consult Factory	39-0154
3	Powder coated ductile iron mounting plate and rail guides	1 ea.	154402	39-0154
4	Buna-N O-ring	2 ea.	154795	39-0154
**5	Stainless steel intermediate stabilizer bracket	1 ea.	006050	39-0154
6	Stainless steel upper guide rail support bracket	1 ea.	006045	39-0154
Parts List for 39-0155 (Ref. above)				
Item No.	Description	Qty.	Part No.	Used on
1	Powder Coated Ductile iron discharge elbow	1 ea.	154400	39-0155
2	Stainless steel hardware	-	Consult Factory	39-0155
3	Bronze mounting plate and rail guides	1 ea.	154404	39-0155
4	Buna-N O-ring	2 ea.	154795	39-0155
**5	Stainless Steel intermediate stabilizer bracket	1 ea.	006050	39-0155
6	Stainless steel upper guide rail support bracket	1 ea.	006045	39-0155

\*\* Optional Order P/N for pit depths greater than 15 ft.



**WARNING** All installation of controls, protection devices and wiring should be done by a qualified licensed electrician. All electrical and safety codes should be followed including the most recent National Electrical Code (NEC) and the Occupational Safety and Health Act (OSHA).