

MAIL TO: P.O. BOX 16347 • Louisville, KY 40256-0347  
 SHIP TO: 3649 Cane Run Road • Louisville, KY 40211-1961  
 Tel: (502) 778-2731 • 1 (800) 928-PUMP

Visit our website:  
 zoellerpumps.com

Product information presented here reflects conditions at time of publication. Consult factory regarding discrepancies or inconsistencies.

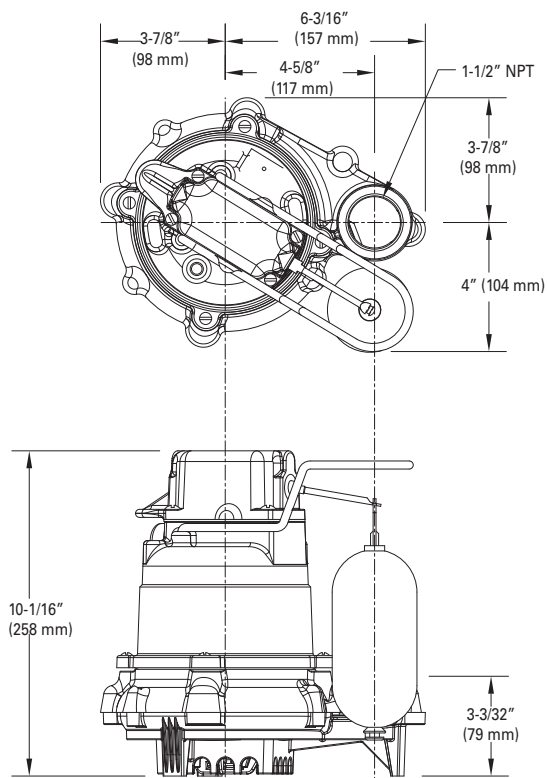
## TECHNICAL DATA SHEET

### PREMIUM SERIES MIGHTY-MATE CAST IRON MODEL 63

#### Submersible Sump / Dewatering Pumps

#### PRODUCT SPECIFICATIONS

<b>MOTOR</b>	Horse Power	3/10
	Voltage	115
	Phase	1 Ph
	Hertz	60 Hz
	RPM	1550
	Type	Shaded pole
	Insulation	Class B
	Amps	9.7
<b>PUMP</b>	Operation	Automatic
	Auto On/Off Points	7-1/4" (18.4 cm) / 3" (7.6 cm)
	Discharge Size	1-1/2" NPT
	Solids Handling	1/2" (12 mm) spherical solids
	Cord Length	10' (3.1 m)
	Cord Type	3-wire, grounded plug
	Max. Head	19.25' (5.9 m)
	Max. Flow Rate	43 GPM (163 LPM)
	Max. Operating Temp.	130 °F (54 °C)
	Cooling	Oil filled
	Motor Protection	Auto reset thermal overload
<b>MATERIALS</b>	Cap	Cast iron
	Motor Housing	Cast iron
	Pump Housing	Cast iron
	Base	Cast iron (Optional - Engineered Synthetic)
	Upper Bearing	Sleeve bearing
	Lower Bearing	Sleeve bearing
	Mechanical Seals	Carbon and ceramic
	Impeller Type	Non-clogging vortex
	Impeller	Cast iron (Optional - Engineered Synthetic)
	Hardware	Stainless steel
	Motor Shaft	AISI 1215 cold rolled steel
Gasket	Neoprene	



SK858

NOTE: See model comparison chart for specific details.

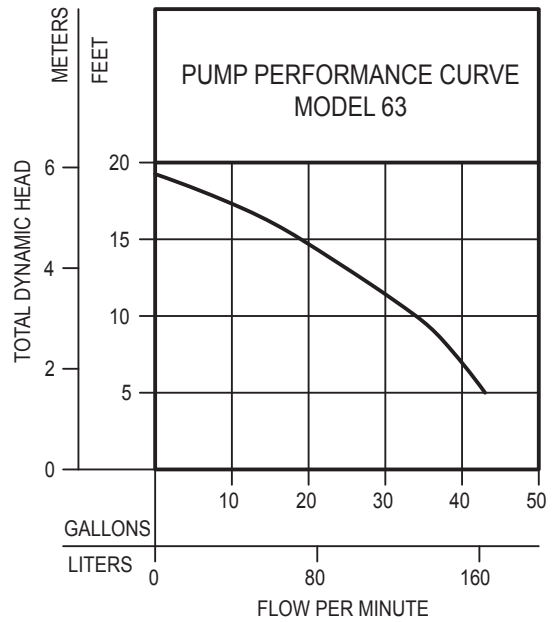
**Made In The USA.**

**Using a majority of U.S. components.**



## TOTAL DYNAMIC HEAD FLOW PER MINUTE

MODEL		63	
Feet	Meters	Gal.	Liters
5	1.5	43	163
10	3.0	34	129
15	4.6	19	72
Shut-off Head:		19.25 ft.(5.9 m)	



153854

Model	MODEL COMPARISON											CERTIFICATIONS
	Seal	Mode	Volts	Ph	Amps	HP	Hz	Lbs	Kg	Simplex	Duplex	cCSAus
M63	Single	Auto	115	1	9.7	3/10	60	23	10	1	---	Y

\* Single piggyback switch included.

## SPECIAL MODEL FEATURES

Has a lighted plug, cast iron switch case, motor and pump housing, a cast iron impeller and base.

Optional pump stand (P/N 10-2421). Integral float-operated electro-mechanical switch, no external control required.

### CAUTION

All installation of controls, protection devices and wiring should be done by a qualified licensed electrician. All electrical and safety codes should be followed including the most recent National Electrical Code (NEC) and the Occupational Safety and Health Act (OSHA).