

MAIL TO: P.O. BOX 16347 • Louisville, KY 40256-0347
SHIP TO: 3649 Cane Run Road • Louisville, KY 40211-1961
Tel: (502) 778-2731 • 1 (800) 928-PUMP

Visit our website:
zoellerpumps.com

Product information presented here reflects conditions at time of publication. Consult factory regarding discrepancies or inconsistencies.

REPLACEMENT PARTS LIST FOR MODELS:

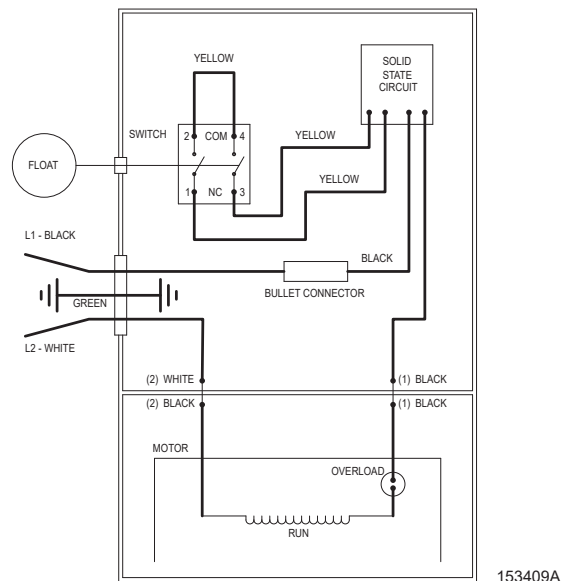
M63 AUTOMATIC 115V

Consult factory for all other models.

TO ORDER REPLACEMENT PARTS:

PLEASE FURNISH THE FOLLOWING INFORMATION:

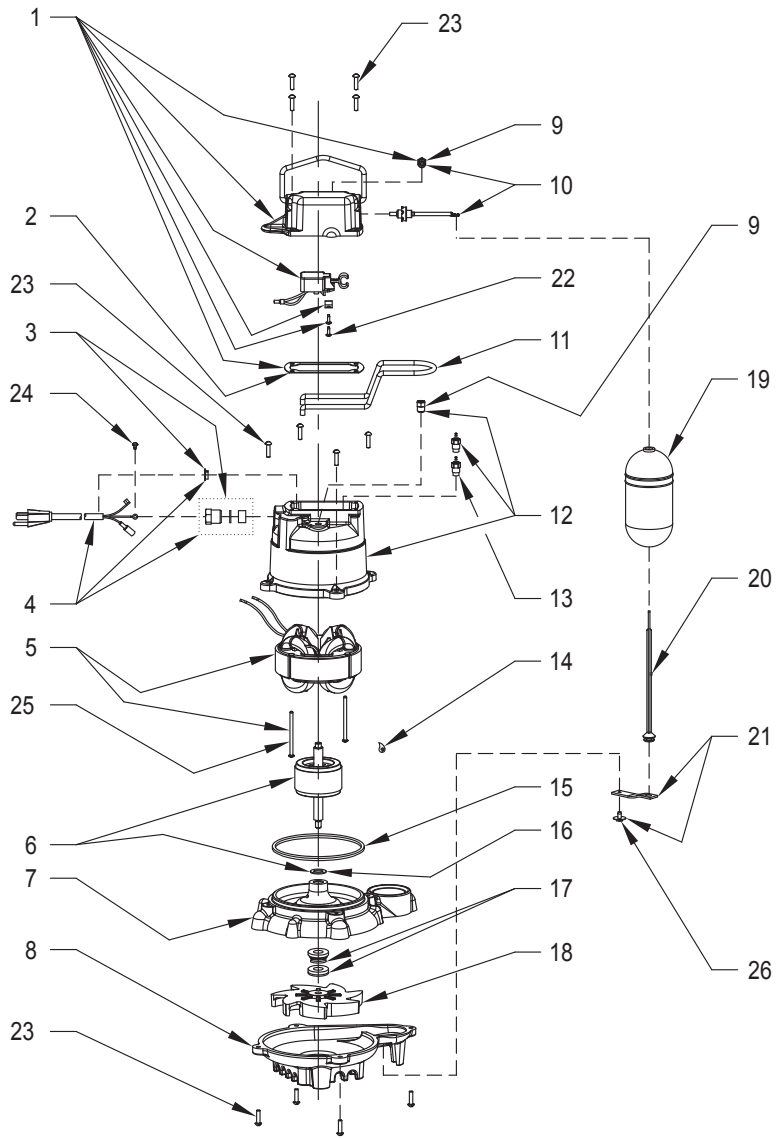
- Model number
- Part number of pump.
- Part number and description of part



153409A
WIRING DIAGRAM FOR MODEL
"M63"
1/16 thru Current

REPLACEMENT PARTS LIST AND ILLUSTRATION FOR MODEL "M63".

		MODELS:		M63-A	
REF NO.		DESCRIPTION	QTY	NOTES	1/16 thru Current
1		CASE AND SWITCH ASSEMBLY	1		153860
2	•	GASKET, CASE/COVER	1		034046
3	•	CORD SEAL ASSEMBLY	1		153861
4		CORD ASSEMBLY 15'	1		153862
		CORD ASSEMBLY 25'			156147
5		STATOR AND SCREWS	1		007951
6		ROTOR ASSEMBLY	1		054032
7		PUMP HOUSING	1		057018
8		BASE CAST IRON	1		057029
		BASE SYNTHETIC		002690	
9	•	TEST PLUG - SILVER	2		153855
10	•	ARM AND SEAL ASSEMBLY	1		004704
11		GUARD	1		004645
12		MOTOR HOUSING ASSEMBLY	1		154433
13	•	THRU WALL TERMINAL SEALS	2		003402
14	•	DIELECTRIC OIL (19 OZ)	1		002588
15	•	MOTOR HOUSING SEAL	1		034007
16	•	ROTOR THRUST WASHER	1		002140
17	•	SHAFT SEAL ASSEMBLY	1		267027
18		IMPELLER CAST IRON	1		057010
		IMPELLER SYNTHETIC		003644	
19		FLOAT	1		153338
20		FLOAT ROD	1		153336
21		FLOAT ROD GUIDE ASSEMBLY	1		034086
22	•	SCREW, #6-32 X 7/16 PAN HEAD PHILLIPS	2		004644
23	•	SCREW, #10-24 X 3/4 ROUND HEAD SLOTTED SS CAST	12		001885
		SCREW, #10-24 X 3/4 ROUND HEAD SLOTTED SS SYNTHETIC			
24	•	SCREW #6-32 X 1/4 ROUND HEAD SLOTTED GREEN SS	1		001877
25	•	SCREW, STATOR 8-32 X 2-17/32	2		001914
26	•	SCREW, SEM FASTENER 10-24 X 3/8 SLOTTED HEX HEAD - 11/16 WASHER	1		002000
□		REBUILD KIT "63" (1/15 THRU CURRENT)	1		153865



SK3100

• Items included in Rebuild Kit. □ Not Shown in Illustration.

NOTES:

- 1) See FM0160 Parts Price Sheet for listing of parts prices.
- 2) "NA" indicates, not applicable.
- 3) If an "X" follows Model No., or Date Mfg. on brass ID tag, consult factory for ordering any parts.



MAIL TO: P.O. BOX 16347 • Louisville, KY 40256-0347
 SHIP TO: 3649 Cane Run Road • Louisville, KY 40211-1961
 Tel: (502) 778-2731 • 1 (800) 928-PUMP
 Trusted. Tested. Tough.®

Visit our website:
zoellerpumps.com