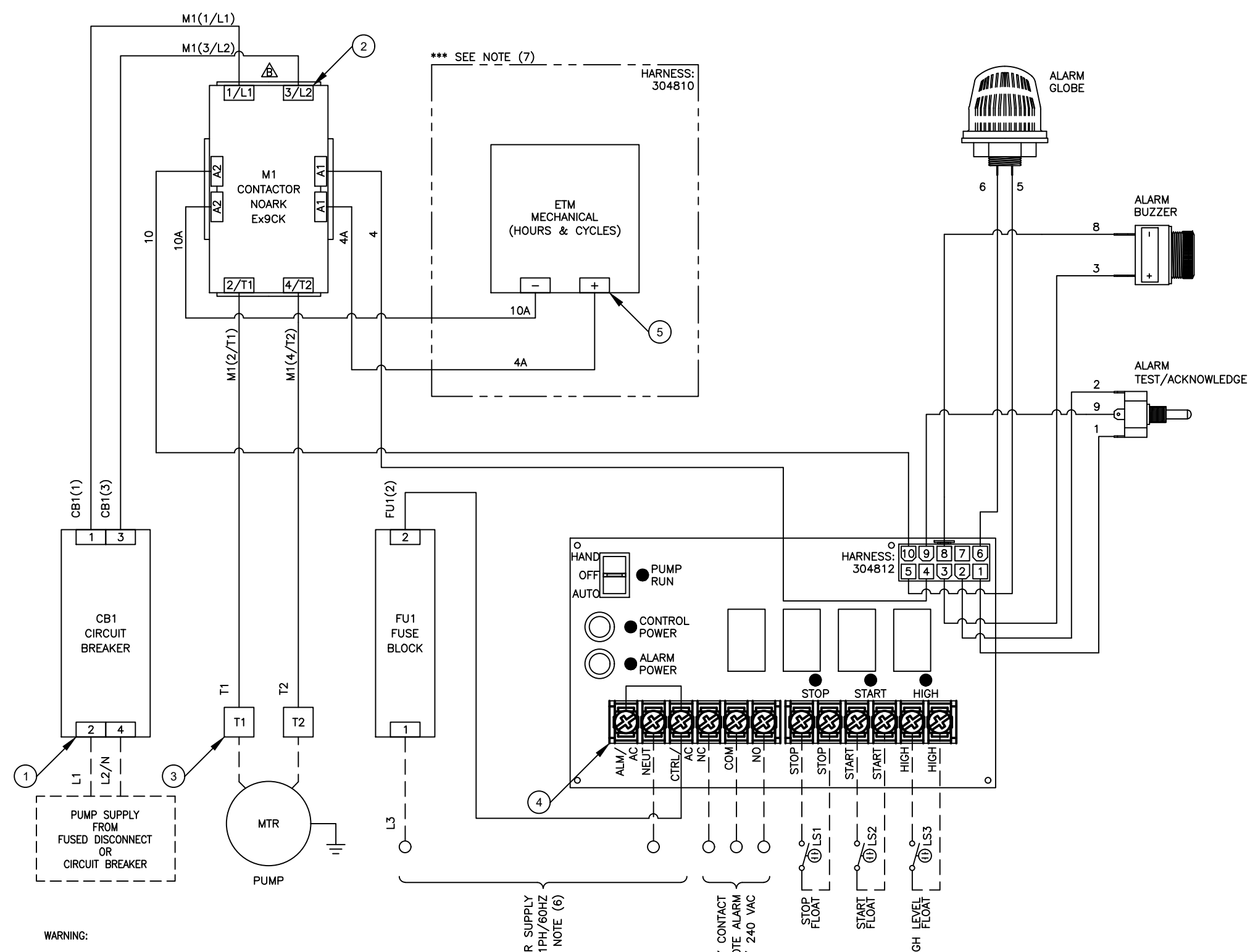


DRAWING REVISIONS				
LTR	BY	DATE	ECO #	DESCRIPTION
A	SWK	10/16/23	20119	RELEASE
B	MK	3/12/24	20487	UPDATE WIRE LABEL

CUSTOMER TORQUE SETTING		
NUMBER	COMPONENT	TORQUE
1	CIRCUIT BREAKER	2.8 N.m. 25 in-lb
2	CONTACTOR	1.8-2 N.m. 20 in-lb
3	TERMINAL BLOCK 8mm <sup>2</sup> -CROSS SECTION	1.5-1.8 N.m. 13.3-15.9 in-lb
4	PCB BOARD	0.82 N.m. 7.3 in-lb
5	MECHANICAL DUAL FUNCTION COUNTER	0.80 N.m. 7.1 in-lb



- NOTES:**
- (1) CUSTOMER WIRING INDICATED BY DASHED LINES.
  - (2) TIGHTENING TORQUE SPECIFIED IN "TORQUE SETTING" CHART.
  - (3) APPLICABLE VOLTAGE 240V, 208V, 120V
  - (4) WIRING TEMP: RATING TO BE 60°C/140°F MINIMUM.
  - (5) WIRING TYPE: COPPER AND SUITABLE FOR EXTERNAL HOOKUP
  - (6) BOTH CONTROL AND ALARM TERMINALS REQUIRE POWER FOR PROPER FUNCTION. CUSTOMER TO CONNECT POWER BETWEEN NEUTRAL TERMINAL AND FU1.
  - (7) THE OPTIONAL DUAL FUNCTIONAL COUNTER TO BE INSTALLED IN SELECT MODELS
  - (8) ALARM AC FUSE 1 AND CONTROL AC FUSE 2 ARE TYPE AGC RATED 250V 3A
  - (9) JUMPER BETWEEN TERMINAL (ALM/AC) AND TERMINAL (CTRL/AC) TO BE FACTORY INSTALLED.

**WARNING:**  
SEPARATE OVERCURRENT PROTECTION IS REQUIRED TO BE PROVIDED IN ACCORDANCE WITH PREVAILING LOCAL CODES (NFPA70: NATIONAL ELECTRICAL CODE OR CANADIAN ELECTRICAL CODE PART 1)

**NOTICE:**  
THESE ARE INFORMATIONAL SCHEMATICS ONLY. THEY DO NOT REPLACE PROFESSIONAL GUIDANCE WITHIN ANY JURISDICTION OR FOR ANY APPLICATION AND SHOULD NOT BE RELIED UPON TO DO SO

CUSTOMER SUPPLY  
120VAC/1PH/60HZ  
\*\*\* SEE NOTE (6)

DRY CONTACT  
FOR REMOTE ALARM  
3A MAX / 240 VAC

STOP FLOAT  
START FLOAT  
HIGH FLOAT

POWER HARNESS CHART		TULSAR END ITEM#	
PART NUMBER		EPE1352-0002	
304808			
DRAWING DESCRIPTION: LOW COST PANEL SIMPLEX 1PH PANEL STANDARD WIRING DIAGRAM		NUMBERS ENCLOSED IN A CIRCLE: (1), (2), (3), (4), (5), (6), (7), (8), (9), (10) ARE CRITICAL TO QUALITY (CTQ) ITEMS. THIS INDICATES A CRUCIAL SPECIFICATION THAT MUST BE ROUTINELY VERIFIED.	
TOLERANCES: X ±.1 JX ±.03 JXX ±.010		©COPYRIGHT, 2020 : ALL RIGHTS RESERVED BY ZOELLER.	
DRAFTER: S.KIRBY		DATE: 10/16/23	
ELECTRONIC SCALE: 1X DO NOT SCALE PRINT EXCEPT AS NOTED DIMENSIONS ARE IN INCHES.		PART NUMBER: 304829 PART REVISION: A DRAWING NUMBER: 304829 SHEET: 1 OF 2	



