

Product information presented here reflects conditions at time of publication. Consult factory regarding discrepancies or inconsistencies.



TECHNICAL DATA SHEET

THE BASEMENT SENTRY®

12 Volt Backup Sump Pump System

PRODUCT SPECIFICATIONS

PUMP

- 12V DC pump supplied with 6' (1.8 m) leads
- Battery life under continuous-run conditions: 7-1/2 hrs.*
- Internal check valve in the discharge

DC CHARGER

- Battery burnout and overcharge protection
- Solid state automatic controllers with alarms, light indicators and warning systems
- 10 amp battery charger

LED LIGHT INDICATORS

- AC power on
- Battery charging
- Battery charged
- Low battery
- Alarm off
- Pump cycled

FLOAT

- Low-voltage vertical master switch

LCD SCREEN

- Always displays battery voltage along with other helpful information about the system.

BUTTONS

- Scroll - display information on the system such as DC pump cycles and power outages
- Alarm Reset - press to reset alarms. Press and hold for three seconds for 24-hour buzzer silence

BATTERY CASE

- Polyethylene battery case
- Will accommodate maximum battery dimensions of 13" L x 7-1/2" W x 9-1/2" H (33 L x 19 W x 24 H cm)
- Accommodates all group size 27 batteries

AUXILLARY ALARM CONTACT

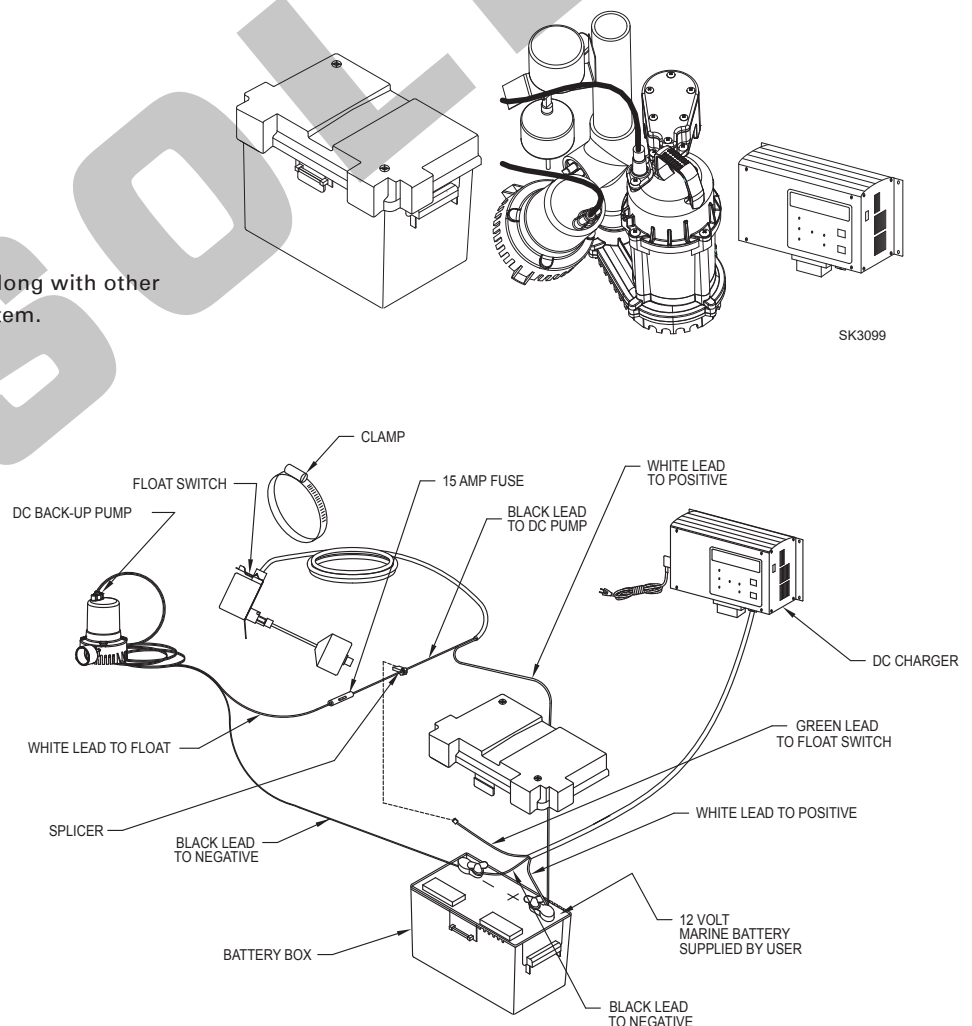
- A set of dry contacts allows system to connect to home security systems, auto dialers, etc.

TECHNOLOGY

- This charger uses the latest switch mode technology available. This allows for an extremely efficient charger in a compact design.

FITTINGS

- Includes one in-line check valve for primary pump
- Includes 1-1/2" SCH 40 PVC tee



SK3099

NOTE: battery not included

SK2501



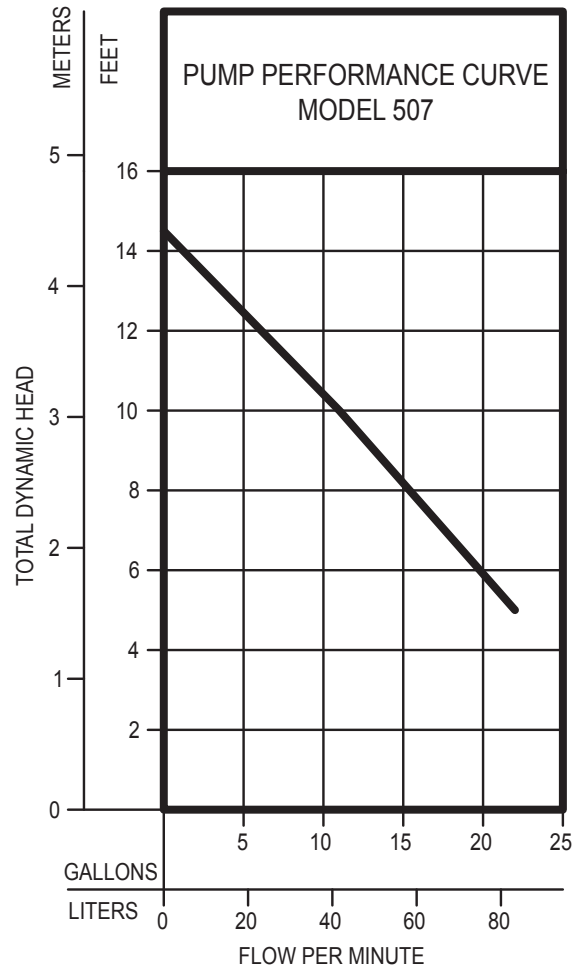
* with BCI size 27 deep-cycle battery, 175 minute reserve capacity or larger

**TOTAL DYNAMIC HEAD
FLOW PER MINUTE**

MODEL		507	
Feet	Meters	Gal.	Liters
5	1.5	22	83
10	3.0	11	42
Shut-off Head:		14.5 ft.(4.4 m)	

NOTE: Above performance chart based upon actual performance achieved with a 12 Volt deep-cycle battery. Some manufacturers publish performance data based upon D.C. Pump testing according to Marine Industry standards which can reflect a performance of 40% - 80% higher than actual battery powered performance.

Minimum battery requirements:
deep-cycle, size 27, 175 minute
reserve capacity.



009932

WARRANTY - 12 months from date of installation or 18 months from date of manufacture.

BATTERY LIFE - The estimated life of a fully charged (175 minute reserve capacity) battery when the pump is operating continuously is approximately 7½ hours. Example: the pump's capacity at 10' (3 m) head is 900 GPH (3,407 LPH). Most backup systems require intermittent pump operation. The system will provide protection for extended periods of time, dependent upon stop-start requirements.

PERFORMANCE DATA - Pump performance is based on the use of a fully-charged, 12 volt, (200-minute reserve capacity) deep-cycle battery with no deficiency that is less than two years old.

AQUANOT® BATTERY

- Size 31 "Wet" P/N 10-0761 (69 lbs./31 kg) (shipped via truckline only) 200 minute reserve capacity
- Size 27 "AGM" P/N 10-1450 (66 lbs./30 kg) 175-minute reserve capacity

CAUTION All installation of controls, protection devices and wiring should be done by a qualified licensed electrician. All electrical and safety codes should be followed including the most recent National Electrical Code (NEC) and the Occupational Safety and Health Act (OSHA).