

Product information presented here reflects conditions at time of publication. Consult factory regarding discrepancies or inconsistencies.



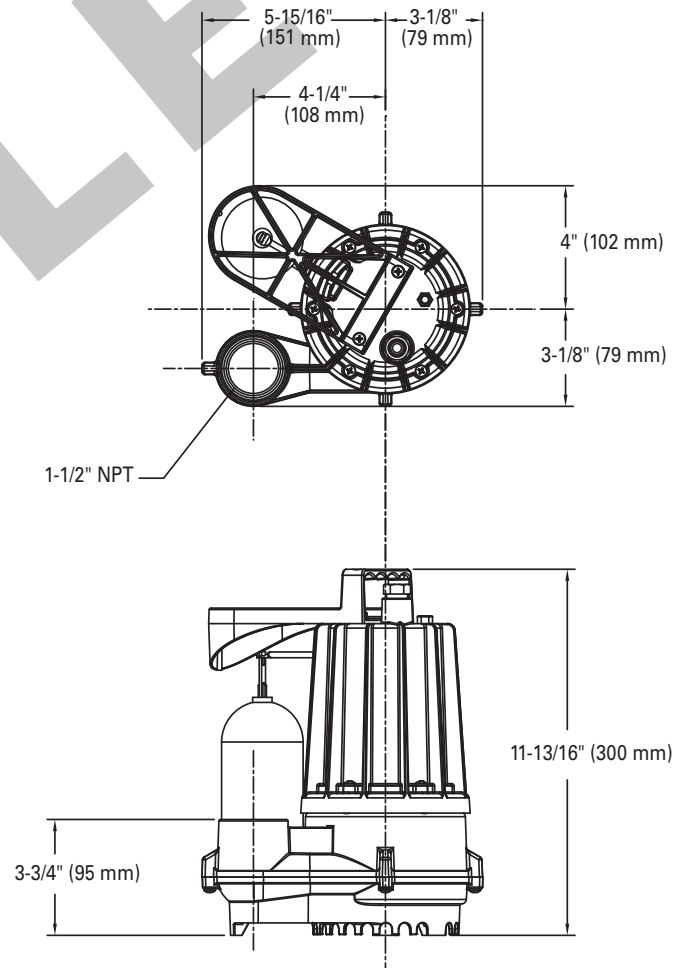
TECHNICAL DATA SHEET

AQUA-MATE SERIES

Model 72 Submersible Dewatering Pump

PRODUCT SPECIFICATIONS

MOTOR	Horse Power	3/10
	Voltage	115
	Phase	1 Ph
	Hertz	60 Hz
	RPM	3400
	Type	Permanent split capacitor
	Insulation	Class B
	Amps	3.1
PUMP	Operation	Automatic or nonautomatic
	Auto On/Off Points	7-3/8" (18.7 cm) / 3-5/8" (9.2 cm)
	Discharge Size	1-1/2" NPT
	Solids Handling	3/8" (9 mm) spherical solids
	Cord Length	9' (3 m) standard
	Cord Type	UL listed, 3-wire, grounded plug
	Max. Head	18' (5.5 m)
	Max. Flow Rate	38 GPM (144 LPM)
	Max. Operating Temp.	110° F (43° C)
	Cooling	Oil free
	Motor Protection	Auto reset thermal overload
MATERIALS	Motor Housing	Engineered plastic
	Pump Housing	Engineered plastic
	Base	Engineered plastic
	Upper Bearing	Ball bearing
	Lower Bearing	Ball bearing
	Mechanical Seals	Carbon and ceramic
	Impeller Type	Non-clogging vortex
	Impeller	Engineered plastic
	Hardware	Stainless steel
	Motor Shaft	410 stainless steel
	Gasket	Buna-N o-ring



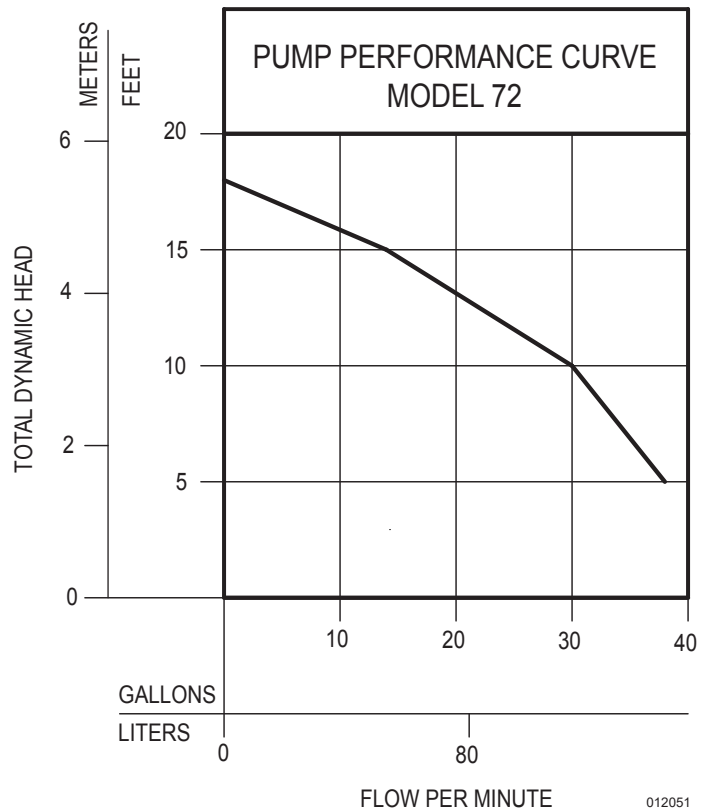
SK1924

NOTE: See model comparison chart for specific details.



**TOTAL DYNAMIC HEAD
FLOW PER MINUTE**

MODEL		72	
Feet	Meters	Gal.	Liters
5	1.5	38	144
10	3.0	30	114
15	4.6	14	53
Shut-off Head:		18 ft. (5.5 m)	



Model	MODEL COMPARISON										
	Seal	Mode	Volts	Ph	Amps	HP	Hz	Lbs	Kg	Simplex	Duplex
M72	Single	Auto	115	1	3.1	3/10	60	9.5	4.3	1	3
N72	Single	Non	115	1	3.1	3/10	60	9.5	4.3	2	2 & 3
BN72	Single	Non	115	1	3.1	3/10	60	9.5	4.3	*	---

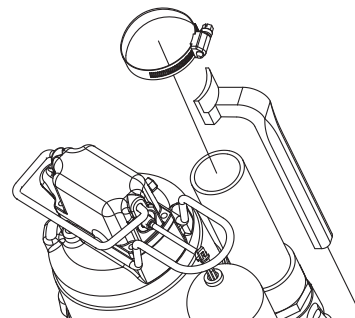
* Single piggyback switch included.

SELECTION GUIDE

1. Integral float-operated mechanical switch, no external control required.
2. Single piggyback variable level float switch or double piggyback variable level float switch. Refer to FM0477.
3. See FM0477 for a residential alternator system.

OPTIONAL PUMP STAND P/N 10-2421

- Reduces potential clogging by debris
 - Replaces rocks or bricks under the pump
 - Made of durable, noncorrosive ABS
 - Raises pump 2" (5 cm) off bottom of basin
 - Provides the ability to raise intake by adding sections of 1½" or 2" (DN40 or DN50) PVC piping
 - Attaches securely to pump
 - Accommodates sump, dewatering and effluent applications
- NOTE: Make sure float is free from obstruction.



All installation of controls, protection devices and wiring should be done by a qualified licensed electrician. All electrical and safety codes should be followed including the most recent National Electrical Code (NEC) and the Occupational Safety and Health Act (OSHA).