

Trusted. Tested. Tough.®

SECTION: 2.50.240
 FM3099
 0322
 Supersedes
 1221

Product information presented here reflects conditions at time of publication. Consult factory regarding discrepancies or inconsistencies.



MAIL TO: P.O. BOX 16347 • Louisville, KY 40256-0347
 SHIP TO: 3649 Cane Run Road • Louisville, KY 40211-1961
 TEL: (502) 778-2731 • 1 (800) 928-PUMP • FAX: (502) 774-3624

Visit our website:
 zoellerpumps.com



TECHNICAL DATA SHEET LN SERIES FLOATLESS SWITCH



For indoor use only.
 All electrical and safety codes must be followed in addition to the National Electrical Code and all applicable local codes.

SPECIFICATIONS

This switch monitors liquid levels in lift pump chambers, sump pump basins, holding tanks and other non-potable water applications.

STANDARD FEATURES

- NO MOVING PARTS to wear out or bind
- Includes fused over-current protection against pump electrical failures
- Requires less working space than mechanical float switches
- Reliably controls a 7" (254 mm) water column
- Automatic time - delay before turn-on minimizes activation from water sloshing and extends pump life
- Tested to 1.5 million cycles-outlasts traditional float switches 7 to 1
- Simple piggyback plug electrical installation-easy replacement for old system
- RoHS Compliant, cULus E332036

U.S. Patent Nos. 5594222, 6310611, 6320282, 7373817

Performance Specifications

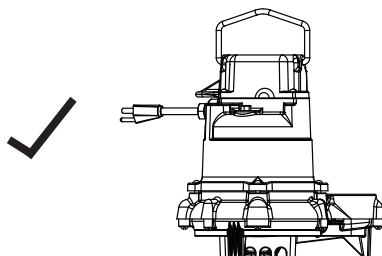
For use ONLY with 120 VAC, 60 Hz, single-phase current only.
 Do not use with 240 VAC systems.

Current draw while in operation	1.3 mA
Circuit requirement	20 A dedicated branch circuit
Load current rating	Motor: 1/2 hp (9.8 Fla, 58.8 Lra), 120vac
	General electrical load: 12 a, 120 a
Sensor technology	Solid-state "field-effect"

Construction

Housing material	Plastic
Cord	Sjow-14 gauge. Includes piggyback female plug to receive cord from (and switch power to) sump pump
Cable length	15 Feet
Water level turn on/turn off range	Approx. 7" (254 Mm) typical differential, non-adjustable.

For use with Manual Pumps



Not Automatic Pumps

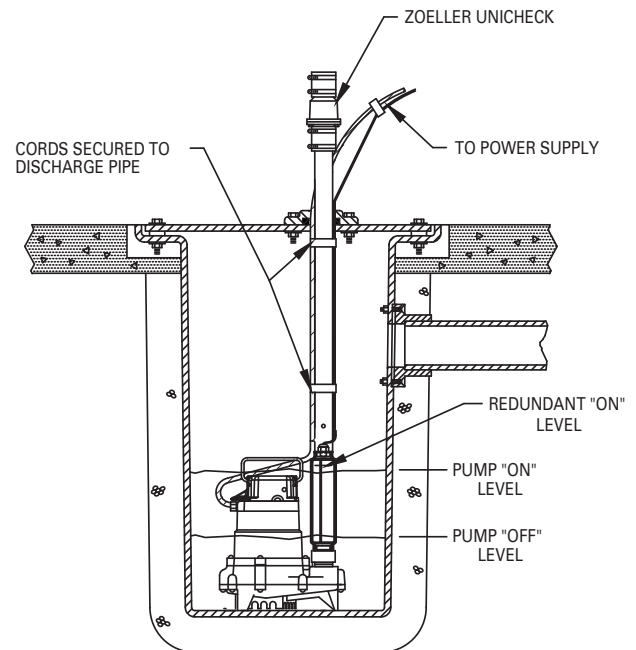
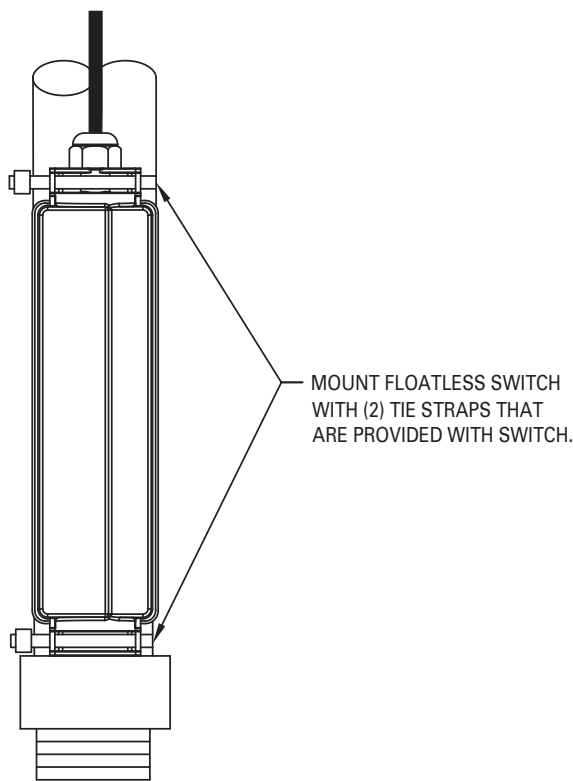
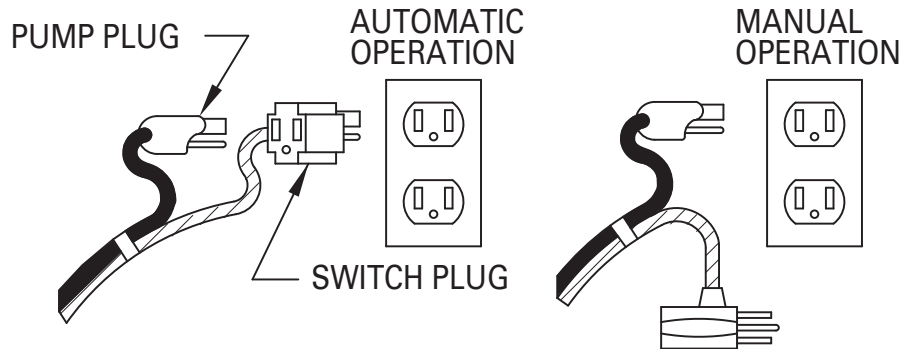


SK3210



TECHNICAL DATA SHEET

LN SERIES FLOATLESS SWITCH



Floatless Switch Products	
Item Number	Description
10-4660	Floatless switch
53-0084	1/3 hp sump pump with Floatless switch
98-0069	1/2 hp sump pump with Floatless switch
267-0121	1/2 hp sewage pump with Floatless switch

SK3180

The Floatless sump and sewage switch contains no serviceable parts.