

Trusted. Tested. Tough.®

SECTION: 2.25.010

FM2795

0324

Supersedes

1023

Visit our website:  
zoellerpumps.com

U.S. Patent Nos. 9,004,381;  
8,562,287



MAIL TO: P.O. BOX 16347 • Louisville, KY 40256-0347  
SHIP TO: 3649 Cane Run Road • Louisville, KY 40211-1961  
Tel: (502) 778-2731 • 1 (800) 928-PUMP

Product information presented here reflects conditions at time of publication. Consult factory regarding discrepancies or inconsistencies.

# TECHNICAL DATA SHEET

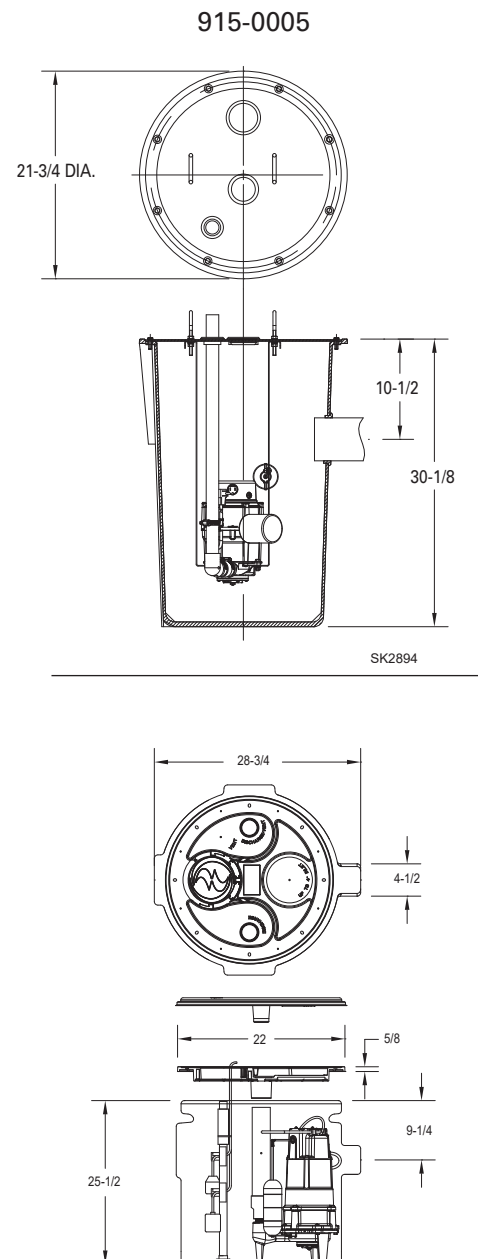
## SEWAGE WASTE SERIES

### MODEL 915 GRINDER PACKAGE

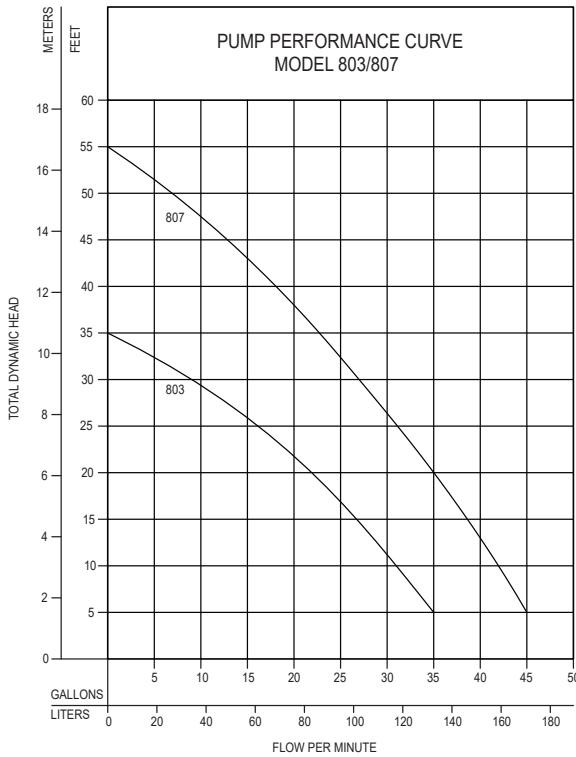
*Ideal solution for residential wastewater applications or 2" sewage ejector retrofits.*

#### PRODUCT SPECIFICATIONS

<b>MOTOR</b>	Horse Power	0.5 & 1.0
	Voltage	115
	Phase	1 Ph
	Hertz	60 Hz
	RPM	3450
	Amps	7.0 & 11.0
<b>PUMP</b>	Auto On / Off	801 13-3/8" (34 cm) / 6-1/2" (16.56 cm) 803 / 807 13" (33 cm) / 5-3/4" (14.6 cm)
	Discharge Size	1.25"
	Cord Length	15' (5 m) standard
	Cord Type	UL listed 3-wired plug
	Max. Operating Temp.	130° F (54 °C)
	Motor Protection	Auto reset thermal overload
	<b>MATERIALS</b>	Cap
Motor Housing		Engineered plastic (801) & Cast Iron (803/807)
Adapter		Cast iron
Pump Housing		Engineered plastic (801) & Cast Iron (803/807)
Upper Bearing		Ball bearing
Lower Bearing		Ball bearing
Mechanical Seals		Carbon/ceramic
Impeller Type		Non-clogging vortex
Impeller		Engineered plastic
Hardware		Stainless steel
Motor Shaft		AISI 1215
Gasket		Neoprene
Cutter	440C Stainless Steel	
<b>BASIN</b>	Size	18" x 30" (45.7 x 76.2 cm) or 24" x 24" (61 x 61 cm)
	Cover	Steel (801) Polyethylene (803/807)
	Inlet	4" predrilled
	Material	Polymolded



SK3304



**TOTAL DYNAMIC HEAD/FLOW  
PER MINUTE  
SEWAGE**

MODEL		803		807	
Feet	Meters	Gal.	Liters	Gal.	Liters
5	1.5	35	132	45	170
10	3.0	31	117	42	159
15	4.6	27	102	39	148
20	6.1	22	83	35	132
25	7.6	16	61	31	117
30	9.1	9	34	27	102
35	10.7	--	--	23	87
40	12.2	--	--	18	68
45	13.7	--	--	13	49
50	15.2	--	--	7	26
Shut-off Head:		35 ft. (10.7m)		55 ft. (16.8m)	

153604

Location	Basin	Basin Material	Float Switch	Pump Model	Alarm	Part Number
Indoor	18" x 30"	PSF	Piggyback	801	Yes	915-0005
		Fiberglass			Yes	915-0007
	24" x 24"	PSF	Integral	803	No	915-0047
			Yes		915-0048	
			Piggyback		No	915-0049
			Yes	915-0081		
			Integral	807	No	915-0086
			Yes		915-0087	
	Piggyback	No	915-0088			
Yes	915-0089					
Outdoor	18" x 30"	PSF	Integral	803	Yes	915-0031



All installation of controls, protection devices and wiring should be done by a qualified licensed electrician. All electrical and safety codes should be followed including the most recent National Electrical Code (NEC) and the Occupational Safety and Health Act (OSHA).