

Product information presented here reflects conditions at time of publication. Consult factory regarding discrepancies or inconsistencies.



MAIL TO: P.O. BOX 16347 • Louisville, KY 40256-0347
 SHIP TO: 3649 Cane Run Road • Louisville, KY 40211-1961
 TEL: (502) 778-2731 • 1 (800) 928-PUMP • FAX: (502) 774-3624

Visit our website:
 zoellerpumps.com

REPLACEMENT PARTS LIST FOR MODELS:

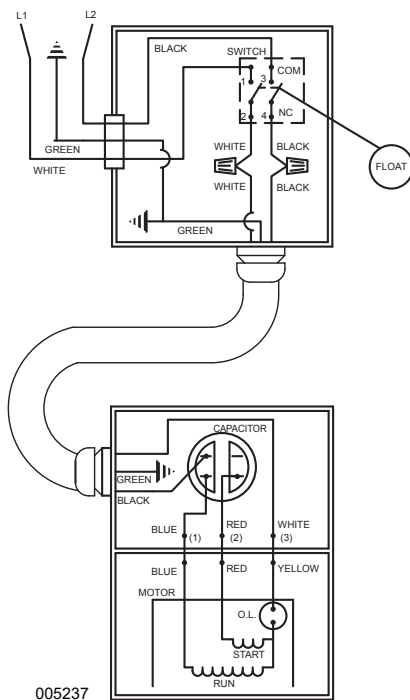
M3282 AUTOMATIC 115V
N3282 NONAUTOMATIC 115V
D3282 AUTOMATIC 230V
E3282 NONAUTOMATIC 230V

Consult factory for all other models

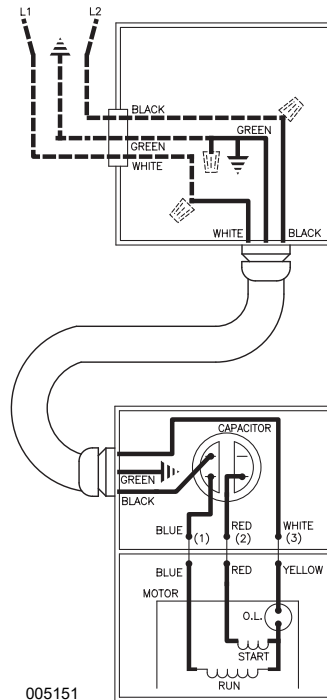
TO ORDER REPLACEMENT PARTS:

PLEASE FURNISH THE FOLLOWING INFORMATION:

- Model Number.
- Part Number of Pump.
 (If manufactured prior to June 1988, give 2 letter date code following Model No.)
- Part Number and Description of part.



WIRING DIAGRAM FOR MODELS
 "M3282" All Revisions and "D3282" All Revisions
 10/87 (WT) to Current



WIRING DIAGRAM FOR MODELS
 "N3282" All Revisions and "E3282" All Revisions
 10/87 (WT) thru Current

REPLACEMENT PARTS LIST FOR MODEL "M3282"

See page 6 for illustrations.

REF. NO.	DESCRIPTION	QTY	NOTES	MODELS: M3282-A M3282-B M3282-C M3282-D M3282-E M3282-F					
				10/87 WT thru 5/92	6/92 thru 11/92	12/92 thru 9/94	10/94 thru 9/01	10/01 thru 5/10	6/10 thru Current
1	• Handle	1		217069	217069	217069	217069	217069	217069
2	Cover & Handle	1		005365	005365	005365	009662	009662	009662
3	• Gasket, Case or Cover	1		012649	012649	012649	012649	012649	012649
4	• Wire Pkg.	1		004756	004756	004756	004756	004756	004756
5	Capacitor & Clamp Asm.	1		002381	002381	002381	002381	002381	002381
6	• Seal, Thru Wall Term	3		003402	003402	003402	003402	003402	003402
7	Mtr. Hsg. Brg. Stator & Term	1	3	005360	005360	005360	005360	005360	150954
8	Bearing, Sleeve	1		001012	001012	001012	001012	001012	N/A
	Bearing, Radial	1		N/A	N/A	N/A	N/A	N/A	006703
9	Rotor (115V/230V)-GE	1		003167	003167	007978	007978	007978	150874
	Rotor (115V/230V)-Emerson	1		003167	003167	007979	007979	007979	N/A
10	Bearing, Lower	1		094106	094106	001013	001013	001013	010069
11	• Seal, Mtr Hsg.	1		012648	012648	012648	012648	012648	012648
12	Adapter	1		002357	002357	001003	001003	001003	001003
13	• Seal, Shaft	1		019068	019068	019068	019068	019068	019068
14	Impeller	1		002998	002998	002998	002998	002998	002998
15	Pump Housing	1		217012	217012	217012	217012	217012	217012
16	• Plug	3		034051	034051	034051	034051	034051	015023
17	• Oil, Dielectric	1		003188	006065	006065	006065	006065	150609
18	Flange Pkg. 2 "	1		10-1305	10-1305	10-1305	10-1305	10-1305	10-1305
	Flange Pkg. 3 "	1		10-1306	10-1306	10-1306	10-1306	10-1306	10-1306
19	Case Handle & Arm	1		004714	007088	007088	007088	007088	007088
20	Guard	1		004645	267008	267008	267008	267008	267008
21	• Arm & Seal Asm.	1		004704	004741	004741	004741	004741	004741
22	Case & Switch	1		005349	007802	007802	007802	007802	007802
23	Switch Asm.	1		005350	005350	005350	005350	005350	005350
24	• Gasket, Case or Cover	1		014553	014555	014555	014555	014555	014555
25	Housing, Switch	1		004907	006836	006836	009453	009453	009453
26	Float	1		034019	034019	034019	034019	034019	034019
27	Float Rod Asm.	1		005352	005352	005352	005352	005352	005352
28	Float-Mach	1		004912	004912	004912	004912	004912	004912
29	Cord Term & Seal	1	1	005348	005348	005348	005348	005348	005348
30	Strain Relief	3	1	001770	001770	001770	001770	001770	001770
31	Seal Asm & Strain Relief	1	1	004322	004322	004322	004322	004322	004322
32	• Seal Asm, Conduit	1	1	009603	009603	009603	009643	009643	009643
33	• Seal Asm, Conduit	1	1	005372	005372	005372	009643	009643	009643
34	Cordage, Conduit & Seals	1		005373	005373	005373	009655	009655	009655
35	Conduit 3'	1		005167	005167	005167	005167	005167	005167
36	Cordage & Terms	1		005351	005351	005351	005351	005351	005351
37	Clamp, #60 SS Worm	2	6	004913	004913	004913	004913	004913	004913
38	• Wirenut Connector	2		001776	001776	001776	001776	001776	001776
39	• Screw, #.25-20 x .75" RHM SL-SS	8		001885	001916	001916	001916	001916	001916
40	• Screw, #6-32x.25" RHM SL STLGR	4		001877	001877	001877	001877	001877	001877
41	• Screw, .313-18x1" HH CAP-SS	4		002608	002608	002608	002608	002608	002608
42	• Screw, #10-24 x .375 RHM SL-SS	2		001883	001883	001883	001883	001883	001883
43	• Screw, #6-32x.375" RHSL STL	2		004644	004644	004644	004644	004644	004644
44	• Screw, .5-13x2" HH CAP-SS	2		001909	001909	001909	001909	001909	001909
45	• Washer, SS-1.25"ODx.562"IDx.078	2		002115	002115	002115	002115	002115	002115
46	• Screw, .25-20x1" HHM-SS	4		007790	007790	007790	007790	007790	007790
47	Clamp, #40 SS Worm	1	6	004304	004304	004304	004304	004304	004304
□	Rebuild Kit	1		005366	008570	008571	009987	009987	150989

NOTES:

- 1) Strain Relief (Item 30) can be purchased separately, but is included with Cord, Terminal & Seal Assembly (Item 29) and with Seal, Cord Assembly (Items 31, 32 and 33).
- 2) Mtr. Hsg., Brg., Stator & Term. (Item 7) are preassembled at the factory and must be replaced as a unit. Stator is permanently attached to the Motor Housing. Plug (Item 16); Seal, Thru Wall Term. (Item 6) and Bearing - Upper (Item 8 are replaceable).
- 3) When ordering Motor Housing, Bearing, Stator and Term. (Item 7) or Rotor (Item9) specify either GE or Emerson motor. GE motor can be identified by (4) holes spaced at 90° around the outside diameter of the stator. Emerson motor can be identified by (4) flat edges spaced at 90° around the outside diameter of the stator.
- 4) See FM0160 Parts Price Sheet for listing of parts prices.
- 5) "NA" indicates, not applicable.
- 6) Discharge pipe size determines clamp size to order. When using 3" discharge pipe, do not order clamp 004304; instead order (3) 004913.

• Items included in Rebuild Kit.

□ Not shown in illustration.

REPLACEMENT PARTS LIST FOR MODEL "D3282"

See page 6 for illustrations.

MODELS: D3282-A D3282-A D3282-B D3282-C D3282-D D3282-E D3282-F									
REF. NO.	DESCRIPTION	QTY	NOTES	10/87 WT thru 5/92	6/92 thru 11/92	12/92 thru 9.94	10/94 thru 9/01	10/01 thru 5/10	6/10 thru Current
1	* Handle	1		217069	217069	217069	217069	217069	217069
2	Cover & Handle	1		005365	005365	005365	009662	009662	009662
3	* Gasket, Case or Cover	1		012649	012649	012649	012649	012649	012649
4	* Wire Pkg.	1		004756	004756	004756	004756	004756	004756
5	Capacitor & Clamp Asm.	1		002381	002381	002381	002381	002381	002381
6	* Seal, Thru Wall Term	3		003402	003402	003402	003402	003402	003402
7	Mtr. Hsg. Brg. Stator & Term	1	3	005361	005361	005361	005360	005360	150955
8	Bearing, Sleeve	1		001012	001012	001012	001012	001012	N/A
	Bearing, Radial	1		N/A	N/A	N/A	N/A	N/A	006703
9	Rotor (115V/230V)-GE	1		003167	003167	007978	007978	007978	150874
	Rotor (115V/230V)-Emerson	1		003167	003167	007979	007979	007979	N/A
10	Bearing, Lower	1		094106	094106	001013	001013	001013	010069
11	* Seal, Mtr Hsg.	1		012648	012648	012648	012648	012648	012648
12	Adapter	1		002357	002357	001003	001003	001003	001003
13	* Seal, Shaft	1		019068	019068	019068	019068	019068	019068
14	Impeller	1		002998	002998	002998	002998	002998	002998
15	Pump Housing	1		217012	217012	217012	217012	217012	217012
16	* Plug	3		034051	034051	034051	034051	034051	015023
17	* Oil, Dielectric	1		003168	006065	006065	006065	006065	150609
18	Flange Pkg. 2 "	1		10-1305	10-1305	10-1305	10-1305	10-1305	10-1305
	Flange Pkg. 3 "	1		10-1306	10-1306	10-1306	10-1306	10-1306	10-1306
19	Case Handle & Arm	1		004714	007088	007088	007088	007088	007088
20	Guard	1		004645	267008	267008	267008	267008	267008
21	* Arm & Seal Asm.	1		004704	004741	004741	004741	004741	004741
22	Case & Switch	1		005349	007802	007802	007802	007802	007802
23	Switch Asm.	1		005350	005350	005350	005350	005350	005350
24	* Gasket, Case or Cover	1		014553	014555	014555	014555	014555	014555
25	Housing, Switch	1		004907	006836	006836	009453	009453	009453
26	Float	1		034019	034019	034019	034019	034019	034019
27	Float Rod Asm.	1		005352	005352	005352	005352	005352	005369
28	Float-Mach	1		004912	004912	004912	004912	004912	004912
29	Cord Term & Seal	1	1	005369	005369	005369	005369	005369	005369
30	Strain Relief	3	1	001770	001770	001770	001770	001770	001770
31	Seal Asm & Strain Relief	1	1	004322	004322	004322	004322	004322	004322
32	* Seal Asm, Conduit	1	1	005371	005371	005371	009643	009643	009643
33	* Seal Asm, Conduit	1	1	005372	005372	005372	009643	009643	009643
34	Cordage, Conduit & Seals	1		005373	005373	005373	009655	009655	009655
35	Conduit 3'	1		005167	005167	005167	005167	005167	005167
36	Cordage & Terms	1		005351	005351	005351	005351	005351	005351
37	Clamp, #60 SS Worm	2	6	004913	004913	004913	004913	004913	004913
38	* Wirenut Connector	2		001776	001776	001776	001776	001776	001776
39	* Screw, #.25-20 x .75" RHM SL-SS	8		001916	001916	001916	001916	001916	001916
40	* Screw, #6-32x.25" RHM SL STLGR	4		001877	001877	001877	001877	001877	001877
41	* Screw, .313-18x1" HH CAP-SS	4		002608	002608	002608	002608	002608	002608
42	* Screw, #10-24 x .375 RHM SL-SS	2		001883	001883	001883	001883	001883	001883
43	* Screw, #6-32x.375" RHSL STL	2		004644	004644	004644	004644	004644	004644
44	* Screw, .5-13x2" HH CAP-SS	2		001909	001909	001909	001909	001909	001909
45	* Washer, SS-1.25"ODx.562"IDx.078	2		002115	002115	002115	002115	002115	002115
46	* Screw, .25-20x1" HHM-SS	4		007790	007790	007790	007790	007790	007790
47	Clamp, #40 SS Worm	1	6	004304	004304	004304	004304	004304	004304
☐	Rebuild Kit	1		005366	008570	008571	009987	009987	150989

NOTES:

- 1) Strain Relief (Item 30) can be purchased separately, but is included with Cord, Terminal & Seal Assembly (Item 29) and with Seal, Cord Assembly (Items 31, 32 and 33).
- 2) Mtr. Hsg., Brg., Stator & Term. (Item 7) are preassembled at the factory and must be replaced as a unit. Stator is permanently attached to the Motor Housing. Plug (Item 16); Seal, Thru Wall Term. (Item 6) and Bearing - Upper (Item 8 are replaceable).
- 3) When ordering Motor Housing, Bearing, Stator and Term. (Item 7) or Rotor (Item9) specify either GE or Emerson motor. GE motor can be identified by (4) holes spaced at 90° around the outside diameter of the stator. Emerson motor can be identified by (4) flat edges spaced at 90° around the outside diameter of the stator.
- 4) See FM0160 Parts Price Sheet for listing of parts prices.
- 5) "NA" indicates, not applicable.
- 6) Discharge pipe size determines clamp size to order. When using 3" discharge pipe, do not order clamp 004304; instead order (3) 004913.

* Items included in Rebuild Kit.

☐ Not shown in illustration.

REPLACEMENT PARTS LIST FOR MODEL "N3282"

See page 7 for illustrations.

REF. NO.	DESCRIPTION	QTY	NOTES	MODELS: N3282-A N3282-B N3282-C N3282-D N3282-E N3282-F					
				10/87 WT thru 5/92	6/92 thru 11/92	12/92 thru 9/94	10/94 thru 9/01	10/01 thru 5/10	6/10 thru Current
1	• Handle	1		217069	217069	217069	217069	217069	217069
2	Cover & Handle	1		005365	005365	005365	009662	009662	009662
3	• Gasket, Case or Cover	1		012649	012649	012649	012649	012649	012649
4	• Wire Pkg.	1		004756	004756	004756	004756	004756	004756
5	Capacitor & Clamp Asm.	1		002381	002381	002381	002381	002381	002381
6	• Seal, Thru Wall Term	3		003402	003402	003402	003402	003402	003402
7	Mtr. Hsg, Brg, Stator & Term	1	3	005360	005360	005360	005360	005360	150954
8	Bearing, Sleeve	1		001012	001012	001012	001012	001012	N/A
	Bearing, Radial	1		N/A	N/A	N/A	N/A	N/A	006703
9	Rotor (115V/230V)-GE	1		003167	003167	007978	007978	007978	150874
	Rotor (115V/230V)-Emerson	1		003167	003167	007979	007979	007979	N/A
10	Bearing, Lower	1		094106	094106	001013	001013	001013	010069
11	• Seal, Mtr Hsg.	1		012648	012648	012648	012648	012648	012648
12	Adapter	1		002357	002357	001003	001003	001003	001003
13	• Seal, Shaft	1		019068	019068	019068	019068	019068	019068
14	Impeller	1		002998	002998	002998	002998	002998	002998
15	Pump Housing	1		217012	217012	217012	217012	217012	217012
16	• Plug	3		034051	034051	034051	034051	034051	015023
17	• Oil, Dielectric	1		003168	006065	006065	006065	006065	150609
18	Flange Pkg. 2"	1		10-1305	10-1305	10-1305	10-1305	10-1305	10-1305
	Flange Pkg. 3"	1		10-1306	10-1306	10-1306	10-1306	10-1306	10-1306
19	Cover, Plate & Gasket	1		N/A	007652	007652	007652	007652	267051
20	• Gasket, Case or Cover	1		N/A	014555	014555	014555	014555	014555
21	Housing, Switch	1		N/A	006836	006836	009454	009454	009454
22	Clamp, #60 SS Worm	2		004913	004913	004913	004913	004913	004913
23	Strain Relief	3	1	001770	001770	001770	001770	001770	001770
24	• Seal Asm, Conduit	1	1	009604	009604	009604	009643	009643	009643
25	• Seal Asm, Conduit	1	1	005372	005372	005372	009643	009643	009643
26	Cordage, Conduit & Seals	1		005438	005438	005438	009656	009656	009656
27	Conduit 6'	1		005252	005252	005252	005252	005252	005252
28	Cordage & Terms	1		005354	005354	005354	005354	005354	005354
29	• Screw, .25-20 x .75 HHMM-S	8		001916	001916	001916	001916	001916	001916
30	• Screw, #6-32x.25" RHM SL STLGR	4		001877	001877	001877	001877	001877	001877
31	• Screw, .313-18x1" HH CAP-SS	4		002608	002608	002608	002608	002608	002608
32	• Screw, #10-24 x .375 RHM SL-SS	4		001883	001883	001883	001883	001883	001883
33	• Washer, SS-1.25"ODx.562"IDx.078	2		002115	002115	002115	002115	002115	002115
34	• Screw, .5-13x2" HH CAP-SS	2		001909	001909	001909	001909	001909	001909
35	• Screw, .25-20x1" HHM-SS	1		007790	007790	007790	007790	007790	007790
36	Handle	1		267032	267032	267032	267032	267032	267032
37	Retainer, Handle	2		267053	267053	267053	267053	267053	267053
40	Junction Box Asm.	1		005435	N/A	N/A	N/A	N/A	N/A
☐	Rebuild Kit	1		005362	008570	008571	009987	009987	150989

• Items included in Rebuild Kit.

☐ Not shown in illustration.

NOTES:

- 1) Strain Relief (Item 23) can be purchased separately, but is included with Cord, Terminal & Seal Assembly (Item 26) and with Seal, Cord Assembly (Items 24 and 25).
- 2) Mtr. Hsg., Brg., Stator & Term. (Item 7) are preassembled at the factory and must be replaced as a unit. Stator is permanently attached to the Motor Housing. Plug (Item 16); Seal, Thru Wall Term. (Item 6) and Bearing - Upper (Item 8) are replaceable.
- 3) When ordering Motor Housing, Bearing, Stator and Term. (Item 9) or Rotor (Item 11) specify either GE or Emerson motor. GE motor can be identified by (4) holes spaced at 90° around the outside diameter of the stator. Emerson motor can be identified by (4) flat edges spaced at 90° around the outside diameter of the stator.
- 4) See FM0160 Parts Price Sheet for listing of parts prices.
- 5) "N/A" indicates, not applicable.

REPLACEMENT PARTS LIST FOR MODEL "E3282"

See page 7 for illustrations.

MODELS: E3282-A				E3282-A	E3282-B	E3282-C	E3282-D	E3282-E	E3282-F
REF. NO.	DESCRIPTION	QTY	NOTES	10/87 WT thru 5/92	6/92 thru 11/92	12/92 thru 9/94	10/94 thru 9/01	10/01 thru 5/10	6/10 thru Current
1	* Handle	1		217069	217069	217069	217069	217069	217069
2	Cover & Handle	1		005365	005365	005365	009662	009662	009662
3	* Gasket, Case or Cover	1		012649	012649	012649	012649	012649	012649
4	* Wire Pkg.	1		004756	004756	004756	004756	004756	004756
5	Capacitor & Clamp Asm.	1		002381	002381	002381	002381	002381	002381
6	* Seal, Thru Wall Term	3		003402	003402	003402	003402	003402	003402
7	Mtr. Hsg, Brg, Stator & Term	1	3	005361	005361	005361	005361	005361	150955
8	Bearing, Sleeve	1		001012	001012	001012	001012	001012	N/A
	Bearing, Radial	1		N/A	N/A	N/A	N/A	N/A	006703
9	Rotor (115V/230V)-GE	1		003167	003167	007978	007978	007978	150874
	Rotor (115V/230V)-Emerson	1		003167	003167	007979	007979	007979	N/A
10	Bearing, Lower	1		094106	094106	001013	001013	001013	010069
11	* Seal, Mtr Hsg.	1		012648	012648	012648	012648	012648	012648
12	Adapter	1		002357	002357	001003	001003	001003	001003
13	* Seal, Shaft	1		019068	019068	019068	019068	019068	019068
14	Impeller	1		002998	002998	002998	002998	002998	002998
15	Pump Housing	1		217012	217012	217012	217012	217012	217012
16	* Plug	3		034051	034051	034051	034051	034051	015023
17	* Oil, Dielectric	1		003188	006065	006065	006065	006065	150609
18	Flange Pkg. 2"	1		10-1305	10-1305	10-1305	10-1305	10-1305	10-1305
	Flange Pkg. 3"	1		10-1306	10-1306	10-1306	10-1306	10-1306	10-1306
19	Cover, Plate & Gasket	1		N/A	007652	007652	007652	007652	267051
20	* Gasket, Case or Cover	1		N/A	014555	014555	014555	014555	014555
21	Housing, Switch	1		N/A	006836	006836	009454	009454	009454
22	Clamp, #60 SS Worm	2		004913	004913	004913	004913	004913	004913
23	Strain Relief	3	1	001770	001770	001770	001770	001770	001770
24	* Seal Asm, Conduit	1	1	005371	005371	005371	009643	009643	009643
25	* Seal Asm, Conduit	1	1	005372	005372	005372	009643	009643	009643
26	Cordage, Conduit & Seals	1		005438	005438	005438	009656	009656	009656
27	Conduit 6'	1		005252	005252	005252	005252	005252	005252
28	Cordage & Terms	1		005354	005354	005354	005354	005354	005354
29	* Screw, .25-20 x .75 HHMM-S	8		001916	001916	001916	001916	001916	001916
30	* Screw, #6-32x.25" RHM SL STLGR	4		001877	001877	001877	001877	001877	001877
31	* Screw, .313-18x1" HH CAP-SS	4		002608	002608	002608	002608	002608	002608
32	* Screw, #10-24 x .375 RHM SL-SS	4		001883	001883	001883	001883	001883	001883
33	* Washer, SS-1.25"ODx.562"IDx.078	2		002115	002115	002115	002115	002115	002115
34	* Screw, .5-13x2" HH CAP-SS	2		001909	001909	001909	001909	001909	001909
35	* Screw, .25-20x1" HHM-SS	1		007790	007790	007790	007790	007790	007790
36	Handle	1		267032	267032	267032	267032	267032	267032
37	Retainer, Handle	2		267053	267053	267053	267053	267053	267053
40	Junction Box Asm.	1		005435	N/A	N/A	N/A	N/A	N/A
☐	Rebuild Kit	1		005362	008570	008571	009987	009987	150989

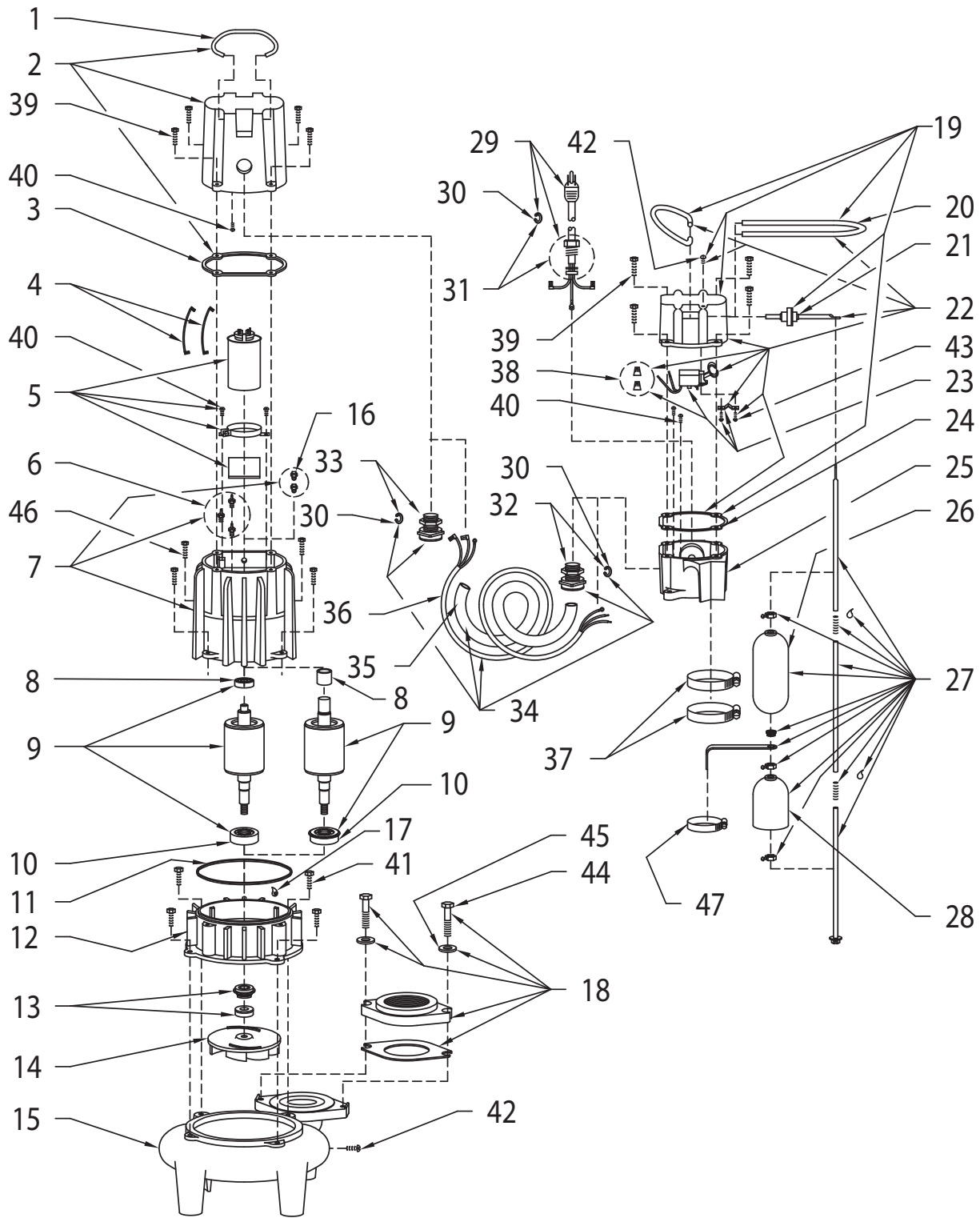
* Items included in Rebuild Kit.

☐ Not shown in illustration.

NOTES:

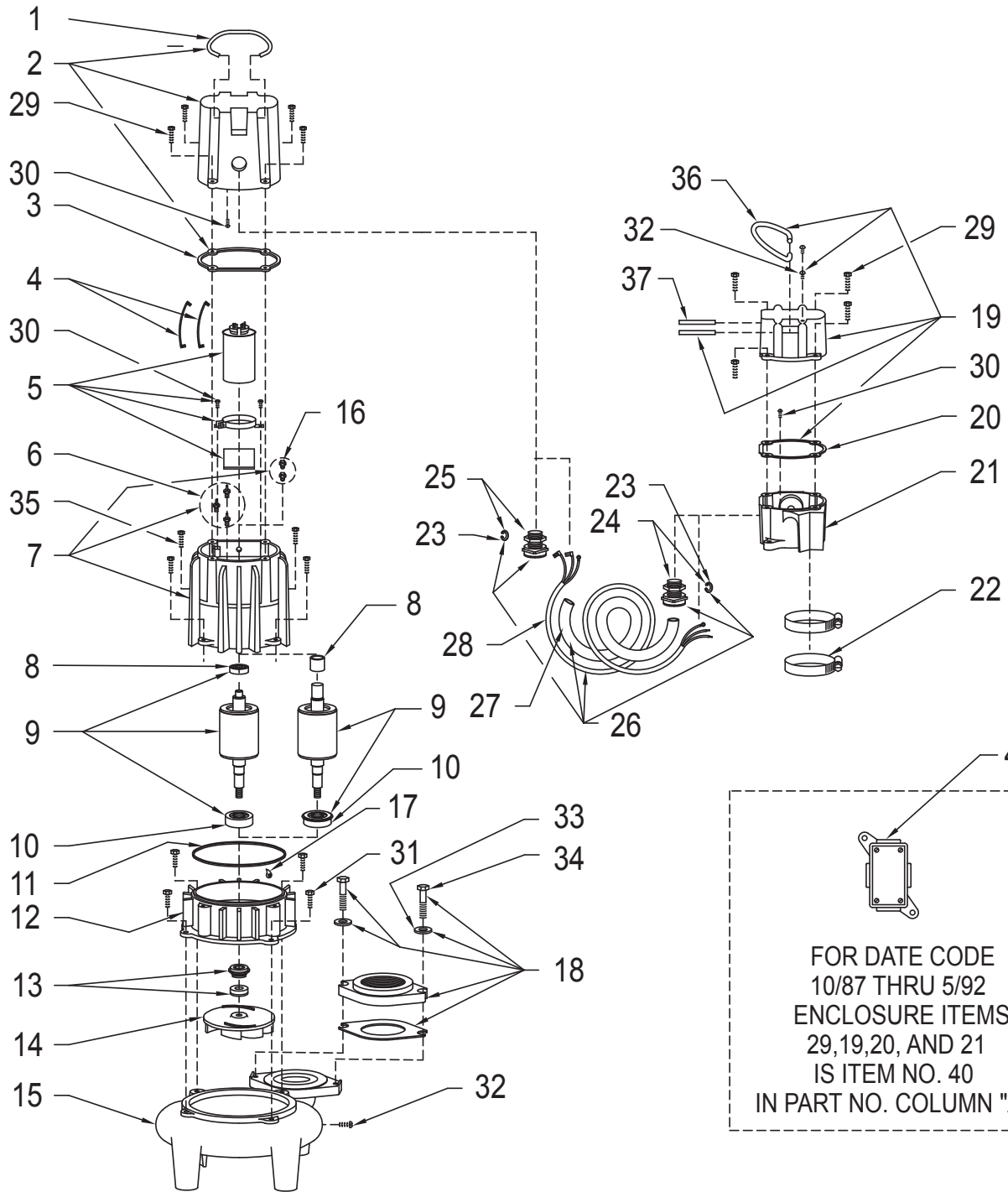
- 1) Strain Relief (Item 23) can be purchased separately, but is included with Cord, Terminal & Seal Assembly (Item 26) and with Seal, Cord Assembly (Items 24 and 25).
- 2) Mtr. Hsg., Brg., Stator & Term. (Item 7) are preassembled at the factory and must be replaced as a unit. Stator is permanently attached to the Motor Housing. Plug (Item 16); Seal, Thru Wall Term. (Item 6) and Bearing - Upper (Item 8) are replaceable.
- 3) When ordering Motor Housing, Bearing, Stator and Term. (Item 9) or Rotor (Item 11) specify either GE or Emerson motor. GE motor can be identified by (4) holes spaced at 90° around the outside diameter of the stator. Emerson motor can be identified by (4) flat edges spaced at 90° around the outside diameter of the stator.
- 4) See FM0160 Parts Price Sheet for listing of parts prices.
- 5) "N/A" indicates, not applicable.

REPLACEMENT PARTS ILLUSTRATION FOR MODELS "M3282" and "D3282"



SK787

REPLACEMENT PARTS ILLUSTRATION FOR MODELS "N3282" and "E3282"



SK929

NOTES



MAIL TO: P.O. BOX 16347 • Louisville, KY 40256-0347
SHIP TO: 3649 Cane Run Road • Louisville, KY 40211-1961
(502) 778-2731 • 1 (800) 928-PUMP • FAX (502) 774-3624

Trusted. Tested. Tough.®

Visit our website:
zoellerpumps.com