

Product information presented here reflects conditions at time of publication. Consult factory regarding discrepancies or inconsistencies.



MAIL TO: P.O. BOX 16347 • Louisville, KY 40256-0347  
 SHIP TO: 3649 Cane Run Road • Louisville, KY 40211-1961  
 TEL: (502) 778-2731 • 1 (800) 928-PUMP • FAX: (502) 774-3624

Visit our website:  
 zoellerpumps.com

## REPLACEMENT PARTS LIST FOR MODELS:

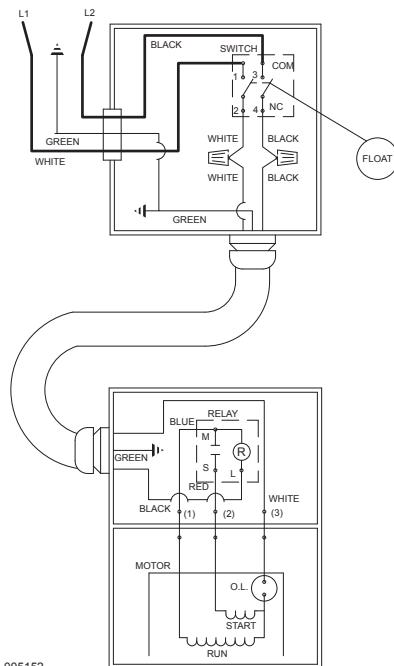
M3139 AUTOMATIC 115V  
 N3139 NONAUTOMATIC 115V  
 D3139 AUTOMATIC 230V  
 E3139 NONAUTOMATIC 230V

Consult factory for all other models

### TO ORDER REPLACEMENT PARTS:

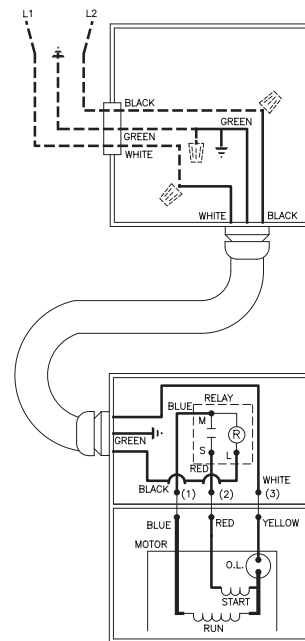
#### PLEASE FURNISH THE FOLLOWING INFORMATION:

- Model Number.
- Part Number of Pump.  
 (If manufactured prior to June 1988, give 2 letter date code following Model No.)
- Part Number and Description of part.



005152

WIRING DIAGRAM FOR MODELS  
 "M3139" All Revisions and "D3139" All Revisions  
 10/87 (WT) to Current



005236

WIRING DIAGRAM FOR MODELS  
 "N3139" All Revisions and "E3139" All Revisions  
 10/87 (WT) thru Current

**REPLACEMENT PARTS LIST FOR MODELS "M3139" & "D3139"**

See back page for illustrations.

REF. NO.	DESCRIPTION	QTY	NOTES	MODELS: M3139-A					MODELS: M3139-B					MODELS: M3139-C					MODELS: M3139-D					MODELS: M3139-E				
				10/87 WT thru 2/90	3/90 thru 3/92	4/92 thru 9/94	10/94 thru 9/01	10/01 thru 4/19	10/87 WT thru 3/92	4/92 thru 9/94	10/94 thru 9/01	10/01 thru 4/19	10/87 WT thru 3/92	4/92 thru 9/94	10/94 thru 9/01	10/01 thru 4/19	10/87 WT thru 3/92	4/92 thru 9/94	10/94 thru 9/01	10/01 thru 4/19								
1	• Handle	1		267032	267032	267032	267032	267032		267032	267032	267032	267032		267032	267032	267032	267032										
2	Cover & Handle	1		005364	005364	005364	009649	009649		005364	005364	009649	009649		005364	005364	009649	009649										
3	Retainer, Handle	1		267053	267053	267053	267053	267053		267053	267053	267053	267053		267053	267053	267053	267053										
4	• Gasket, Case or Cover	1		267007	267007	267007	267007	014555		267007	267007	267007	014555		267007	267007	267007	014555										
5	Relay Asm	1		002474	002474	002474	002474	002474		147135	147135	147135	147135		147135	147135	147135	147135										
6	• Wire Pkg. (BL & R)	1		267014	267014	267014	267014	267014		267014	267014	267014	267014		267014	267014	267014	267014										
7	• Seal, Thru Wall Term	3		003402	003402	003402	003402	003402		003402	003402	003402	003402		003402	003402	003402	003402										
8	• Plug	3		034051	034051	034051	034051	034051		034051	034051	034051	034051		034051	034051	034051	034051										
9	Mtr. Hsg, Brg, Stator & Term-GE	1	3,4	005358	005358	005358	005358	005358		005359	005359	005359	005359		005359	005359	005359	005359										
	Mtr. Hsg, Brg, Stator & Term-Emer	1	3,4	005358	005358	006143	006143	006143		005359	006144	006144	006144		005359	006144	006144	006144										
10	Bearing, Upper Rotor	1		034052	034052	N/A	N/A	N/A		034052	N/A	N/A	N/A		034052	N/A	N/A	N/A										
11	Rotor (115V/230V)-GE	1		267005	267005	267005	267005	267005		267005	267005	267005	267005		267005	267005	267005	267005										
	Rotor (115V/230V)-Emerson	1		267005	267005	004021	004021	004021		267005	004021	004021	004021		267005	004021	004021	004021										
12	• Washer, Thrust	1		002140	002140	002140	002140	002140		002140	002140	002140	002140		002140	002140	002140	002140										
13	• Seal, Mtr Hsg.	1		267006	267006	267006	267006	014256		267006	267006	267006	014256		267006	267006	267006	014256										
14	• Oil, Dielectric	1	7	267056	060604	060604	060604	060604		267056	060604	060604	060604		267056	060604	060604	060604										
15	Bearing, Lower	1		054024	054024	N/A	N/A	N/A		054024	N/A	N/A	N/A		054024	N/A	N/A	N/A										
16	Pump Housing	1		139018	139018	139018	139018	139018		139018	139018	139018	139018		139018	139018	139018	139018										
17	• Seal, Shaft	1		005095	005095	005095	005095	014554		005095	005095	005095	014554		005095	005095	005095	014554										
18	Impeller	1		139006	139006	139006	139006	139006		139006	139006	139006	139006		139006	139006	139006	139006										
19	Base & Plate Asm	1		139002	139002	139002	139002	139002		139002	139002	139002	139002		139002	139002	139002	139002										
20	Strainer Plate	1		137008	137008	137008	137008	137008		137008	137008	137008	137008		137008	137008	137008	137008										
21	Case Handle & Arm	1	6	004714	004714	007088	007088	007088		007088	007088	007088	007088		007088	007088	007088	007088										
22	Guard	1		004645	004645	267008	267008	267008		267008	267008	267008	267008		267008	267008	267008	267008										
23	• Arm & Seal	1		004704	004704	004704	004704	004704		004741	004741	004741	004741		004741	004741	004741	004741										
24	Case & Switch	1		005349	005349	007802	007802	007802		007802	007802	007802	007802		007802	007802	007802	007802										
25	Switch Asm	1		005350	005350	005350	005350	005350		005350	005350	005350	005350		005350	005350	005350	005350										
26	Housing, Switch Case	1		004907	004907	006836	009453	009453		006836	006836	009453	009453		006836	006836	009453	009453										
27	Float	1		034019	034019	034019	034019	034019		034019	034019	034019	034019		034019	034019	034019	034019										
28	Float Rod Asm	1		005352	005352	005352	005352	005352		005352	005352	005352	005352		005352	005352	005352	005352										
29	Float-Mach	1		004912	004912	004912	004912	004912		004912	004912	004912	004912		004912	004912	004912	004912										
30	Cord Term & Seal	1	1	005348	005348	005348	005348	005348		005369	005369	005348	005348		005369	005369	005348	005348										
31	Strain Relief	1	1	001770	001770	001770	001770	001770		001770	001770	001770	001770		001770	001770	001770	001770										
32	Seal Asm & Strain Relief	1	1	004721	004721	004721	004721	004721		004721	004721	004721	004721		004721	004721	004721	004721										
33	• Seal Asm, Conduit	2	1	018077	018077	018077	009643	009643		018077	018077	009643	009643		018077	018077	009643	009643										
34	• Gasket, Case or Cover	1		034046	034046	267007	267007	014555		034046	267007	267007	014555		034046	267007	267007	014555										
35	Cordage Conduit & Seals	1		018082	018082	018082	009646	009646		018082	018082	009646	009646		018082	018082	009646	009646										
36	Conduit 3'	1		005167	005167	005167	005167	005167		005167	005167	005167	005167		005167	005167	005167	005167										
37	Cordage & Terms	1		005351	005351	005351	005351	005351		005351	005351	005351	005351		005351	005351	005351	005351										
38	• Wirenut Connector	2		001776	001776	001776	001776	001776		001776	001776	001776	001776		001776	001776	001776	001776										
39	Clamp, #36 Worm	1		001766	001766	001766	001766	001766		001766	001766	001766	001766		001766	001766	001766	001766										
40	• Screw, .25-20 x .75 HHM-SS	13		001916	001916	001916	001916	001916		001916	001916	001916	001916		001916	001916	001916	001916										
41	• Screw, #10-24 x .375 RHM-SS	5		001883	001883	001883	001883	001883		001883	001883	001883	001883		001883	001883	001883	001883										
42	• Screw, #6-32 x .25 RHM SL STLGR	2		001877	001877	001877	001877	001877		001877	001877	001877	001877		001877	001877	001877	001877										
43	• Sem, #10-24 x .375 HH-SL TC	2		002000	002000	002000	002000	002000		002000	002000	002000	002000		002000	002000	002000	002000										
44	• Screw, #6-32 x .375 RH SL STLZI	2		004644	004644	004644	004644	004644		004644	004644	004644	004644		004644	004644	004644	004644										
45	Screw, #1/4-20 x .875	4		012491	012491	012491	012491	012491		012491	012491	012491	012491		012491	012491	012491	012491										
□	Rebuild Kit	1		018089	018089	018089	018087	018087		018089	018089	018087	018087		018089	018089	018087	018087										

• Items included in Rebuild Kit. □ Not shown in illustration.

**NOTES:**

- 1) Strain Relief (Item 31) can be purchased separately, but is included with Cord, Terminal & Seal Assembly (Item 30) and with Seal, Cord Assembly (Item 32 and 33).
- 2) Mtr. Hsg., Brg., Stator & Term. (Item 9) are preassembled at the factory and must be replaced as a unit. Stator is permanently attached to the Motor Housing. Plug (Item 8); Seal, Thru Wall Term. (Item 7) and Bearing - Upper (Item 10) are replaceable).
- 3) When ordering Motor Housing, Bearing, Stator and Term. (Item 9) or Rotor (Item 11) specify either GE or Emerson motor. GE motor can be identified by (4) holes spaced at 90° around the outside diameter of the stator. Emerson motor can be identified by (4) flat edges spaced at 90° around the outside diameter of the stator.
- 4) See FM0160 Parts Price Sheet for listing of parts prices.
- 5) "NA" indicates, not applicable.
- 6) If an "X" follows Model No., or Date Mfg. on brass ID tag, consult factory for ordering any parts.
- 7) When ordering Dielectric Oil (Item 14) for 115V Revision "A" pumps only, relay (Item 5) must be ordered.

# REPLACEMENT PARTS LIST FOR MODELS "N3139" & "E3139"

See back page for illustrations.

REF. NO.	DESCRIPTION	QTY	NOTES	MODELS: N3139-A					MODELS: E3139-A				
				10/87 WT thru 2/90	3/90 thru 3/92	4/92 thru 9/94	10/94 thru 9/01	10/01 thru 4/19	10/87 WT thru 4/92	5/92 thru 9/94	10/94 thru 9/01	10/01 thru 4/19	
1	• Handle	2		267032	267032	267032	267032	267032	267032	267032	267032	267032	
2	Cover & Handle	1		005364	005364	005364	009649	009649	005364	005364	009649	009649	
3	Retainer, Handle	4		267053	267053	267053	267053	267053	267053	267053	267053	267053	
4	• Gasket, Case or Cover	1		267007	267007	267007	267007	014555	267007	267007	267007	014555	
5	Relay Asm	1		002474	002474	002474	002474	002474	147135	147135	002474	002474	
6	• Wire Pkg. (BL & R)	1		267014	267014	267014	267014	267014	267014	267014	267014	267014	
7	• Seal, Thru Wall Term	3		003402	003402	003402	003402	003402	003402	003402	003402	003402	
8	• Plug	2		034051	034051	034051	034051	034051	034051	034051	034051	034051	
9	Mtr. Hsg, Brg, Stator & Term-GE	1	3,4	005358	005358	005358	005358	005358	005359	005359	005359	005359	
	Mtr. Hsg, Brg, Stator & Term-Emer	1	3,4	005358	005358	006143	006143	006143	005359	006144	006143	006143	
10	Bearing, Upper Rotor	1		034052	034052	N/A	N/A	N/A	034052	034052	N/A	N/A	
11	Rotor (115V/230V)-GE	1		267005	267005	267005	267005	267005	267005	267005	267005	267005	
	Rotor (115V/230V)-Emerson	1		267005	267005	004021	004021	004021	267005	004021	004021	004021	
12	• Washer, Thrust	1		002140	002140	002140	002140	002140	002140	002140	002140	002140	
13	• Seal, Mtr Hsg.	1		267006	267006	267006	267006	014256	267006	267006	267006	014256	
14	• Oil, Dielectric	1	7	267056	006064	006064	006064	006064	267056	006064	006064	006064	
15	Bearing, Lower	1		054024	054024	N/A	N/A	N/A	054024	N/A	N/A	N/A	
16	Pump Housing	1		139018	139018	139018	139018	139018	139018	139018	139018	139018	
17	• Seal, Shaft	1		005095	005095	005095	005095	014554	005095	005095	005095	014554	
18	Impeller	1		139006	139006	139006	139006	139006	139006	139006	139006	139006	
19	Base & Plate Asm	1		139002	139002	139002	139002	139002	139002	139002	139002	139002	
20	Strainer Plate	1		137008	137008	137008	137008	137008	137008	137008	137008	137008	
21	Cover, Plate & Gasket	1		N/A	N/A	007652	007652	007652	N/A	007652	007652	007652	
22	Housing, Switch Case	1		N/A	N/A	006837	009454	009454	N/A	006837	009454	009454	
23	Clamp, #36 Worm	1		N/A	N/A	001766	001766	001766	001766	001766	001766	001766	
24	Strain Relief	2	1	001770	001770	001770	001770	001770	001770	001770	001770	001770	
25	• Seal Asm, Conduit	2	1	018078	018078	018078	009643	009643	018078	018078	009643	009643	
26	• Gasket, Case or Cover	1		N/A	N/A	267007	267007	014555	034046	267007	267007	014555	
27	Cordage Conduit & Seals	1		018084	018084	018084	009647	009647	018084	018084	009647	009647	
28	Conduit 6'	1		005252	005252	005252	005252	005252	005252	005252	005252	005252	
29	Cordage & Terms	1		005354	005354	005354	005354	005354	005354	005354	005354	005354	
30	• Screw, .25-20 x .75 HHM-SS	13		001916	001916	001916	001916	001916	001877	001877	001877	001877	
31	• Screw, #10-24 x .375 RHM-SS	5		N/A	N/A	001883	001883	001883	001883	001883	001883	001883	
32	• Screw, #6-32 x .375 RH SL STLZI	2		004644	004644	004644	004644	004644	004644	004644	004644	004644	
33	• Screw, #10-24 x .375HH-SL TC	2		002000	002000	002000	002000	002000	002000	002000	002000	002000	
34	• Screw, .25-20 x .875 LG HH SS	4		012491	012491	012491	012491	012491	012491	012491	012491	012491	
42	Junction Box Assembly	1		005435	005435	N/A	N/A	N/A	005435	N/A	N/A	N/A	
□	Rebuild Kit	1		018090	018090	018090	018087	018087	018090	018090	018087	018087	

\* Items included in Rebuild Kit.

□ Not shown in illustration.

**NOTES:**

- 1) Strain Relief (Item 24) can be purchased separately, but is included with Cord, Terminal & Seal Assembly (Item 29) and with Seal, Cord Assembly (Item 25).
- 2) Mtr. Hsg., Brg., Stator & Term. (Item 9) are preassembled at the factory and must be replaced as a unit. Stator is permanently attached to the Motor Housing. Plug (Item 8); Seal, Thru Wall Term. (Item 7) and Bearing - Upper (Item 10) are replaceable.
- 3) When ordering Motor Housing, Bearing, Stator and Term. (Item 9) or Rotor (Item 11) specify either GE or Emerson motor. GE motor can be identified by (4) holes spaced at 90° around the outside diameter of the stator. Emerson motor can be identified by (4) flat edges spaced at 90° around the outside diameter of the stator.
- 4) See FM0160 Parts Price Sheet for listing of parts prices.
- 5) "NA" indicates, not applicable.
- 6) If an "X" follows Model No., or Date Mfg. on brass ID tag, consult factory for ordering any parts.
- 7) When ordering Dielectric Oil (Item 14) for 115V Revision "A" pumps only, relay (Item 5) must be ordered.

**DATE CODE OF MANUFACTURE FROM 12/70 to 12/88**

1st LETTER MONTH		2nd LETTER YEAR			
M --- JAN.	T --- JULY	A --- 1971	G --- 1977	O --- 1983	
N --- FEB.	U --- AUG.	B --- 1972	H --- 1978	P --- 1984	
O --- MARCH	V --- SEPT.	C --- 1973	I --- 1979	R --- 1985	
P --- APRIL	W --- OCT.	D --- 1974	J --- 1980	S --- 1986	
R --- MAY	X --- NOV.	E --- 1975	M --- 1981	T --- 1987	
S --- JUNE	Y --- DEC.	F --- 1976	N --- 1982	U --- 1988	

**NOTE:** Four digit (MMYY) date of mfg. used after June, 1988.  
IE: MMYY = 0192 = Jan. 1992.

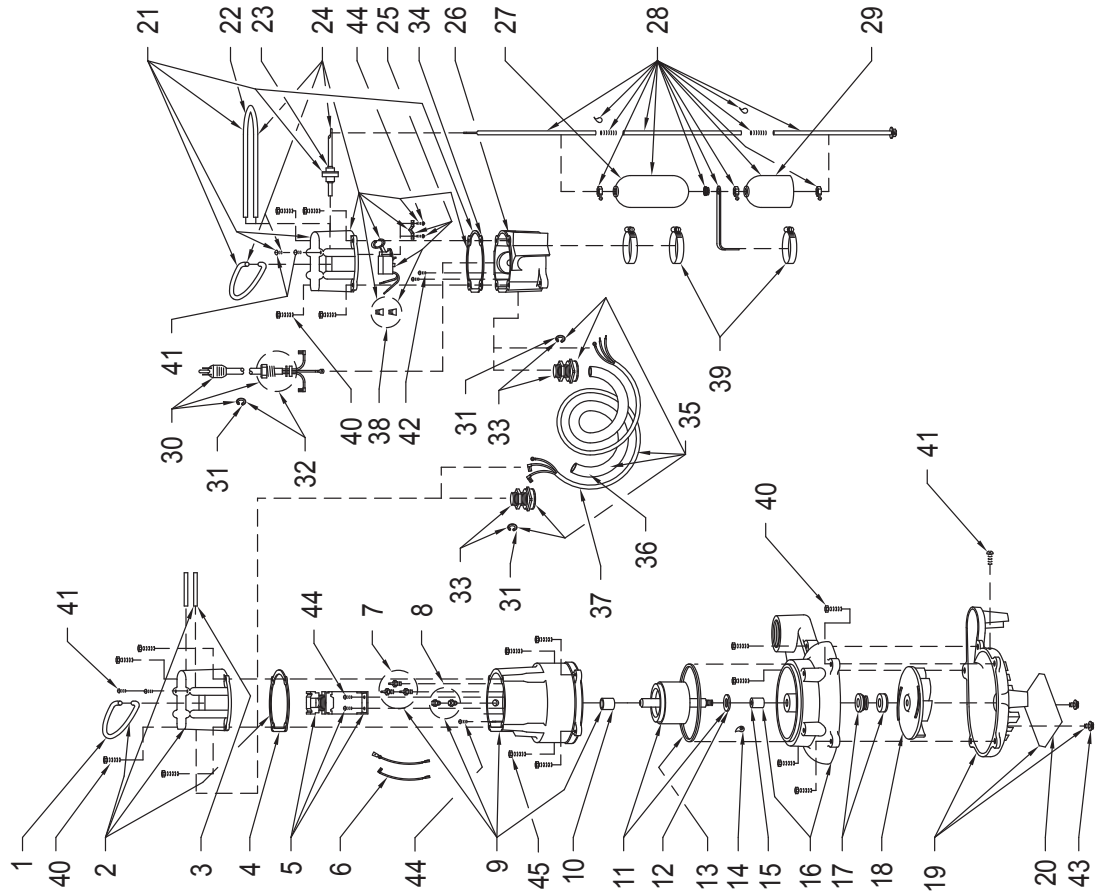


MAIL TO: P.O. BOX 16347 • Louisville, KY 40256-0347  
SHIP TO: 3649 Cane Run Road • Louisville, KY 40211-1961  
(502) 778-2731 • 1 (800) 928-PUMP • FAX (502) 774-3624

Visit our website:  
zoellerpumps.com

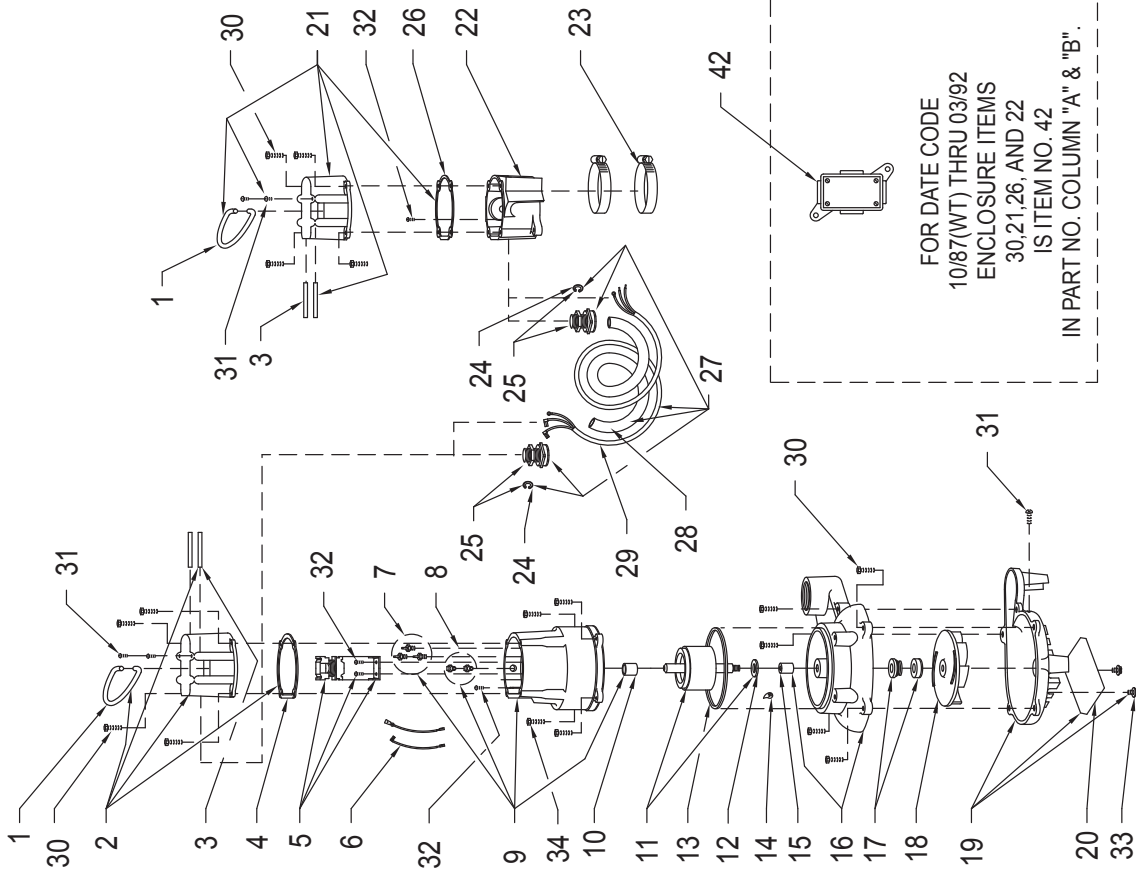
Trusted. Tested. Tough.®

REPLACEMENT PARTS ILLUSTRATION FOR MODELS "M3139" and "D3139"



SK786

REPLACEMENT PARTS ILLUSTRATION FOR MODELS "N3139" and "E3139"



SK028