

Product information presented here reflects conditions at time of publication. Consult factory regarding discrepancies or inconsistencies.



MAIL TO: P.O. BOX 16347 • Louisville, KY 40256-0347  
 SHIP TO: 3649 Cane Run Road • Louisville, KY 40211-1961  
 TEL: (502) 778-2731 • 1 (800) 928-PUMP • FAX: (502) 774-3624

Visit our website:  
 zoellerpumps.com

## REPLACEMENT PARTS LIST FOR MODELS:

Permanent Split Capacitor Motor Design

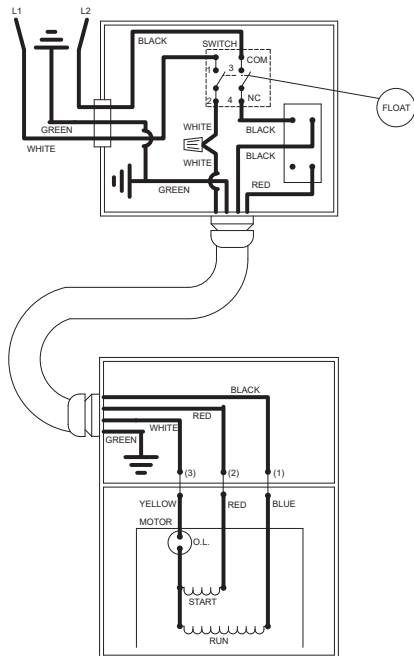
M3137 AUTOMATIC 115V  
 N3137 NONAUTOMATIC 115V  
 D3137 AUTOMATIC 230V  
 E3137 NONAUTOMATIC 230V

Consult factory for all other models

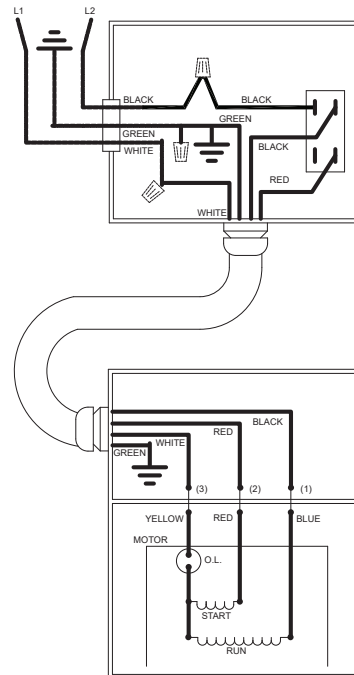
*TO ORDER REPLACEMENT PARTS:*

**PLEASE FURNISH THE FOLLOWING INFORMATION:**

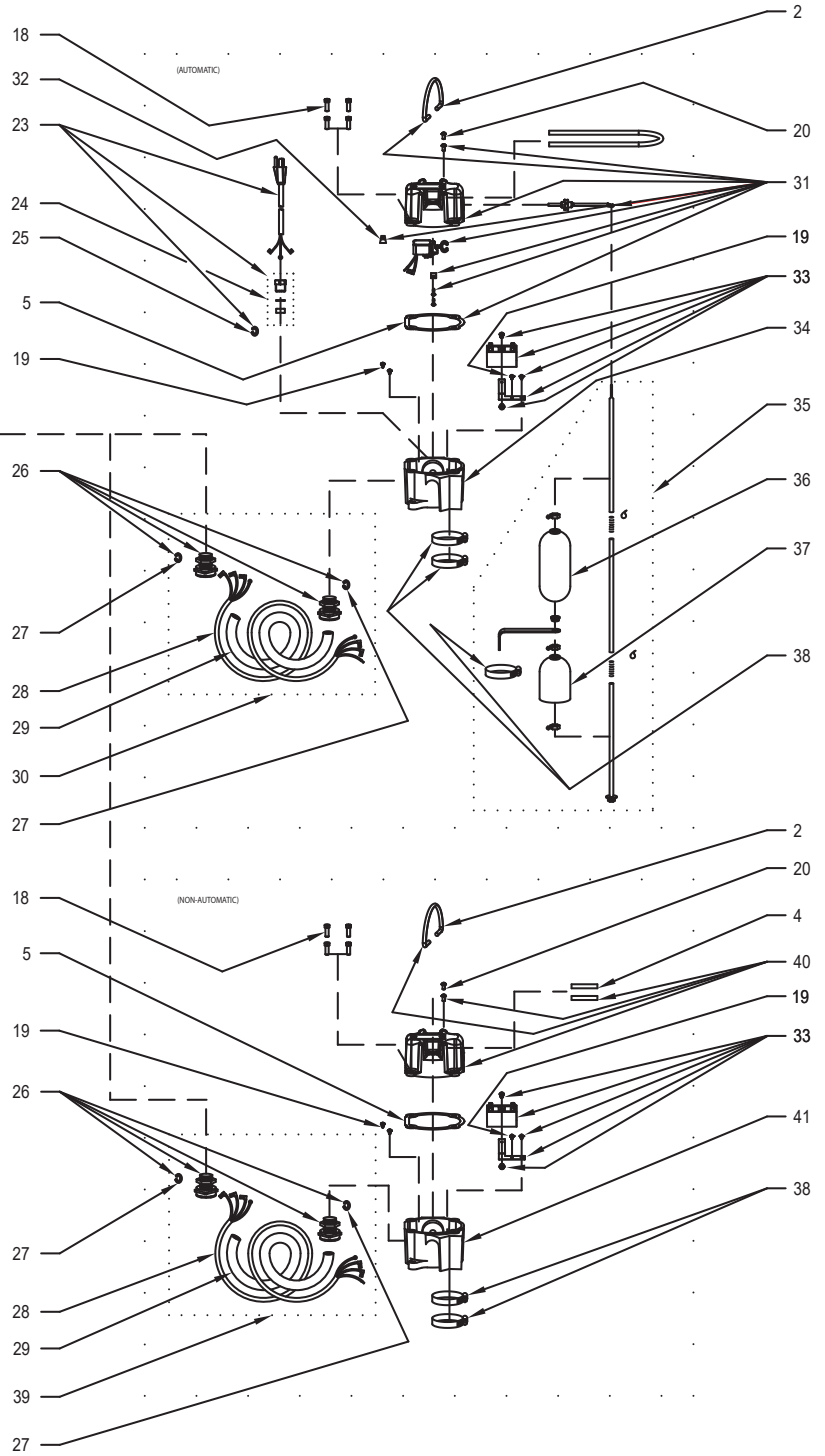
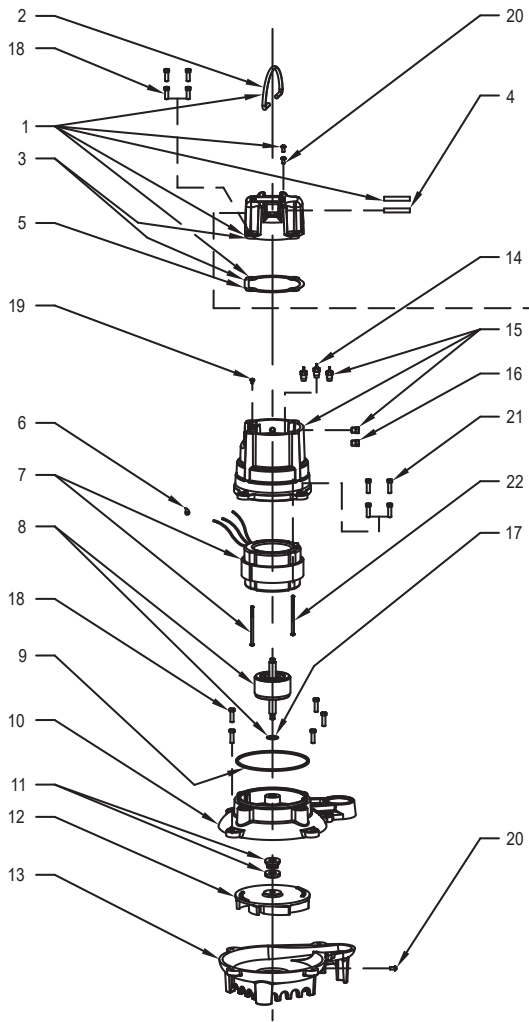
- Model Number.
- Part Number of Pump.  
 (If manufactured prior to June 1988, give 2 letter date code following Model No.)
- Part Number and Description of part.



WIRING DIAGRAM FOR MODELS  
 "M3137" All Revisions and "D3137" All Revisions  
 10/87 (WT) to Current



WIRING DIAGRAM FOR MODELS  
 "N3137" All Revisions and "E3137" All Revisions  
 10/87 (WT) thru Current



SK3234

M3137-F, N3137-F, D3137-E, E3137-E.								
REF NO.	QTY	Kit	DESCRIPTION	NOTES	M3137-F 10/19 thru CURRENT.	N3137-F 10/19 thru CURRENT.	D3137-E 10/19 thru CURRENT.	E3137-E 10/19 thru CURRENT.
1	1		Cover assembly - Pump		009606	009606	009606	009606
2	3	*	Handle		267032	267032	267032	267032
3	1		Cover Mach. & Gasket - Pump		009606	009606	009606	009606
4	4	*	Retainer - Pump		267053	267053	267053	267053
5	3	*	Gasket - Case/Cover		014555	014555	014555	014555
6	1	*	Dielectric oil		006064	006064	006064	006064
7	1		Stator with screws		156095	156095	156096	156096
8	1		Rotor assembly		155788	155788	155788	155788
9	1	*	Motor housing seal		014256	014256	014256	014256
10	1		Pump housing - Mach.		137004	137004	137004	137004
11	1	*	Shaft seal Assembly		014554	014554	014554	014554
12	1		Impeller		137006	137006	137006	137006
13	1		Base		001509	001509	001509	001509
14	3	*	Thru wall terminals		003402	003402	003402	003402
15	1		Motor Housing assembly		156097	156097	156097	156097
16	2	*	Test plugs		015023	015023	015023	015023
17	1	*	Thrust washer		002140	002140	002140	002140
18	17	*	Screw - Cover & Base (1/4-20 x 3/4" long)		001916	001916	001916	001916
19	8	*	Screw - Ground (#6-32 x 1/4" long)		001877	001877	001877	001877
20	7	*	Screw - Guard & retainers/Guide (#10-24 x 3/8" long)		001883	001883	001883	001883
21	4	*	Screw - Motor housing (1/4-20 x 7/8" long)		012491	012491	012491	012491
22	2	*	Screw - Stator (#8-32 x 3 1/16" long)		154768	154768	154768	154768
23	1		Cord Term and Seal		005348	N/A	005369	N/A
24	1		Strain relief		001770	N/A	001770	N/A
25	1		Seal asm & strain relief		004721	N/A	004721	N/A
26	4	*	Seal asm - conduit		009643	009643	009643	009643
27	1		Strain relief		001770	001770	001770	001770
28	1		Cordage and terminals		007091	N/A	007091	N/A
29	1		Conduit 3'		005167	005167	005167	005167
30	1		Cordage, conduit & seals - Automatic		009644	N/A	009644	N/A
31	1		Case and Switch - Automatic		007087	N/A	007087	N/A
32	1	*	Wire nut connector		001776	N/A	001776	N/A
33	1		Capacitor assembly		156122	156122	156122	156122
34	1		Housing, Switch case - Automatic		009453	009453	009453	009453
35	1		Float rod assembly		005352	N/A	005352	N/A
36	1		Float - large		034019	N/A	034019	N/A
37	1		Float - small		004912	N/A	004912	N/A
38	5		Clamp		001766	N/A	001766	N/A
39	1		Cordage, conduit & seals - Non-Automatic		N/A	009645	N/A	009645
40	1		Case and Switch - Non-Automatic		N/A	267051	N/A	267051
41	1		Housing, Switch case - Non-Automatic		009454	009454	009454	009454
*	1		Rebuild Kit		156098	156098	156098	156098

Trusted. Tested. Tough.®

Product information presented here reflects conditions at time of publication. Consult factory regarding discrepancies or inconsistencies.



MAIL TO: P.O. BOX 16347 • Louisville, KY 40256-0347  
SHIP TO: 3649 Cane Run Road • Louisville, KY 40211-1961  
TEL: (502) 778-2731 • 1 (800) 928-PUMP • FAX: (502) 774-3624

Visit our website:  
zoellerpumps.com

# REPLACEMENT PARTS LIST FOR MODELS:

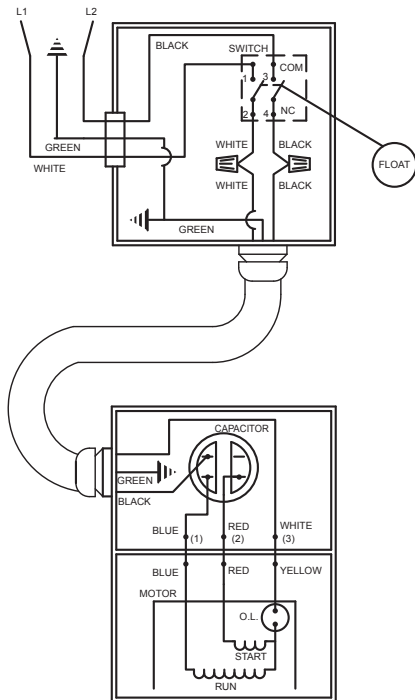
## Split Phase Motor Design

M3137 AUTOMATIC 115V  
N3137 NONAUTOMATIC 115V  
D3137 AUTOMATIC 230V  
E3137 NONAUTOMATIC 230V

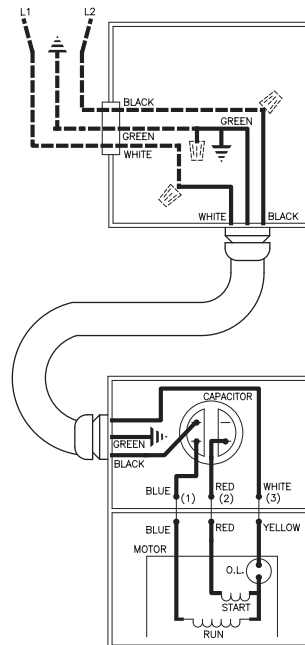
Consult factory for all other models

*TO ORDER REPLACEMENT PARTS:*  
**PLEASE FURNISH THE FOLLOWING INFORMATION:**

- Model Number.
- Part Number of Pump.  
(If manufactured prior to June 1988, give 2 letter date code following Model No.)
- Part Number and Description of part.

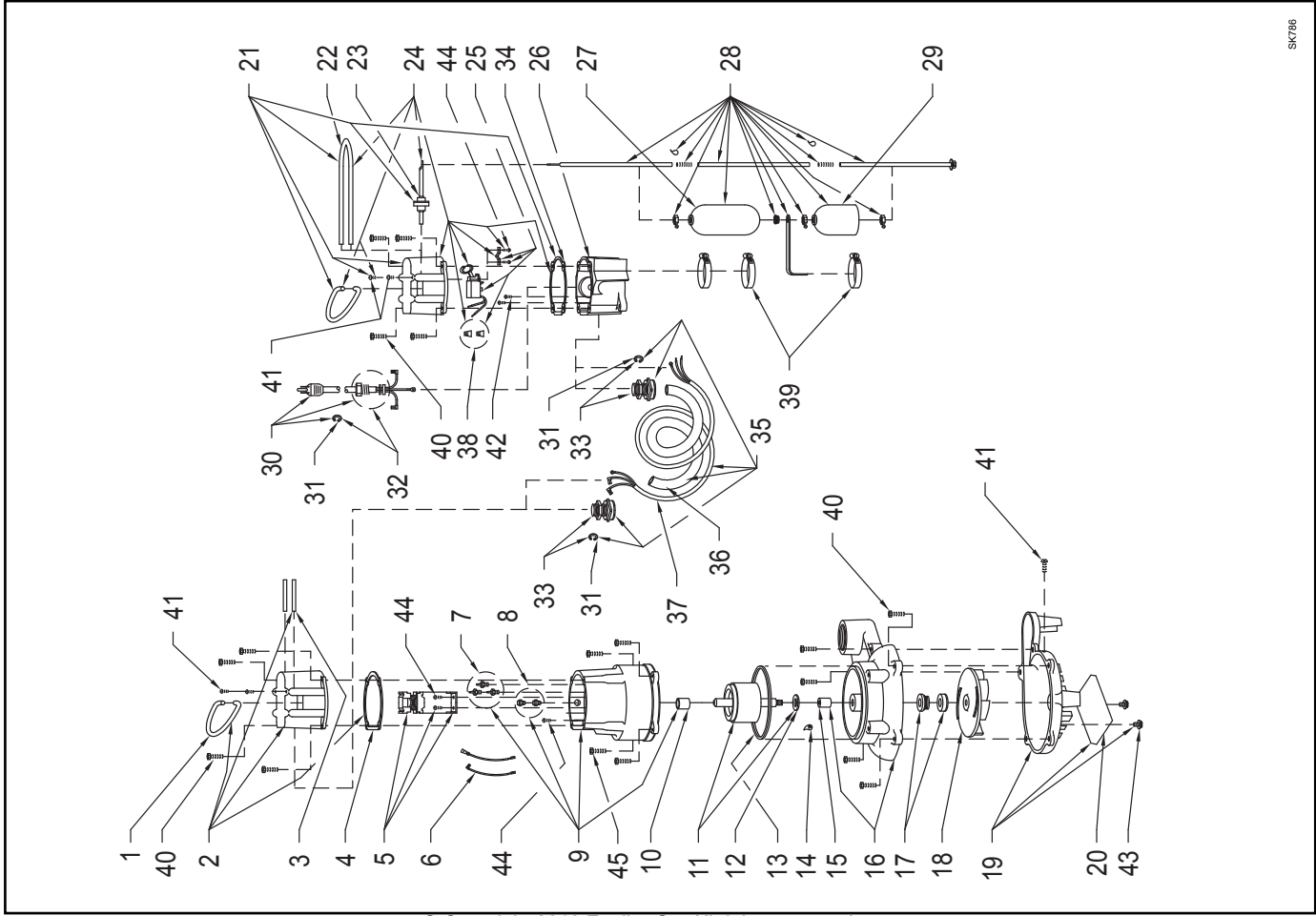


WIRING DIAGRAM FOR MODELS  
"M3137" All Revisions and "D3137" All Revisions  
10/87 (WT) to Current



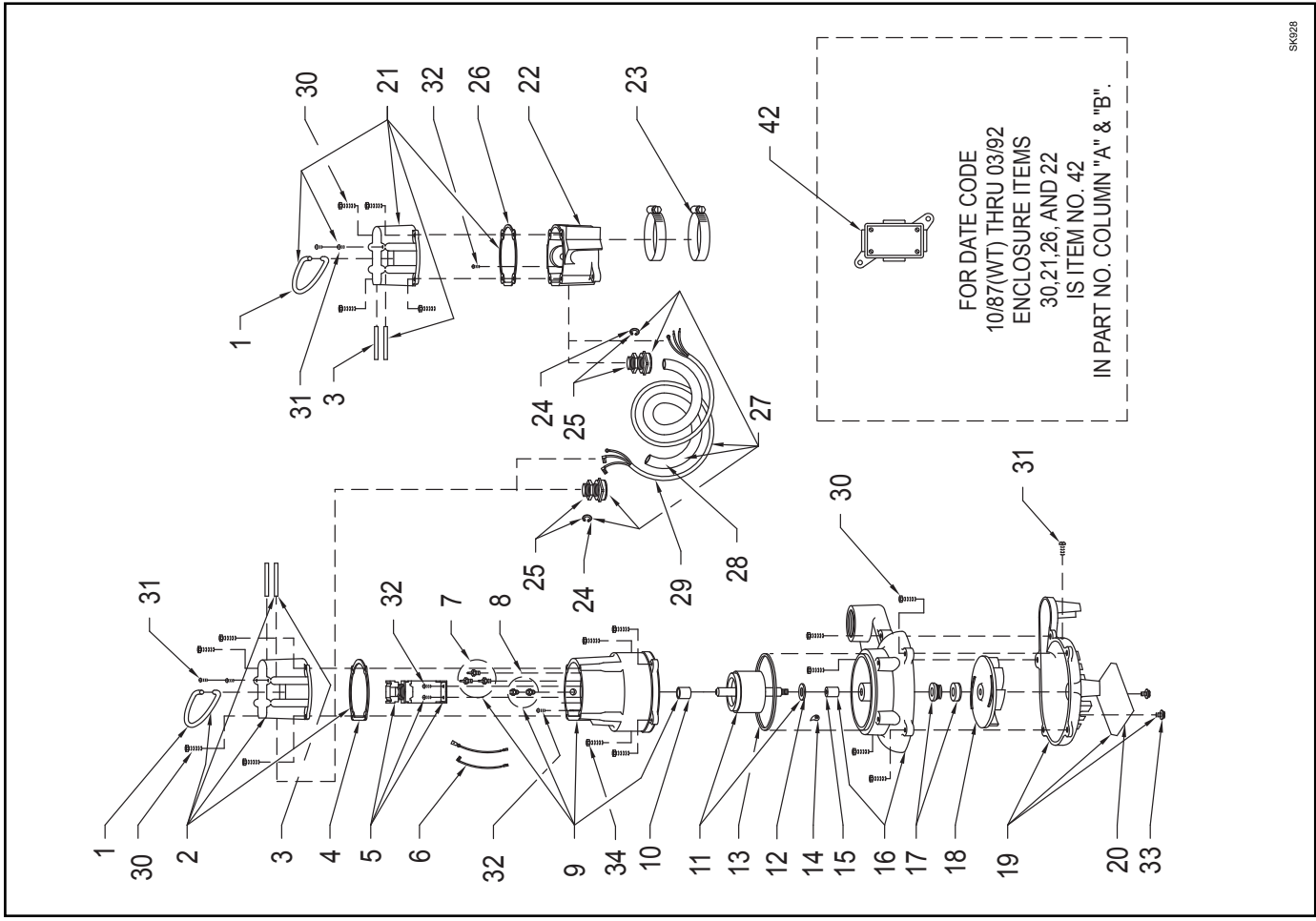
WIRING DIAGRAM FOR MODELS  
"N3137" All Revisions and "E3137" All Revisions  
10/87 (WT) thru Current

REPLACEMENT PARTS ILLUSTRATION FOR MODELS "M3137" and "D3137"



SK786

REPLACEMENT PARTS ILLUSTRATION FOR MODELS "N3137" and "E3137"



SK928



# REPLACEMENT PARTS LIST FOR MODELS "N3137" & "E3137"

See back page for illustrations.

REF. NO.	DESCRIPTION	QTY	NOTES	MODELS: N3137-A					MODELS: E3137-A				
				10/87 WT thru 2/90	3/90 thru 3/92	4/92 thru 9/94	10/94 thru 9/01	10/01 thru 05/18	10/87 WT thru 4/92	5/92 thru 9/94	10/94 thru 9/01	10/01 thru 12/18	
1	• Handle	2		267032	267032	267032	267032	267032		267032	267032	267032	267032
2	Cover & Handle	1		005363	005363	005363	009606	009606		005363	005363	009606	009606
3	Retainer, Handle	4		267053	267053	267053	267053	267053		267053	267053	267053	267053
4	• Gasket, Case or Cover	1		267007	267007	267007	267007	014555		267007	267007	267007	014555
5	Relay Asm	1		002474	002474	002474	002474	002474		147135	147135	147135	147135
6	• Wire Pkg. (BL & R)	1		267014	267014	267014	267014	267014		267014	267014	267014	267014
7	• Seal, Thru Wall Term	3		003402	003402	003402	003402	003402		003402	003402	003402	003402
8	• Plug	2		034051	034051	034051	034051	034051		034051	034051	034051	034051
9	Mtr. Hsg, Brg, Stator & Term-GE	1	3,4	005356	005356	005356	005356	005356		005357	005357	005357	005357
	Mtr. Hsg, Brg, Stator & Term-Emer	1	3,4	005356	005356	006141	006141	006141		005357	006142	006142	006142
10	Bearing, Upper Rotor	1		034052	034052	034052	N/A	N/A		034052	034052	N/A	N/A
11	Rotor (115V/230V)-GE	1		267005	267005	267005	267005	267005		267005	267005	267005	267005
	Rotor (115V/230V)-Emerson	1		N/A	N/A	004021	004021	004021		N/A	004021	004021	004021
12	• Washer, Thrust	1		002140	002140	002140	002140	002140		002140	002140	002140	002140
13	• Seal, Mtr Hsg.	1		267006	267006	267006	267006	014256		267006	267006	267006	014256
14	• Oil, Dielectric	1	7	267056	006064	006064	006064	006064		267056	006064	006064	006064
15	Bearing, Lower	1		054024	054024	N/A	N/A	N/A		054024	N/A	N/A	N/A
16	Pump Housing	1		137004	137004	137004	137004	137004		137004	137004	137004	137004
17	• Seal, Shaft	1		005095	005095	005095	005095	014554		005095	005095	005095	014554
18	Impeller	1		137006	137006	137006	137006	137006		137006	137006	137006	137006
19	Base & Plate Asm	1		137020	137020	137020	137020	137020		137020	137020	137020	137020
20	Strainer Plate	1		137008	137008	137008	137008	137008		137008	137008	137008	137008
21	Cover, Plate & Gasket	1		N/A	N/A	007652	007652	007652		N/A	007652	007652	007652
22	Housing, Switch Case	1		N/A	N/A	006837	009454	009454		N/A	006837	009454	009454
23	Clamp, #36 Worm	1		N/A	N/A	001766	001766	001766		001766	001766	001766	001766
24	Strain Relief	2	1	001770	001770	001770	001770	001770		001770	001770	001770	001770
25	• Seal Asm, Conduit	2	1	018076	018076	018076	009643	009643		018076	018076	009643	009643
26	• Gasket, Case or Cover	1		N/A	N/A	267007	267007	014555		034046	267007	267007	014555
27	Cordage Conduit & Seals	1		018083	018083	018083	009647	009647		018083	018083	009647	009647
28	Conduit 6'	1		005252	005252	005252	005252	005252		005252	005252	005252	005252
29	Cordage & Terms	1		005354	005354	005354	005354	005354		005354	005354	005354	005354
30	• Screw, .25-20 x .75 HHM-SS	13		001916	001916	001916	001916	001916		001916	001916	001916	001916
31	• Screw, #10-24 x .375 RHM-SS	5		N/A	N/A	001883	001883	001883		001883	001883	001883	001883
32	• Screw, #6-32 x .375 RH SL STLZI	2		N/A	N/A	004644	004644	004644		004644	004644	004644	004644
33	• Screw, #10-24 x .375HH-SL TC	2		002000	002000	002000	002000	002000		002000	002000	002000	002000
34	• Screw, .25-20 x .875 LG HH SS	4		012491	012491	012491	012491	012491		012491	012491	012491	012491
42	Junction Box Assembly	1		005435	005435	N/A	N/A	N/A		005435	N/A	N/A	N/A
□	Rebuild Kit	1		018088	018088	018088	018087	018087		018088	018088	018087	018087

• Items included in Rebuild Kit.

□ Not shown in illustration.

### NOTES:

- 1) Strain relief (Item 24) can be purchased separately, but is included with cord, terminal & seal assembly (Item 29) and with seal, cord assembly (Item 25).
- 2) Mtr. Hsg., Brg., stator & term. (Item 9) are preassembled at the factory and must be replaced as a unit. Stator is permanently attached to the motor housing. Plug (Item 8); seal, thru wall term. (Item 7) and bearing - upper (Item 10) are replaceable.
- 3) When ordering motor housing, bearing, stator and term. (Item 9) or rotor (Item 11) specify either GE or emerson motor. GE motor can be identified by (4) holes spaced at 90° around the outside diameter of the stator. Emerson motor can be identified by (4) flat edges spaced at 90° around the outside diameter of the stator.
- 4) See FM0160 Parts Price Sheet for listing of parts prices.
- 5) "NA" indicates, not applicable.
- 6) If an "X" follows model No., or date Mfg. on brass ID tag, consult factory for ordering any parts.
- 7) When ordering dielectric oil (Item 14) for 115V Revision "A" pumps only, relay (Item 5) must be ordered.

### DATE CODE OF MANUFACTURE FROM 12/70 to 12/88

1st LETTER MONTH		2nd LETTER YEAR				
M --- JAN.	T --- JULY	A --- 1971	G --- 1977	O --- 1983		
N --- FEB.	U --- AUG.	B --- 1972	H --- 1978	P --- 1984		
O --- MARCH	V --- SEPT.	C --- 1973	I --- 1979	R --- 1985		
P --- APRIL	W --- OCT.	D --- 1974	J --- 1980	S --- 1986		
R --- MAY	X --- NOV.	E --- 1975	M --- 1981	T --- 1987		
S --- JUNE	Y --- DEC.	F --- 1976	N --- 1982	U --- 1988		

**NOTE:** Four digit (MMYY) date of mfg. used after June, 1988.  
IE: MMYY = 0192 = Jan. 1992.



MAIL TO: P.O. BOX 16347 • Louisville, KY 40256-0347  
SHIP TO: 3649 Cane Run Road • Louisville, KY 40211-1961  
(502) 778-2731 • 1 (800) 928-PUMP • FAX (502) 774-3624

Visit our website:  
[zoellerpumps.com](http://zoellerpumps.com)

Trusted. Tested. Tough.®

---

© Copyright 2019 Zoeller Co. All rights reserved.