

THE
SHARK[®]
Series

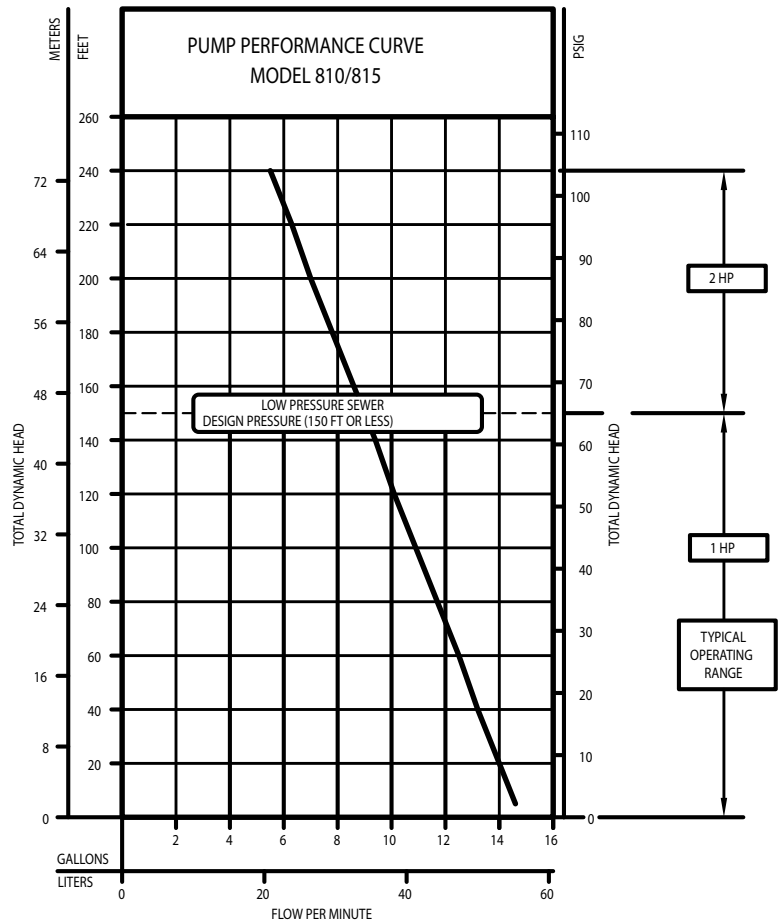
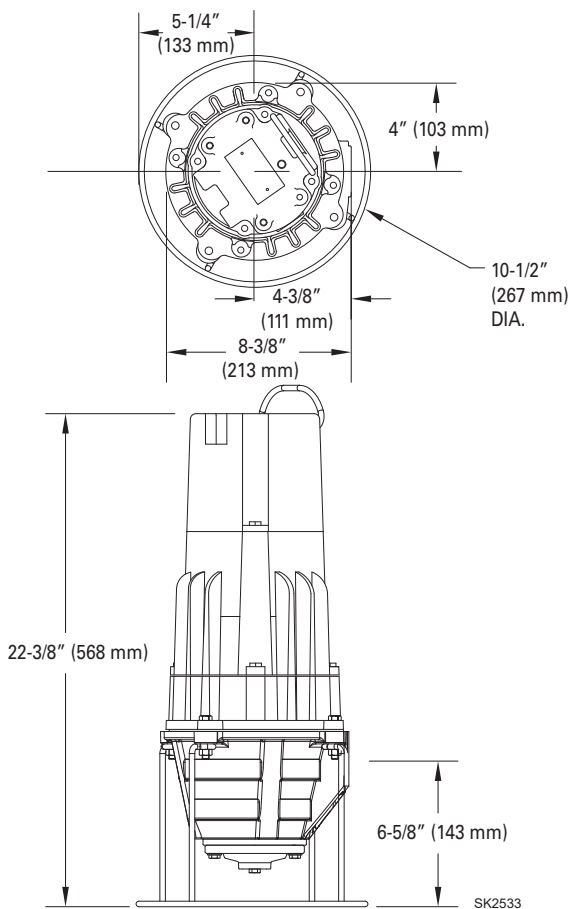
MODELS
810/815

Progressing
Cavity Pumps



Features:

- 230 Volt 1 phase
- 1.25" NPT discharge
- Tri-slice® cutter design provides superior grinding with sharper cutting edges
- Cutting plate decreases solids to less than 1/8"
- Buna-N hydraulic stator
- 1750 RPM
- Durable, epoxy coated cast iron construction
- Oil filled motor
- Carbon ceramic shaft seal with superior protection from debris
- Buna-N elastomers
- 304 stainless steel hardware
- NSF/ANSI 46
- Integral relief valve for added pump and motor protection
- 100% computerized water tested



018330

CSA
Certified to CSA
Standard C22.2
No. 108.

NSF/ANSI 46

**POWDER
TOUGH
COATED**

**Submersible Wastewater
Pump Association
SWPA
MEMBER**

FM3451
0224
Supersedes
0123