

SERIES 160/4160

Commercial Sump
and Effluent Pumps



HIGH HEAD FLOW-MATE

Effluent or dewatering submersible pump for septic systems, low pressure pipe (LPP and enhanced flow STEP systems).

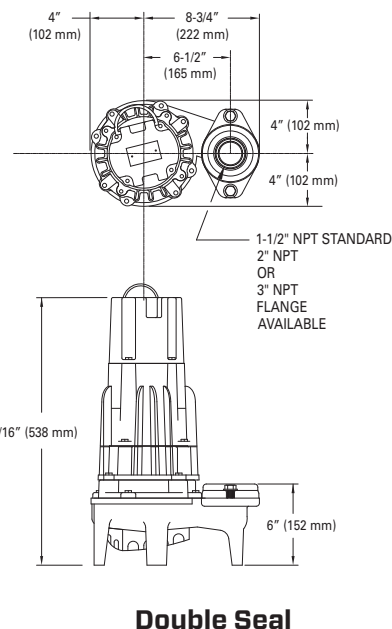
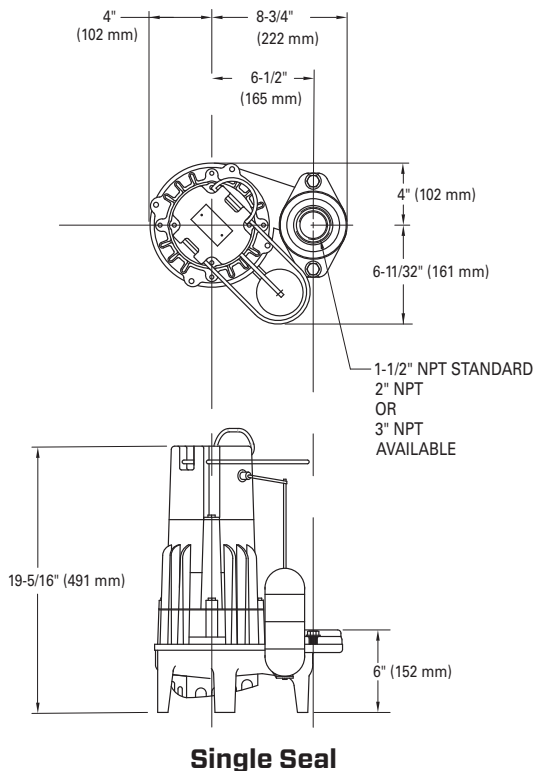
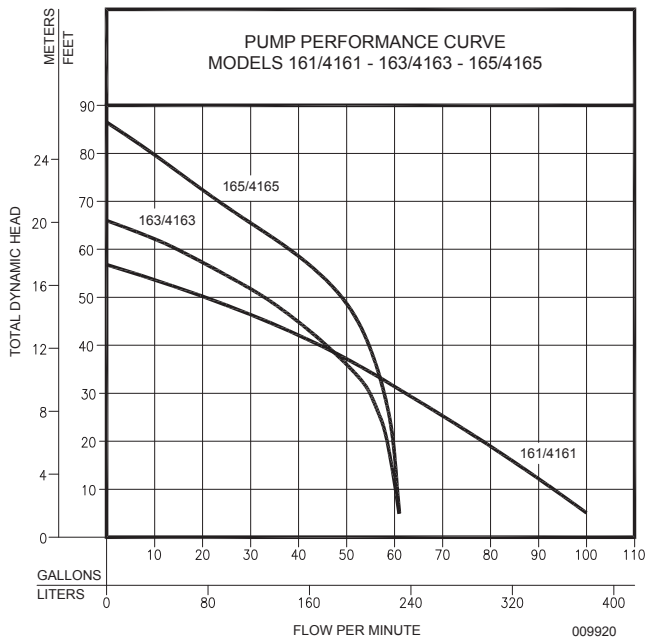


Zoeller Family of Water Solutions™

Copyright Zoeller Co. All rights reserved.

Features:

- Durable, cast iron constructed switch case, base, motor and pump housing
- Non-clogging vortex impeller design
- No screens to clog
- Automatic units available with float-operated, submersible, 2-pole mechanical switch
- Models 4161, 4163, 4165 double seal pumps available (60 Hz, non-automatic only)
- 1 year limited warranty
- cCSAus certification to UL 778 and CSA 108
- * Available in explosion & Dust-Ignition Proof for Hazardous Locations. (See FM 3407)



MOTOR	
Horse Power	1/2 (161/4161, 163/4163) or 1 (165/4165)
Voltage	115 - 575
Phase	1 or 3 Ph
Hertz	60 Hz
RPM	3450
Type	Permanent split capacitor or 3 Ph
Insulation	Class B
Amps	2.4 - 15.5
PUMP	
Operation	Automatic or nonautomatic
Auto On/Off Points	15-3/4" (400 mm) / 5-1/4" (133 mm)
Discharge Size	1-1/2" NPT (optional 2" or 3" flange)
Solids Handling	3/4" (19 mm) spherical solids
Cord Length	20' (6 m) standard
Cord Type	1 Ph: UL listed 3-wire neoprene cord and plug or 3 Ph: 4-wire with no plug
Max. Head	86.5' (26 m)
Max. Flow Rate	100 GPM (379 LPM)
Max. Operating Temp.	130 °F (54 °C)
Cooling	Oil filled
Motor Protection	Auto reset thermal overload (1 Ph)
MATERIALS	
Upper Bearing	Ball bearing
Lower Bearing	Ball bearing
Mechanical Seals	Carbon and ceramic
Impeller Type	Non-clogging vortex
Impeller	Cast iron
Hardware	Stainless steel
Motor Shaft	SAE 1117 carbon steel or 416 stainless steel*
Gasket	Neoprene square ring and gasket

* no molded plug (1) cCSAus approved unit available with 20 Amp plug.
(2) CSA approved unit with 15 Amp plug.

Additional cords lengths are available in 25' (8 m), 35' (11 m), and 50' (15 m).



FM3406
0224
Supersedes
0123