



## **MODELS 51 & 142**

### Centrifugal Effluent Pumps

Effluent or dewatering submersible pumps  
for septic tank, low pressure pipe (LPP),  
and enhanced flow  
STEP systems



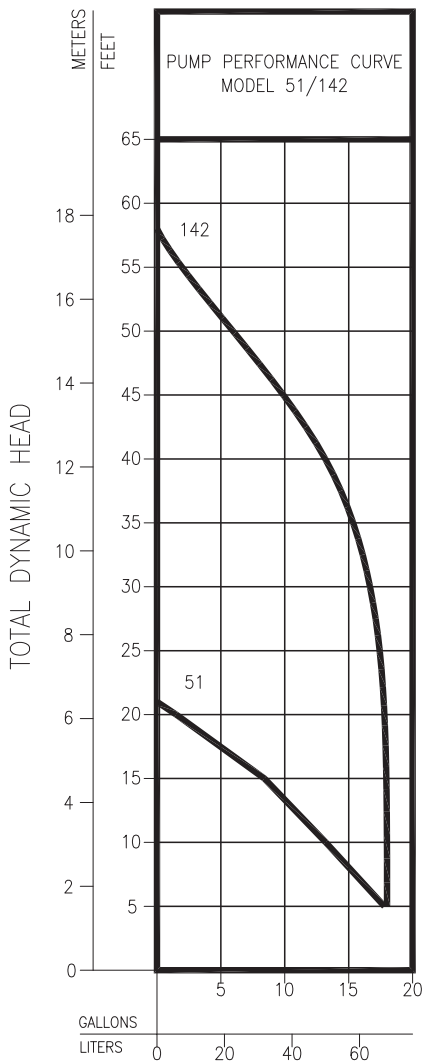
**Zoeller Family of Water Solutions™**

Copyright Zoeller Co. All rights reserved.

## Features:

- 115 V, 1 Ph
- Model 51 is .3 HP, 9.5 FLA
- Model 142 is 1 HP, 13.0 FLA
- Non-automatic (N) and automatic (BN) models available
- 1-1/2 NPT discharge
- Passes 1/2" spherical solids

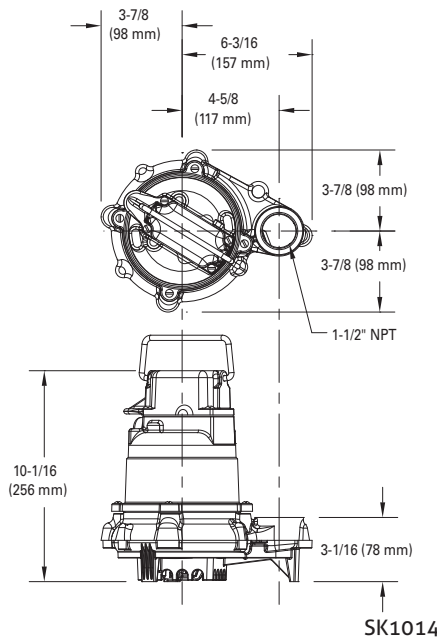
Standard Weight	27 lbs (51), 54 lbs (142)
Motor	0.3 HP (51), 1 HP (142)
Hertz	60 Hz
Volts	115 V
Phase	1 Ph
Amperage	9.5 A (51), 13.0 A (142)
Materials	Cast iron
Cord Length	15' (51) or 20' (142)
Cord Type	3-wire cord and plug



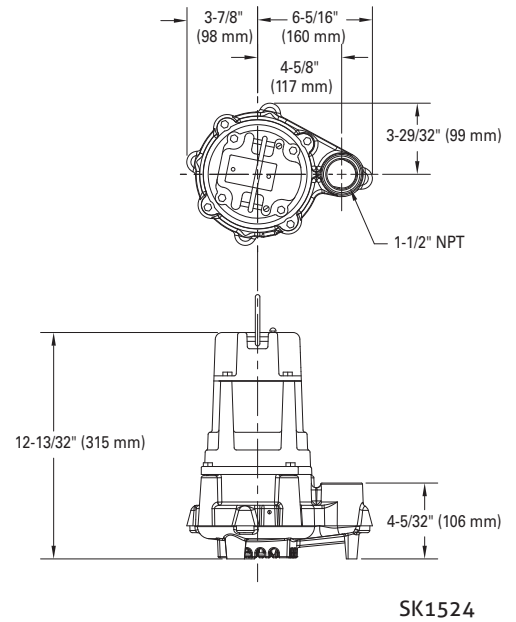
009962

Zoeller Pump Company submersible effluent pumps for septic tank, low pressure pipe (LPP), and enhanced flow STEP systems.

### Model 51



### Model 142



Products	
Part Number	Description
51-0002	115 V / 1 Ph Non-Automatic 51 Centrifugal Effluent Pump
51-0006	115 V / 1 Ph Automatic 51 Centrifugal Effluent Pump
142-0002	115 V / 1 Ph Non-Automatic 142 Centrifugal Effluent Pump
142-0006	115 V / 1 Ph Automatic 142 Centrifugal Effluent Pump

FM3341  
0224  
Supersedes  
0123