

Product information presented here reflects conditions at time of publication. Consult factory regarding discrepancies or inconsistencies.



MAIL TO: P.O. BOX 16347 • Louisville, KY 40256-0347  
SHIP TO: 3649 Cane Run Road • Louisville, KY 40211-1961  
TEL: (502) 778-2731 • 1 (800) 928-PUMP • FAX: (502) 774-3624

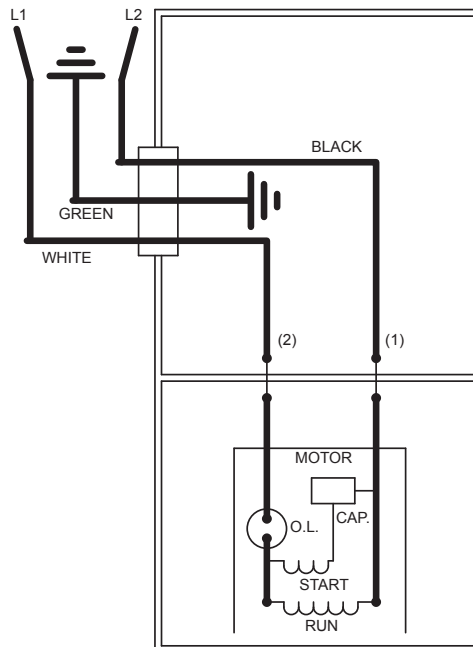
Visit our website:  
zoellerpumps.com

## REPLACEMENT PARTS LIST FOR MODELS:

**N372 NONAUTOMATIC 115V, E372 NONAUTOMATIC 230V**  
**N373 NONAUTOMATIC 115V, E373 NONAUTOMATIC 230V**

TO ORDER REPLACEMENT PARTS:  
PLEASE FURNISH THE FOLLOWING INFORMATION:

- Model Number.
- Part Number of Pump.
- Part Number and Description of part.



009059

WIRING DIAGRAM FOR MODELS  
N372, E372- All models  
N373, E373- All models

## REPLACEMENT PARTS LIST FOR MODEL "N372"

				MODEL:	N372-A
REF. NO.	DESCRIPTION	QTY.	NOTES	11/08thru Current	
1	• GASKET,CASE/COVER	1		034046	
2	• CLAMP,STRAIN RELIEF-#2F	1		004200	
3	• SEAL,CORD-ASM	1		004322	
4	• CORD TERM&SEAL 115V/20'/18-3 SJTW/15A PLUG	1		014530	
5	• SCREW,STATOR 8-32 X 2.13"LG	2		015133	
6	STATOR W-SCREWS 115V/1PH/.33HP/"151"	1		018183	
7	ROTOR & BEARING ASM 115/230V/1PH/.33HP/"151"	1		018184	
8	• SEAL,MTR HSG	1		034007	
9	BEARING, RADIAL	1		009540	
10	• OIL,DIELECTRIC-(30.5 OZ)	1		007051	
11	HOUSING,PUMP-MACH "151"	1		018202	
12	• SEAL ASM,SHAFT/.5"(JOHN CRANE TYPE 6A)/"140/270"	1		156361	
13	IMPELLER-PLASTIC "151"	1		015147	
14	BASE ASM "53/55"	1		002690	
15	COVER & HANDLE "97"	1		002580	
16	• PLUG,TEST-WHITE	2		034090	
17	• SCREW,#10-24 X.75 RHM-SL SS	16		001885	
18	• SCREW,#6-32X.25RHM SL TC	1		001877	
19	• SEAL,THRU WALL TERM	2		003402	
20	HOUSING,MTR- & TERM ASM "50"	1		004712	
☐	REBUILD KIT	1		156362	

### NOTES :

- 1) See FM0160 Parts Price Sheet for listing of parts prices.
- 2) "NA" indicates, not applicable.

## REPLACEMENT PARTS LIST FOR MODEL "E372"

				MODEL:	E372-A
REF. NO.	DESCRIPTION	QTY.	NOTES	11/08 thru Current	
1	• GASKET,CASE/COVER	1		034046	
2	• CLAMP,STRAIN RELIEF-#2F	1		004200	
3	• SEAL,CORD-ASM	1		014597	
4	• CORD TERM&SEAL 230V/20'/18-3 SOW/15A PLUG	1		014531	
5	• SCREW,STATOR 8-32 X 2.13"LG	2		015133	
6	STATOR W-SCREWS 230V/1PH/.33HP/"151"	1		018185	
7	ROTOR & BEARING ASM 115/230V/1PH/.33HP/"151"	1		018184	
8	• SEAL,MTR HSG	1		034007	
9	BEARING, RADIAL	1		009540	
10	• OIL,DIELECTRIC-(30.5 OZ)	1		007051	
11	HOUSING,PUMP-MACH "151"	1		018202	
12	• SEAL ASM,SHAFT/.5"(JOHN CRANE TYPE 6A)/"140/270"	1		156361	
13	IMPELLER-PLASTIC "151"	1		015147	
14	BASE ASM "53/55"	1		002690	
15	COVER & HANDLE "97"	1		002580	
16	• PLUG,TEST-WHITE	2		034090	
17	• SCREW,#10-24 X.75 RHM-SL SS	16		001885	
18	• SCREW,#6-32X.25RHM SL TC	1		001877	
19	• SEAL,THRU WALL TERM	2		003402	
20	HOUSING,MTR- & TERM ASM "50"	1		004712	
☐	REBUILD KIT	1		156363	

• Items included in Rebuild Kit.☐ Not shown in illustration. SEE NOTES AT RIGHT.

© Copyright 2021 Zoeller® Co. All rights reserved.

## REPLACEMENT PARTS LIST FOR MODEL "N373"

REF. NO.		DESCRIPTION	QTY.	MODEL: NOTES	N373-A	N373-B	E373-A	E373-B
					11/08 thru 12/20	01/21 thru Current	11/08 thru 12/20	01/21 thru Current
1	•	GASKET, CASE COVER	1		034046	034046	034046	034046
2	•	CLAMP, STRAIN RELIEF-RED	1		004200	004200	004200	004200
3	•	SEAL, CORD ASM	1		004322	004322	014597	014597
4		CORD TERM & SEAL 20'	1		014530	014530	014531	014531
5	•	SCREW, #8-32X2.563 RHPL-STLBO	2		001914	001914	001914	001914
6		STATOR W/SCREWS	1		018179	157310	018180	157311
7		ROTOR ASM 115/230V/1PH	1		018182	157312	018182	157312
8	•	SEAL, MOTOR HOUSING	1		034007	034007	034007	034007
9		BEARING, RADIAL	1		009540	009540	009540	009540
10	•	OIL, DIELECTRIC (30.5 OZ CAN)	1		007051	007051	007051	007051
11		HOUSING, PUMP-MACH	1		018202	018202	018202	018202
12	•	SEAL ASM	1		156361	156361	156361	156361
13		IMPELLER	1		013243	013243	013243	013243
14		BASE-MACH	1		154547	154547	154547	154547
15		COVER HANDLE	1		034067	034067	034067	034067
16	•	PLUG, TEST-WHITE	2		034090	034090	034090	034090
17	•	SCREW #10-24X.75 RHM-SI SS	16		001885	001885	001885	001885
18	•	SCREW #6-32X.25 RHM SI TC STLGR	1		001877	001877	001877	001877
19	•	SEAL, THRU-WALL TERM	2		003402	003402	003402	003402
20		HOUSING, MOTOR	1		004712	004712	004712	004712
□		REBUILD KIT	1		156364	156364	156365	156365

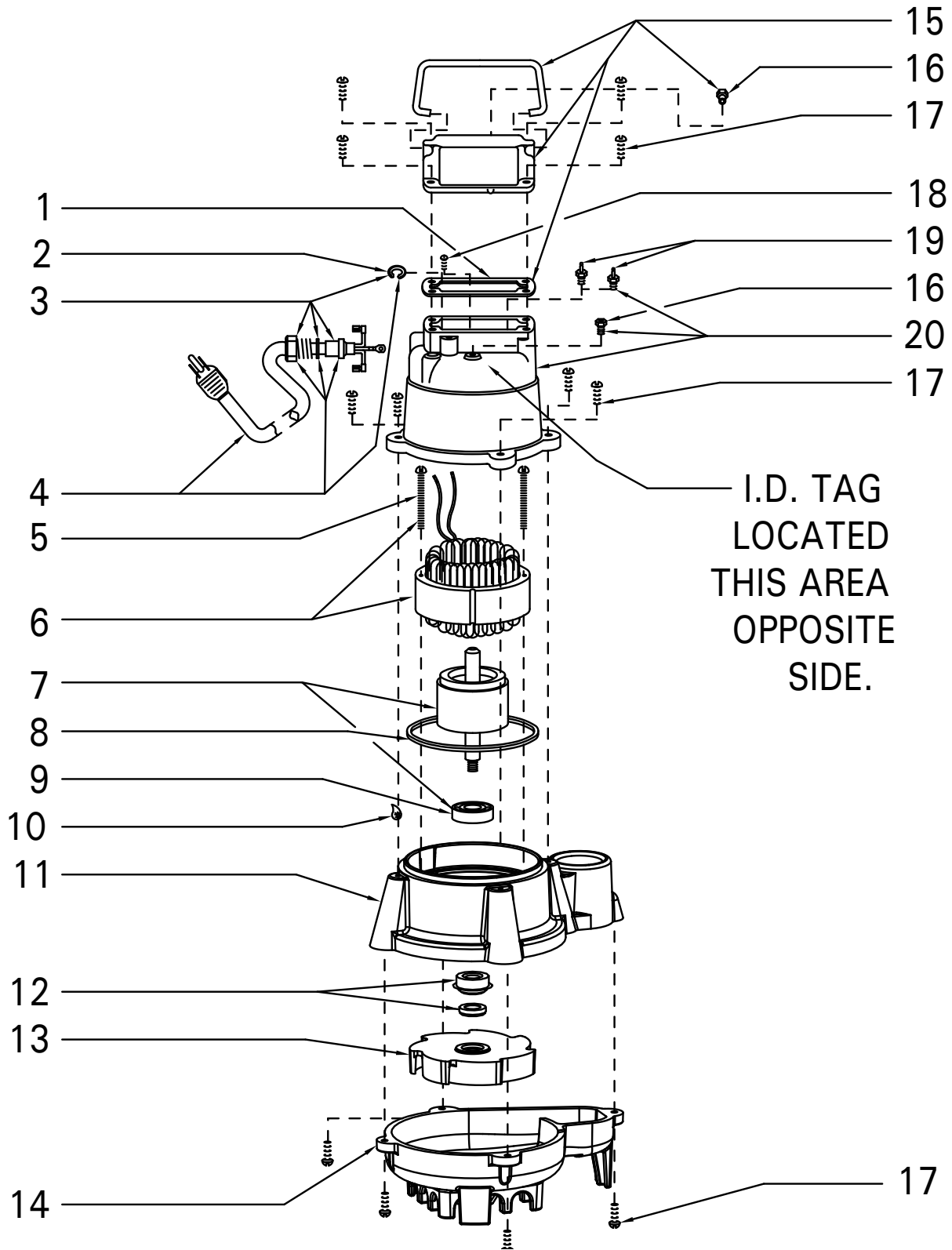
• Items included in Rebuild Kit.

□ Not shown on illustration.

### NOTES :

- 1) If an "X" follows model no., or date mfg. on ID tag, consult factory for ordering any parts. for listing of parts prices.
- 2) See FM0160 Parts Price Sheet for listing of part prices.
- 3) "N/A" indicates not applicable.

# REPLACEMENT PARTS ILLUSTRATION FOR ALL MODELS



SK3267