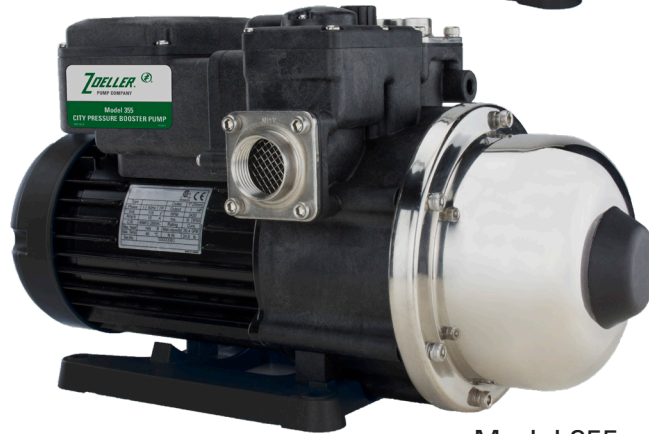


Model 350  
1/2 HP



Model 355  
1 HP

# Models 350/355

## CITY WATER BOOSTER PUMPS

More pressure where you want it, when you need it!



**Zoeller Family of Water Solutions™**

Copyright Zoeller Co. All rights reserved.

## Features:

- All-in-one unit, consisting of pump, motor, stainless steel pressure tank and electronic controller
- Compact design and quiet operation make it suitable for many applications
- System has automatic built-in diagnostics to protect against:
  - Run Dry
  - Dead Head
  - Rapid Cycling
- Impeller constructed of stainless steel with stainless steel bearing and shaft sleeve
- 1 in. stainless steel inlet and outlet flanges
- Variable pressure based on demand

**1/2 and 1 HP , 115 V**

**Pressures to 112 PSI**

**Flow rates to 27 GPM**

## CITY WATER BOOSTER PUMP PERFORMANCE

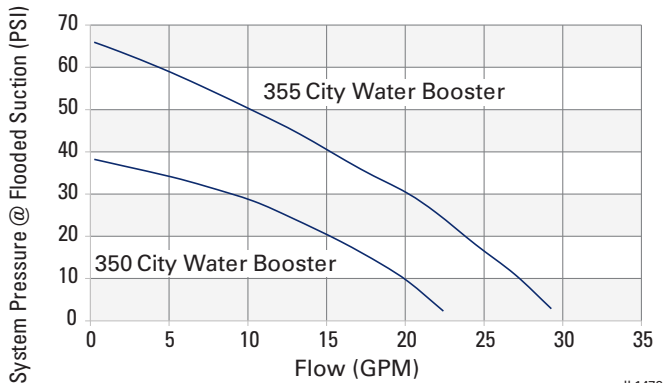
DO NOT EXCEED 30 PSI INCOMING PRESSURE

Inlet PSI	Model 350 System Pressure (PSI) at Flow Rates (GPM)							HP
	3	6	9	12	15	18	21	
10	43	36	35	31	26	-	-	1/2
20	53	46	45	41	36	-	-	
30	63	56	55	51	46	-	-	

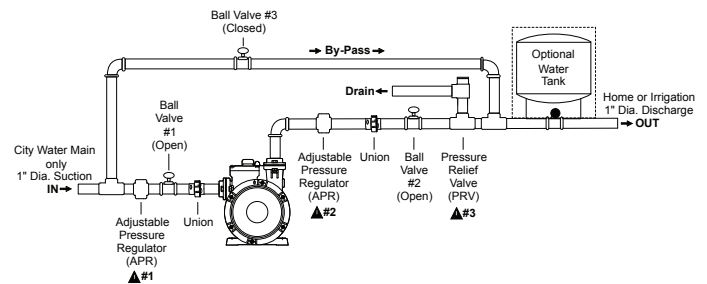
DO NOT EXCEED 50 PSI INCOMING PRESSURE

Inlet PSI	Model 355 System Pressure (PSI) at Flow Rates (GPM)							HP
	3	6	9	12	15	18	21	
10	72	67	61	56	50	45	39	1
20	82	77	71	66	60	55	49	
30	92	87	81	76	70	65	59	
40	102	97	91	86	80	75	69	
50	112	107	101	96	90	85	79	

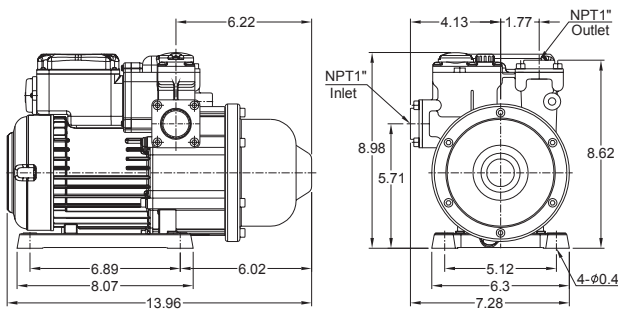
## PERFORMANCE CURVES



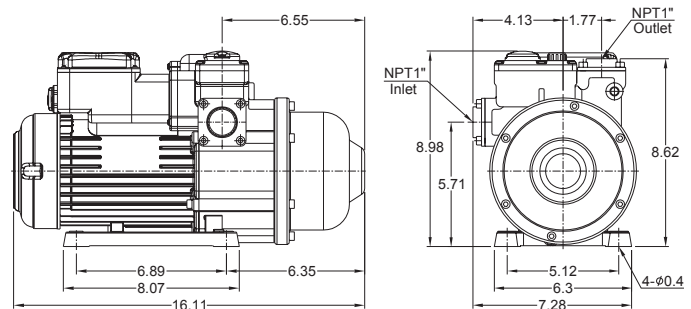
## TYPICAL INSTALLATION



## Outline / Dimensional Size



Model 350



Model 355

IL1212



FM3187  
0224  
Supersedes  
0123

**CAUTION** All installation of controls, protection devices and wiring should be done by a qualified licensed electrician. All electrical and safety codes should be followed including the most recent National Electrical Code (NEC) and the Occupational Safety and Health Act (OSHA).