



MODEL 95

Premium Sump Pump

Added features when it positively has to be the best.

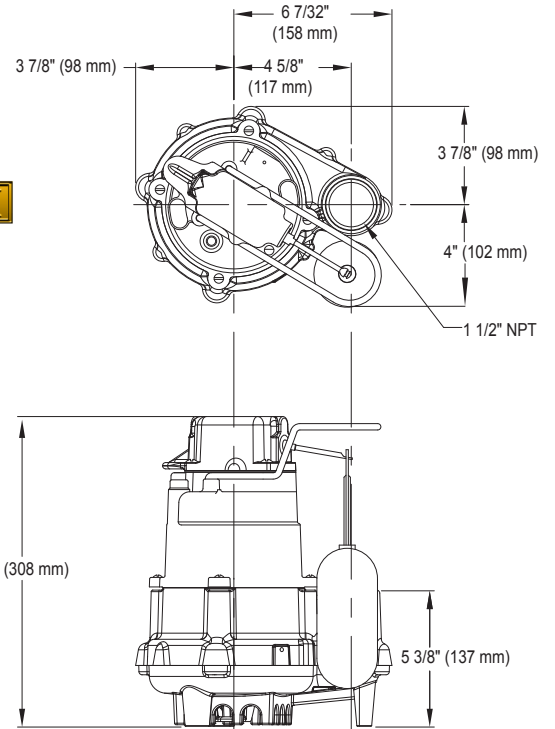


Zoeller Family of Water Solutions™

Copyright Zoeller Co. All rights reserved.

Features:

- 5-year warranty
- Advanced switch technology allowing longer switch life (available in automatic only)
- 1/2 HP Premium 115 V sump pump
- Performance up to 26' (7.9 m) TDH
- Flows up to 80 GPM (303 LPM)
- Green LED plug showing power to the pump
- Viton switch arm boot and heavy-duty rubber power cord for longevity and durability
- Corrosion-resistant, powder coated epoxy paint

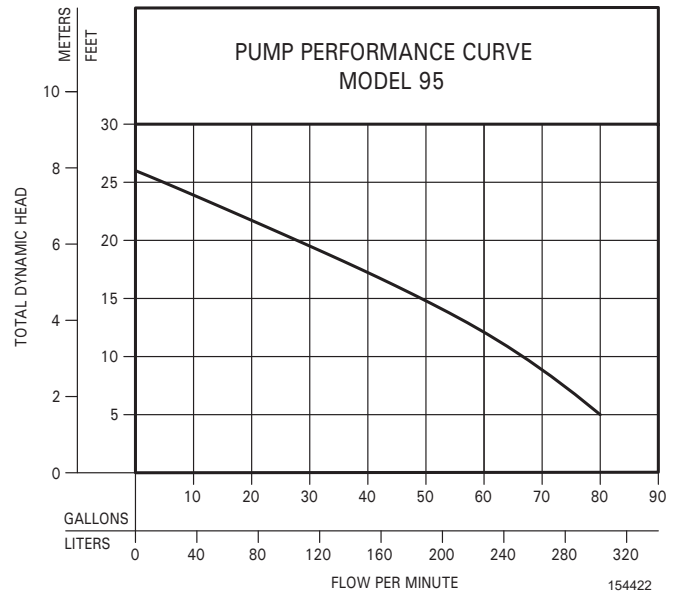


SK3129

100% factory tested

PRODUCT SPECIFICATIONS

MOTOR	Horse Power	1/2
	Voltage	115
	Phase	1 Ph
	Hertz	60 Hz
	RPM	3450
	Type	Permanent split capacitor
	Insulation	Class B
	Amps	10.5
PUMP	Operation	Automatic
	Auto On/Off Points	9-1/2" (24 cm) / 2-1/2" (6.4 cm)
	Discharge Size	1-1/2" NPT
	Solids Handling	1/2" (12 mm) spherical solids
	Cord Length	15' (4.6 m)
	Cord Type	UL listed, 3-wire, grounded plug
	Max. Head	26' (7.9 m)
	Max. Flow Rate	80 GPM (303 LPM)
	Max. Operating Temp.	130° F (54° C)
	Cooling	Oil filled
	Motor Protection	Auto reset thermal overload
MATERIALS	Cap	Cast iron
	Motor Housing	Cast iron
	Pump Housing	Cast iron
	Base	Cast iron
	Upper Bearing	Sleeve bearing
	Lower Bearing	Ball bearing
	Mechanical Seals	Carbon and ceramic
	Impeller Type	Non-clogging vortex
	Impeller	Engineered thermoplastic
	Hardware	Stainless steel
	Motor Shaft	AISI 1215 cold rolled steel
Gasket	Neoprene	





 C US

 Tested to Standard UL778 and

 Certified to CSA

 Standard C22.2 No. 108



 SSPMA



FM2991
0224
Supersedes
0123



All installation of controls, protection devices and wiring should be done by a qualified licensed electrician. All electrical and safety codes should be followed including the most recent National Electrical Code (NEC) and the Occupational Safety and Health Act (OSHA).