

MODELS 818/820



THE
SHARK
Series

GRIND AND PUMP
tough materials, including
disposable wipes, found
in today's wastewater
applications.



Grinder Pump Series

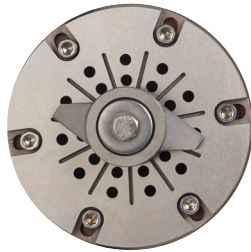
ZOELLER 
PUMP COMPANY

zoellerpumps.com | 800-928-7867 | 3649 Cane Run Rd., Louisville, KY 40211

Features:

- Dual blade, angled cutter design provides superior grinding with sharper cutting edges
- More torque delivered to each cutter blade
- Lowering amp spikes during demanding grinding cycles
- Cutting plate decreases solids to less than 1/8" (3 mm)
- Cool-run design incorporates an oil-filled motor with finned housings
- Automatic & non-automatic models
 - 1 HP: 115/200/230 Volt, 1 Phase
 - 2.0 HP: 200/230 Volt, 1 Phase
 - 1.0, 2.0 HP: 200/230/460 Volt 3 Phase

100% factory tested

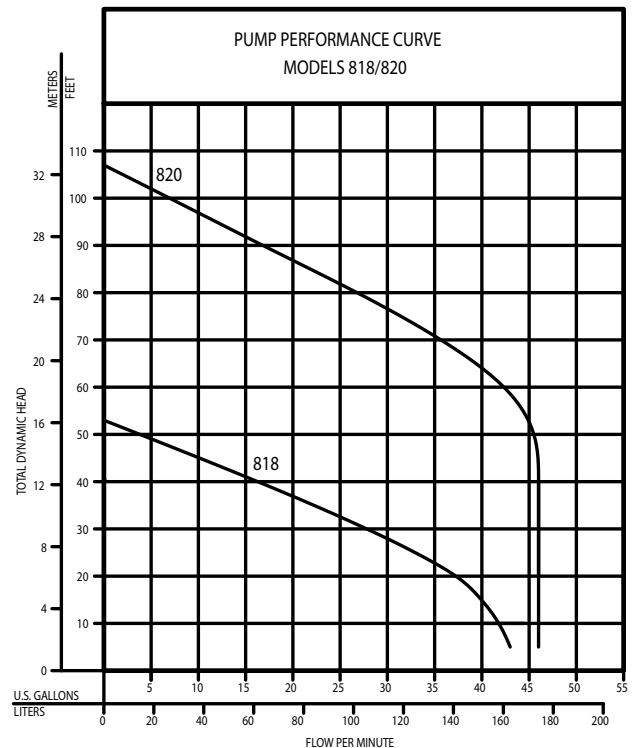
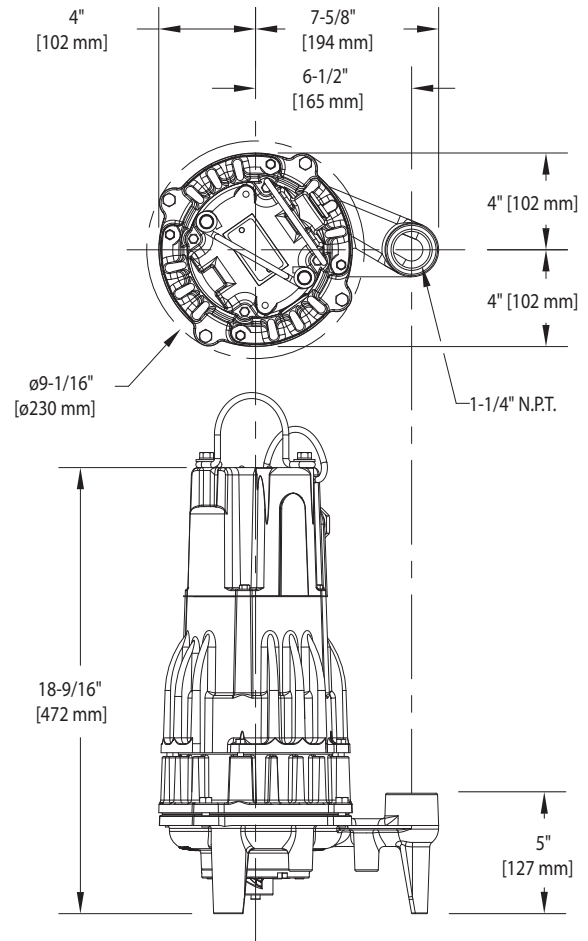


Grinder blade and cutting plate

PRODUCT SPECIFICATIONS

MOTOR	Horse Power	1.0 & 2.0
	Voltage	115* / 200 - 460
	Phase	1 Ph or 3 Ph
	Hertz	60 Hz
	RPM	3450
	Type	Capacitor start / capacitor run or 3 Ph
	Insulation	Class B
	Amps	2.7 - 15.5
	PUMP	Operation
Auto On / Off		Variable level float switch, customer sets
Discharge Size		1-1/4" NPT vertical discharge
Cord Length		20' (6 m) standard
Cord Type		SOOW multi-wire neoprene
Max. Head		107' (32.6 m)
Max. Flow Rate		46 GPM (174 LPM)
Max. Operating Temp.		130 °F (54 °C)
Cooling		Oil filled
Motor Protection	Auto reset thermal overload (1 Ph)	

*115 Volt model 818 only



Tested to Standard UL778 and Certified to CSA Standard C22.2 No. 108



FM2966
0823
Supersedes
0623



All installation of controls, protection devices and wiring should be done by a qualified licensed electrician. All electrical and safety codes should be followed including the most recent National Electrical Code (NEC) and the Occupational Safety and Health Act (OSHA).