



Turbine STEP Vaults

**Easily add a filtered pump chamber
without installing a new tank**



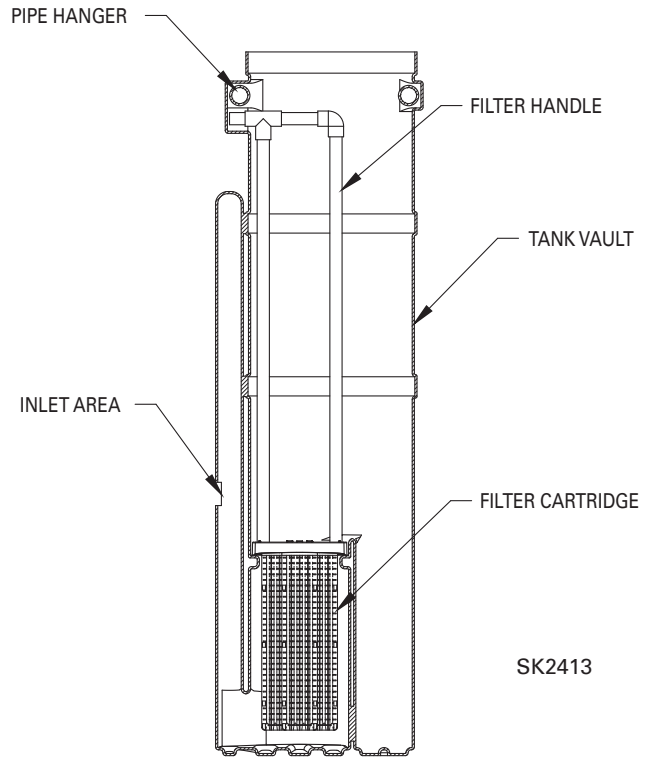
Turbine STEP Vaults

Features

- Vault heights from 51" to 120"
- All vaults fit in an 18" septic tank opening
- Preassembled packages with controls are available
- Accommodates 1/2 hp through 3 hp, 11 gpm through 85 gpm turbine pumps
- Vault inlet can be factory cut or field cut by the contractor
- Each turbine STEP vault includes a removable filter pack with a handle
- Incorporated filters screen solids to 1/16 inch

Zoeller Pump Company Turbine STEP Vaults include a filter pack with handle and are preassembled in the factory.

Filter Size: 1/16 Inch
 Filter Slot length: 924 Linear Feet
 Flow Rate: 7,000 GPD Max



Turbine STEP Vaults	
Part Number	Description
5041-0001	60" Factory cut, 2"x 5" inlet, 22.5" from bottom
5041-0002	60" Field cut
5041-0025	66" Field cut
5041-0026	72" Field cut
5041-0027	78" Field cut
5041-0028	84" Field cut
5041-0029	90" Field cut
5041-0030	96" Field cut
5041-0033	66" Factory cut, 2"x 5" inlet, 18" from bottom
5041-0034	51" Field cut
5041-0048	51" Factory cut, 2"x 5" inlet, 18" from bottom
5041-0049	120" Field cut
5041-0055	108" Factory cut, 2" x 5" inlet, 22.5" from bottom
5041-0056	108" Field cut

Product information presented here reflects conditions at time of publication. Consult factory regarding discrepancies or inconsistency.

© Copyright 2023 Zoeller® Co. All rights reserved.

CL1021
 1223
 Supersedes
 1023