

MAIL TO: P.O. BOX 16347 • Louisville, KY 40256-0347
 SHIP TO: 3649 Cane Run Road • Louisville, KY 40211-1961
 Tel: (502) 778-2731 • 1 (800) 928-PUMP

Visit our website:
 zoellerpumps.com

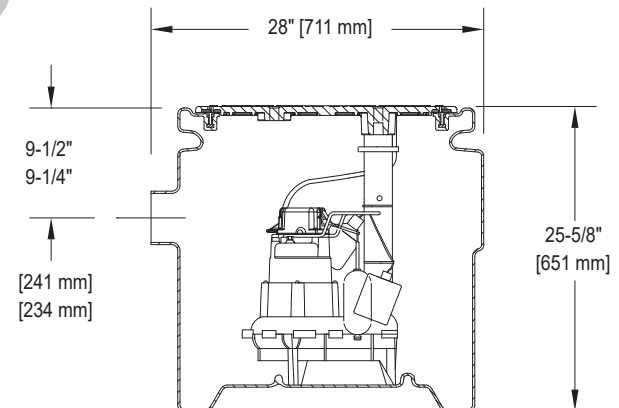
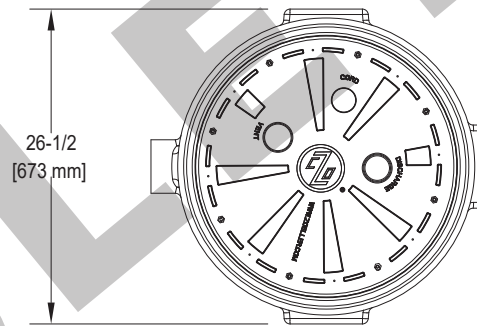
Product information presented here reflects conditions at time of publication. Consult factory regarding discrepancies or inconsistencies.

TECHNICAL DATA SHEET

912 PACKAGE SYSTEMS PREASSEMBLED SEWAGE SYSTEMS FOR FAST INSTALLATION.

PUMP SPECIFICATIONS

MOTOR	Voltage	115
	Phase	1
	Hertz	60
	RPM	1400 or 2800
	Type	Permanent split capacitor
	Insulation	Class B
	Amps	4.4 - 8.5
PUMP	Operation	Automatic
	Auto On / Off	Varies based on package
	Discharge Size	2" NPT
	Solids Handling	2" (50 mm) spherical solids
	Cord Length	20' (6 m) standard
	Max. Head	14' (4.3 m), 22' (6.7 m), 45.6' (13.9 m)
	Max. Flow Rate	92 GPM (20.9 m³/hr), 106 GPM (24 m³/hr), 149 GPM (33.8 m³/hr)
	Max. Operating Temp.	130 °F (54 °C)
	Cooling	Oil filled
	Motor Protection	Auto reset thermal overload
MATERIALS	Cap	Cast iron
	Motor Housing	Cast iron
	Pump Housing	Cast iron
	Base	Engineered plastic or cast iron
	Upper Bearing	Sleeve bearing
	Lower Bearing	Sleeve or ball bearing
	Mechanical Seals	Carbon/ceramic
	Impeller Type	Non-clogging vortex
	Impeller	Engineered plastic
	Hardware	Stainless steel
	Motor Shaft	1215 cold rolled steel, 1144 steel or JIS S45C steel
	Gasket	Neoprene



SK2694

24" x 24" (61 x 61 cm) shown, 18" x 30" (46 x 76 cm) and 24" x 36" (61 x 91 cm) also available.

BASIN SPECIFICATIONS

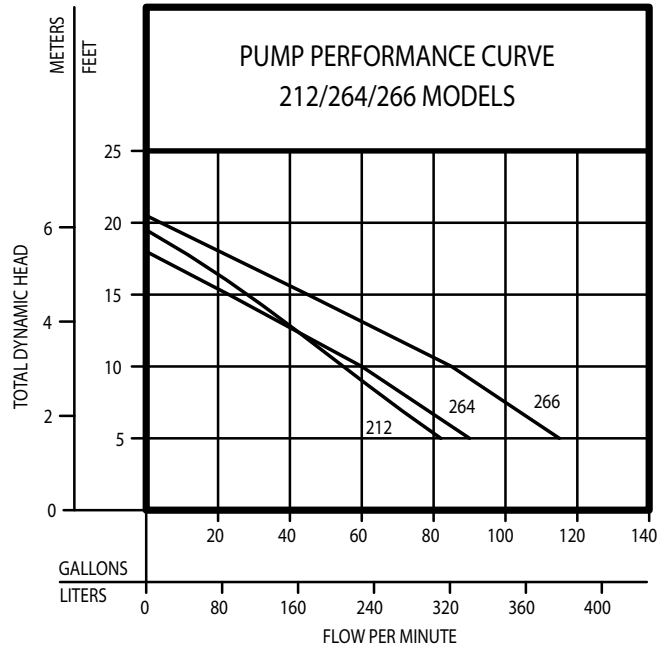
- Polyethylene basin
- Polyethylene structural foam cover with 2" vent and 2" discharge
- 41 gallon (155 liter) capacity
- Integral foam seal



WARNING These systems are not designed for hazardous environments. Please consult factory for special options and requirements.

TOTAL DYNAMIC HEAD FLOW PER MINUTE

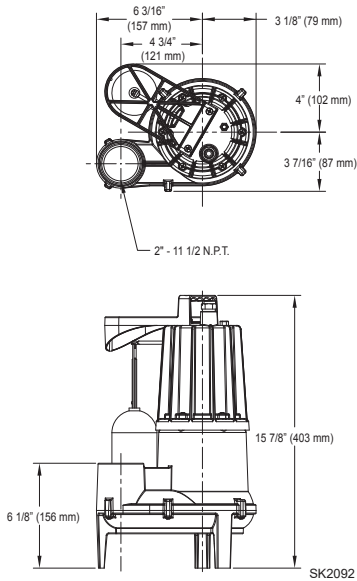
MODELS		212		264		266	
Feet	Meters	Gal.	Liters	Gal.	Liters	Gal.	Liters
5	1.5	82	310	90	341	115	435
10	3.0	53	201	60	227	85	322
15	4.6	32	121	23	87	45	170
Shut-off Head:		19.5 ft.(5.9m)		18 ft.(5.5m)		20.5 ft.(6.2m)	



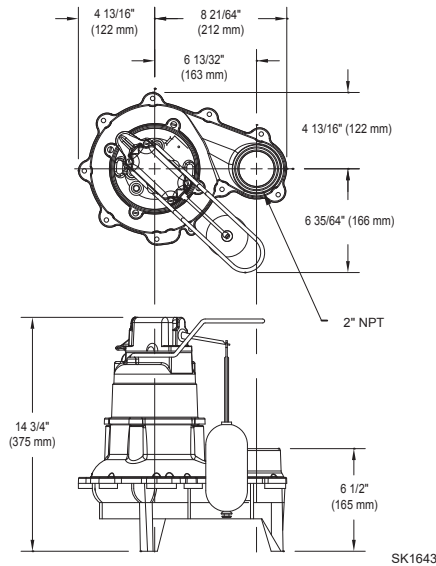
009969

CAUTION All installation of controls, protection devices and wiring should be done by a qualified licensed electrician. All electrical and safety codes should be followed including the most recent National Electrical Code (NEC) and the Occupational Safety and Health Act (OSHA).

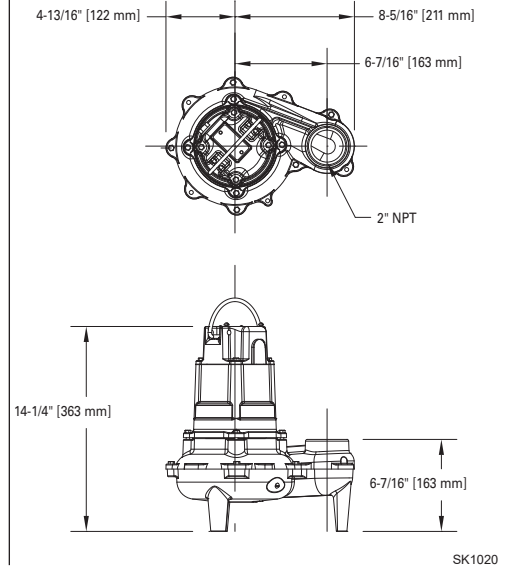
MODEL 211



MODEL 264



MODEL 266



See FM2787 (model 211), FM2788 (model 264), FM2789 (model 266) for complete pump specifications.

2" Vent P/N	Pump	Basin Type	Basin Size	Weight Lbs / Kg
912-0073	M211	PSF-Standard	18" X 30" (45.7 x 76.2 cm)	39 / 18
* 912-0112		Polyethylene	24" x 24" (61 x 61 cm)	50 / 23
* 912-1112		Polyethylene w/ Alarm	24" x 24" (61 x 61 cm)	54 / 24
912-0007	M264	PSF-Standard	18" X 30" (45.7 x 76.2 cm)	56 / 25
912-1007		PSF-Standard w/ Alarm	18" X 30" (45.7 x 76.2 cm)	59 / 27
912-0069		Polyethylene-w/ Integral Side Vent	18" X 30" (45.7 x 76.2 cm)	50 / 23
* 912-0114		Polyethylene	24" x 24" (61 x 61 cm)	73 / 33
* 912-1114		Polyethylene w/ Alarm	24" x 24" (61 x 61 cm)	75 / 34
* 912-0078		PSF-Deluxe	24" X 36" (61 x 91.4 cm)	82 / 37
912-0005	BN264 with Piggyback Variable Level Float Switch	PSF-Standard	18" X 30" (45.7 x 76.2 cm)	56 / 25
912-1005		PSF-Standard w/ Alarm	18" X 30" (45.7 x 76.2 cm)	59 / 27
912-0055		Polyethylene w/ Integral Side Vent	18" X 30" (45.7 x 76.2 cm)	50 / 23
912-1055		Polyethylene w/ Integral Side Vent w/ Alarm	18" X 30" (45.7 x 76.2 cm)	53 / 24
912-1087		Premium PSF w/ AFD & Alarm	18" X 30" (45.7 x 76.2 cm)	67 / 30
* 912-0115		Polyethylene	24" x 24" (61 x 61 cm)	73 / 33
* 912-1115		Polyethylene w/ Alarm	24" x 24" (61 x 61 cm)	75 / 34
912-0010	M266	PSF-Standard	18" X 30" (45.7 x 76.2 cm)	61 / 28
912-1010		PSF-Standard w/ Alarm	18" X 30" (45.7 x 76.2 cm)	64 / 29
912-0070		Polyethylene-w/ Integral Side Vent	18" X 30" (45.7 x 76.2 cm)	55 / 25
* 912-0116		Polyethylene	24" x 24" (61 x 61 cm)	76 / 34
* 912-1116		Polyethylene w/ Alarm	24" x 24" (61 x 61 cm)	78 / 35
912-0017	BN266 with Piggyback Variable Level Float Switch	PSF-Standard	18" X 30" (45.7 x 76.2 cm)	61 / 28
912-1017		PSF-Standard w/ Alarm	18" X 30" (45.7 x 76.2 cm)	64 / 29
** 912-0020		Fiberglass-10' (3 m) stack, LA code	18" X 30" (45.7 x 76.2 cm)	79 / 36
912-0067		PSF-Deluxe	18" X 30" (45.7 x 76.2 cm)	64 / 29
912-1067		PSF-Deluxe w/ Alarm	18" X 30" (45.7 x 76.2 cm)	67 / 30
* 912-0117		Polyethylene	24" x 24" (61 x 61 cm)	76 / 34
* 912-1117		Polyethylene w/ Alarm	24" x 24" (61 x 61 cm)	78 / 35

PSF: Polyethylene structural foam AFD: Anti-flotation device Standard: includes a rubber inlet grommet Deluxe: includes a plastic inlet combo hub Premium: includes a split cover and AFD
* 24" x 24" (61 x 61 cm) and 24" X 36" (61 x 91.4 cm) shipped individually ** 4" Cast Iron Hub on LA Code Systems

Side Discharge Basins P/N	Pump	Basin Type	Basin Size	Weight Lbs / Kg
912-0082	M264	PSF	18" X 30" (45.7 x 76.2 cm)	61 / 28
912-1082		PSF w/ Alarm	18" X 30" (45.7 x 76.2 cm)	66 / 30
912-0083	BN264 w/ Piggyback Variable Level Float Switch	PSF	18" X 30" (45.7 x 76.2 cm)	62 / 28
912-1083		PSF w/ Alarm	18" X 30" (45.7 x 76.2 cm)	67 / 30
912-0084	M266	PSF	18" X 30" (45.7 x 76.2 cm)	62 / 28
912-1084		PSF w/ Alarm	18" X 30" (45.7 x 76.2 cm)	67 / 30
912-0085	BN266 w/ Piggyback Variable Level Float Switch	PSF	18" X 30" (45.7 x 76.2 cm)	63 / 29
912-1085		PSF w/ Alarm	18" X 30" (45.7 x 76.2 cm)	68 / 30
912-0093		Premium PSF w/ AFD	18" X 30" (45.7 x 76.2 cm)	73 / 33
912-1093		Premium PSF w/ AFD & Alarm	18" X 30" (45.7 x 76.2 cm)	77 / 35

PSF: Polyethylene structural foam AFD: Anti-flotation device Standard: includes a rubber inlet grommet Deluxe: includes a plastic inlet combo hub Premium: includes a split cover and AFD

PACKAGING

18" x 30" (45.7 x 76.2 cm) simplex systems are shipped four units to a skid. 24" x 36" (61 x 91.4 cm) are shipped individually. All units are properly secured with a 2" (DN 50) PVC discharge pipe in the basins to avoid shifting or upsetting the pump and switch mechanism. Float switch is secured with tape that is easily removed through the inlet hub opening. Premium basins have torque stops for prevention of shipping damage to the pump. All other systems are packaged with environment-safe peanuts that are water soluble - no need to remove.

SYSTEMS INCLUDE

- 2" (50 mm) solids handling pump
- 2" (50 mm) PVC discharge pipe, 30" (76 cm) long (24" [61 cm] long on 24" X 24" [61 x 61 cm]) and (36" [91.4 cm] long on 24" X 36" [61 x 91 cm])
- Basins - polyethylene, poly-foam or fiberglass construction with poly or solid steel covers and 4" pipe seal hub, 4" PVC hub (deluxe) or 4" cast iron hub on L.A. Code Systems
- Check valve options - 30-0151, 30-0020, 30-0021, 30-0101 or 30-0103 (not included)
- Systems available with alarms and preinstalled alarm float
- Premium indoor systems have a split cover for easy pump inspection, torque stops and an anti-flotation device
- Side discharge systems rated for outdoor burial: solid polyethylene structural foam lid and basin with 2" discharge on side
- 3/16" (5 mm) vent hole drilled
- (1) 2" (50 mm) solids sewage ejector
- (1) 24" x 24" (61 x 61 cm) poly molded basin
- (1) PSF cover with 2V2D

© Copyright 2023 Zoeller® Co. All rights reserved.

502-778-2731 | 800-928-7867 | 3649 Cane Run Road | Louisville, KY 40211-1961 | zoellerpumps.com



MAIL TO: P.O. BOX 16347 • Louisville, KY 40256-0347
SHIP TO: 3649 Cane Run Road • Louisville, KY 40211-1961
Tel: (502) 778-2731 • 1 (800) 928-PUMP

Trusted. Tested. Tough.®

Visit our website:
zoellerpumps.com