

MAIL TO: P.O. BOX 16347 • Louisville, KY 40256-0347
 SHIP TO: 3649 Cane Run Road • Louisville, KY 40211-1961
 Tel: (502) 778-2731 • 1 (800) 928-PUMP

Visit our website:
 zoellerpumps.com

Product information presented here reflects conditions at time of publication. Consult factory regarding discrepancies or inconsistencies.

TECHNICAL DATA SHEET

HIGH HEAD WASTE-MATE SERIES

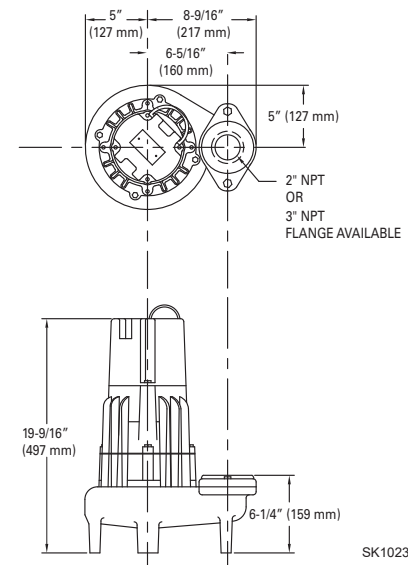
Models 282, 284/4284

Submersible Sewage Pumps

PRODUCT SPECIFICATIONS

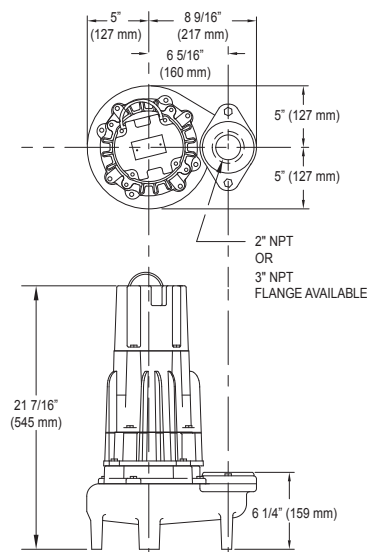
MOTOR	Horse Power	1/2 (282) or 1 (284/4284)
	Voltage	115 - 460
	Phase	1 or 3 Ph
	Hertz	60 Hz
	RPM	1750
	Type	Permanent split capacitor or 3 Ph
	Insulation	Class B
	Amps	1.7 - 10.3
PUMP	Operation	Automatic or nonautomatic
	Auto On/Off Points	16-1/2" (40.6 cm) / 5-1/4" (13 cm)
	Discharge Size	2" or 3" NPT female, flanged vertical
	Solids Handling	2" (50 mm) spherical solids
	Cord Length	10' (3 m) automatic, 15' (5 m) nonautomatic
	Cord Type	1 Ph-UL listed 3-wire neoprene cord and plug 3 Ph-4 wire with no plug
	Max. Head	35' (10.7 m)
	Max. Flow Rate	179 GPM (678 LPM)
	Max. Operating Temp.	130 °F (54 °C)
	Cooling	Oil filled
Motor Protection	Auto reset thermal overload (1 Ph)	
MATERIALS	Upper Bearing	Ball bearing
	Lower Bearing	Ball bearing
	Mechanical Seals	Carbon and ceramic
	Impeller Type	Non-clogging vortex
	Impeller	Cast iron
	Hardware	Stainless steel
	Gasket	Neoprene square ring and gasket

SINGLE SEAL



SK1023

DOUBLE SEAL



SK1414

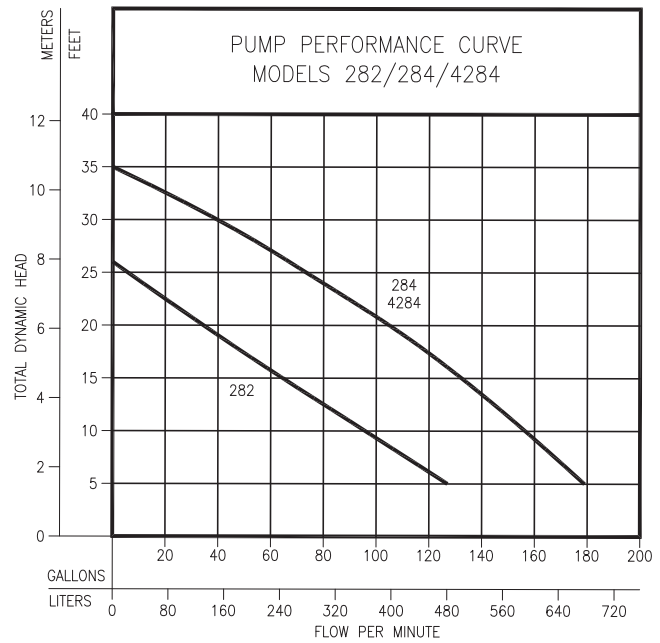
*Single seal models are built with a carbon steel motor shaft, and double seal models are built with a stainless steel motor shaft.

NOTE: The sizing of effluent systems normally requires variable level float(s) controls and properly sized basins to achieve required pumping cycles or dosing timers with nonautomatic pumps.



TOTAL DYNAMIC HEAD FLOW PER MINUTE

MODELS		282		284/4284	
Feet	Meters	Gal.	Liters	Gal.	Liters
5	1.5	127	481	179	678
10	3.0	96	363	157	594
15	4.6	64	242	133	503
20	6.1	34	129	106	401
25	7.6	6	23	73	276
30	9.1	--	--	42	159
Shut-off Head		26 ft. (7.9m)		35 ft. (10.7m)	



009927

Model	MODEL COMPARISON											CERTIFICATIONS
	Seal	Mode	Volts	Ph	Amps	HP	Hz	Lbs	Kg	Simplex	Duplex	cCSAus
M282	Single	Auto	115	1	10.3	1/2	60	82	37	1	---	Y
N282	Single	Non	115	1	10.3	1/2	60	82 / 88	37 / 40	2 or 3	3	Y
BN282	Single	Auto	115	1	10.3	1/2	60	83	38	---	---	Y
D282	Single	Auto	230	1	5.0	1/2	60	82	37	1	---	Y
E282	Single	Non	230	1	5.0	1/2	60	82 / 88	37 / 40	2 or 3	3	Y
* H282	Single	Auto	200	1	6.1	1/2	60	82	37	1	---	Y
* I282	Single	Non	200	1	6.1	1/2	60	82 / 88	37 / 40	3	3	Y
BE282	Single	Auto	230	1	5.0	1/2	60	83	38	---	---	Y
D284	Single	Auto	230	1	8.9	1	60	85	39	1	---	Y
E284/E4284	Single / Dbl	Non	230	1	8.9	1	60	85 / 91	39 / 41	2 or 3	3	Y
* H284	Single	Auto	200	1	9.3	1	60	85	39	1	---	Y
* I284/I4284	Single / Dbl	Non	200	1	9.3	1	60	85 / 91	39 / 41	3	3	Y
* J284/J4284	Single / Dbl	Non	200	3	5.5	1	60	85 / 91	39 / 41	3	3	Y
* F284/F4284	Single / Dbl	Non	230	3	5.0	1	60	85 / 91	39 / 41	3	3	Y
BE284	Single	Auto	230	1	8.9	1	60	85	39	---	---	Y
* CF284	Single	Auto	230	3	5.0	1	60	85	39	1	---	N
* G284/G4284	Single / Dbl	Non	460	3	2.6	1	60	85 / 91	39 / 41	3	3	Y

* no molded plug Additional cord lengths are available in 15' (5 m), 25' (8 m), 35' (11 m) and 50' (15 m).

SELECTION GUIDE

1. Integral float-operated mechanical switch, no external control required.
2. For automatic use single piggyback variable level float switch or double piggyback variable level float switch. Refer to FM0477.
3. See FM3459 for correct model of simplex or duplex control panel.
4. Variable level control switch 10-0743 used as a control activator, specify simplex (3) float or duplex (4) float system. Refer to FM0526.



All installation of controls, protection devices and wiring should be done by a qualified licensed electrician. All electrical and safety codes should be followed including the most recent National Electrical Code (NEC) and the Occupational Safety and Health Act (OSHA).

© Copyright 2023 Zoeller® Co. All rights reserved.

502-778-2731 | 800-928-7867 | 3649 Cane Run Road | Louisville, KY 40211-1961 | zoellerpumps.com