



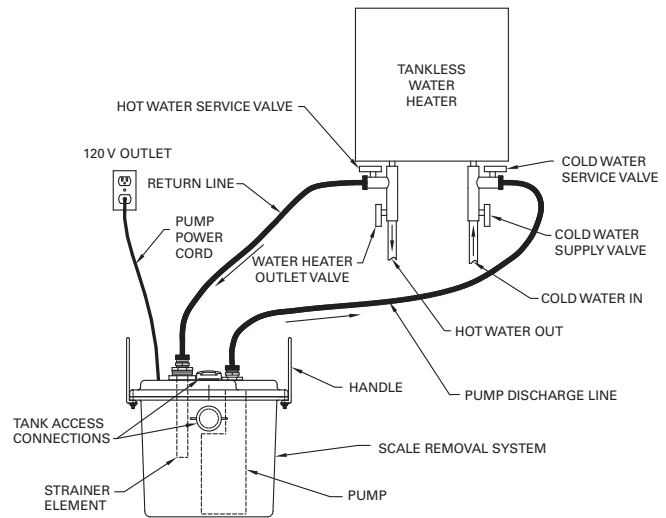
Product information presented here reflects conditions at time of publication. Consult factory regarding discrepancies or inconsistencies.

## INSTALLATION INSTRUCTIONS PREINSTALLATION CHECKLIST

Patent No.  
9,228,575

**SRS**® SCALE  
REMOVAL  
SYSTEM

Water heater connections may vary. Consult appliance owner's manual for actual connection locations. Do not use system for drinking/potable water applications. Use only to flush system per instructions. (System not intended for permanent connection applications)



SK2793

P/N 152644

### Flushing/Descaling Procedures

- Follow and understand all safety related information provided with the tankless water heater as well as the flushing system before starting the flushing operation. Wear appropriate safety apparel including safety glasses and rubber gloves. Inspect all hoses and electrical cords for any kinks, cuts, etc. that could result in an electrical shock hazard or fluid leakage. Replace any worn or damaged components. Consult appliance instruction manual for complete flushing instructions.
- Disconnect power to the tankless water heater, following the instructions provided with the appliance.
- Drain the water heater following the instructions provided with the appliance.
- Close the Cold Water Supply Valve and Water Heater Outlet Valve, isolating the heat exchanger.
- Connect a hose (supplied with the system) from the fitting labeled "Pump Discharge" on top of the Flushing System to the Service Valve on the Cold Water Supply side of the water heater.
- Connect a hose (supplied with the system) from the fitting labeled "Return" on top of the Flushing System to the Service Valve on the Hot Water outlet side of the water heater.
- Remove the black threaded cap on top of the system and add no more than 2 gallons of virgin food grade white vinegar to the tank. Replace the threaded cap. Make sure the included o-ring is properly seated in the cap to provide a leak proof seal.
- Open the Hot and Cold Service Valves to the water heater heat exchanger.
- Plug Power Cord from the Flushing System Pump to a properly grounded electrical receptacle. Never allow the pump to run without adequate liquid in the tank or possible damage to the pump may occur.
- Allow the pump to circulate the vinegar solution for at least 45 minutes or per the appliance manufacturer's recommendation (consult appliance instruction manual). Monitor the system for leaks or any peculiar behavior. Unplug the power cord if the pump stops, an external leak develops, or the flow is greatly reduced.
- After the required time expires, unplug the power cord from the receptacle.
- Close the Service Valve on the Cold Water Supply line and disconnect the hose end from the Service Valve.
- Disconnect the hose end from the Flushing System "Return" Line Connection and route it to a suitable drain or to a bucket. Connect an extra length of hose if necessary.
- Open the Cold Water Supply Valve to flush the water heater with fresh water, rinsing out the cleaning solution. Let the system flush for 5 minutes or as required per the appliance instructions. Monitor the discharge from the hose. If using a bucket, empty as needed.
- After the required time expires, close the Hot Water Service Valve and disconnect the hose.
- Open the Hot Water Supply Valve.
- Turn nearest cold water faucet on for 30 seconds to flush system thoroughly.
- Restore power to the heater system and return it to service.

### After completing the flushing operation:

- Discard the contents of the Flushing System by removing the threaded cap from one of the tank access connections on the top or side of the tank. Pour the contents into a suitable drain.
- Remove the Return fitting from the top of the tank to access the strainer assembly. The strainer element is connected to the fitting with a hose clamp. Loosen the clamp to remove the strainer. Discard the contents of the strainer and rinse away any remaining particles. Inspect the strainer for any tears or damage. Replace the strainer as needed. Order P/N 150786. Re-assemble the strainer to the fitting assembly and tighten clamp.
- Replace the fitting assembly into the cover of the tank.
- Add approximately one gallon of fresh water to the tank. Connect a hose to the Pump Discharge connection and route to a suitable drain. Plug in the pump to flush the vinegar solution out of the pump. Pour any remaining liquid from the tank and replace threaded caps.
- Store the pump system in an appropriate location to prevent damage by impact and temperature extremes.

## LIMITED WARRANTY

Manufacturer warrants, to the purchaser and subsequent owner during the warranty period, every new product to be free from defects in material and workmanship under normal use and service, when properly used and maintained, for a period of one year from date of purchase. Proof of purchase is required. Parts that fail within the warranty period that inspections determine to be defective in material or workmanship will be repaired, replaced or remanufactured at Manufacturer's option, provided however, that by so doing we will not be obligated to replace an entire assembly, the entire mechanism or the complete unit. No allowance will be made for shipping charges, damages, labor or other charges that may occur due to product failure, repair or replacement.

This warranty does not apply to and there shall be no warranty for any material or product that has been disassembled without prior approval of Manufacturer, subjected to misuse, misapplication, neglect, alteration, accident or uncontrollable act of nature; that has not been installed, operated or maintained in accordance with Manufacturer's installation instructions; that has been exposed to outside substances including but not limited to the following: sand, gravel, cement, mud, tar, hydrocarbons, hydrocarbon derivatives (oil, gasoline, solvents, etc.), or other abrasive or corrosive substances, wash towels or feminine sanitary products,

etc. in all pumping applications. The warranty set out in the paragraph above is in lieu of all other warranties expressed or implied; and we do not authorize any representative or other person to assume for us any other liability in connection with our products.

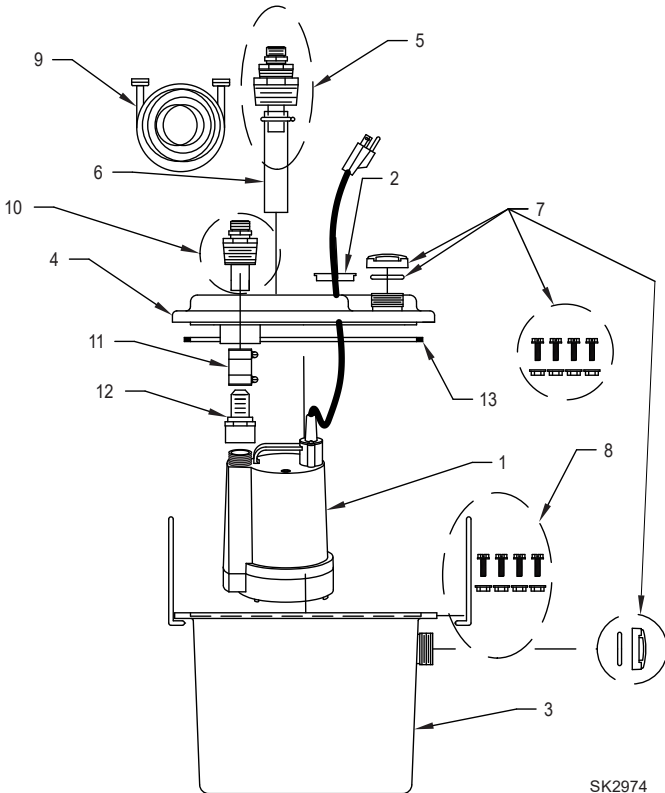
Contact Manufacturer at 3649 Cane Run Road, Louisville, Kentucky 40211, Attention: Customer Support Department to obtain any needed repair or replacement of part(s) or additional information pertaining to our warranty.

**MANUFACTURER EXPRESSLY DISCLAIMS LIABILITY FOR SPECIAL, CONSEQUENTIAL OR INCIDENTAL DAMAGES OR BREACH OF EXPRESSED OR IMPLIED WARRANTY; AND ANY IMPLIED WARRANTY OF FITNESS FOR A PARTICULAR PURPOSE AND OF MERCHANTABILITY SHALL BE LIMITED TO THE DURATION OF THE EXPRESSED WARRANTY.**

Some states do not allow limitations on the duration of an implied warranty, so the above limitation may not apply to you. Some states do not allow the exclusion or limitation of incidental or consequential damages, so the above limitation or exclusion may not apply to you.

This warranty gives you specific legal rights and you may also have other rights which vary from state to state.

In instances where property damages are incurred as a result of an alleged product failure, the property owner must retain possession of the product for investigation purpose.



### Illustrated Parts Breakdown

	Description	Qty	10/09 thru Current
1	Pump, N42 115V/1Ph/9' Cd	1	42-0009
2	Seal, Cord-Basin Cover	1	006018
3	Basin, Sink Pump	1	154258
4	Cover, Sink Pump	1	013018
5	Discharge fittings and filter	1	152646
6	Filter, Micro Filament Mesh	1	150786
7	Hardware Pak - Cover and seal	1	152647
8	Handle, Kit Basin SS	1	152648
9	Hose, 3/4" Washing Machine/Braided SS/72"Lg.	2	150787
10	Inlet fittings	1	152649
11	Coupling, Rubber/.75"/Flexible W-Clamps	1	151058
12	Fitting, Adapter/1"FPS X 1"Hose Barb/Pvc	1	154257
13	Seal, Foam,.375" W X 41" L X .250" Thk	1	013730



MAIL TO: P.O. BOX 16347 • Louisville, KY 40256-0347  
SHIP TO: 3649 Cane Run Road • Louisville, KY 40211-1961  
Tel: (502) 778-2731 • 1 (800) 928-PUMP

Trusted. Tested. Tough.®

Visit our website:  
zoellerpumps.com