

MAIL TO: P.O. BOX 16347 • Louisville, KY 40256-0347  
SHIP TO: 3649 Cane Run Road • Louisville, KY 40211-1961  
Tel: (502) 778-2731 • 1 (800) 928-PUMP

Visit our website:  
zoellerpumps.com

Product information presented here reflects conditions at time of publication. Consult factory regarding discrepancies or inconsistencies.

## REPLACEMENT PARTS LIST FOR MODELS:

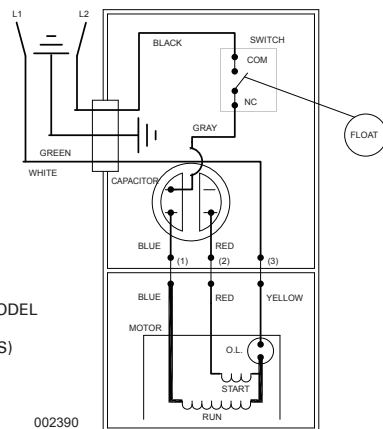
H282 AUTOMATIC 200V/1PH  
I282 NONAUTOMATIC 200V/1PH  
J282 NONAUTOMATIC 200V/3PH  
F282 NONAUTOMATIC 230V/3PH  
G282 NONAUTOMATIC 460V/3PH  
BA282 NONAUTOMATIC 575V/3PH

Consult factory for all other models

### TO ORDER REPLACEMENT PARTS:

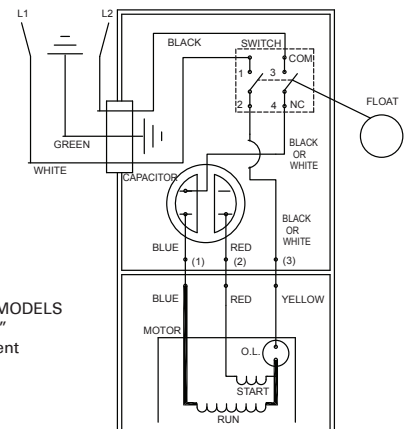
#### PLEASE FURNISH THE FOLLOWING INFORMATION:

- Model Number.
- Part Number of Pump.  
(If manufactured prior to June 1988, give 2 letter date code following model number.)
- Part Number and Description of part.

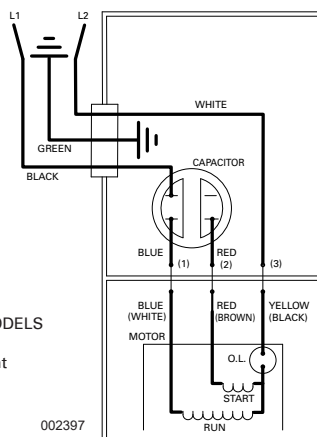


WIRING DIAGRAM FOR MODEL  
"H282-A"  
11/81 (XM) thru 8/86 (US)

002390

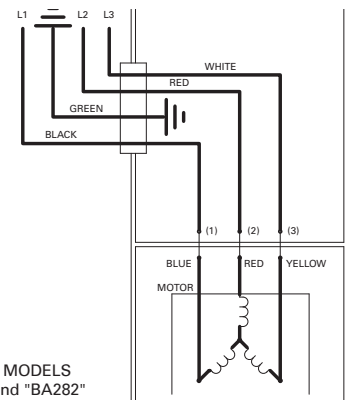


WIRING DIAGRAM FOR MODELS  
"H282-B, C, and D"  
9/86 (VS) thru Current



WIRING DIAGRAM FOR MODELS  
"I282" All Revisions  
11/81 (XM) thru Current

002397



WIRING DIAGRAM FOR MODELS  
"F282", "J282", "G282" and "BA282"  
All Revisions  
11/81 (XM) thru Current

# REPLACEMENT PARTS LIST FOR MODEL "H282"

See page 6 for illustration.

REF. NO.	DESCRIPTION	QTY	NOTES	MODEL: H282-A			
				11/81 (XM) thru 8/86 (US)	H282-B 9/86 (VS) thru 12/92	H282-C 1/93 thru 5/10	H282-D 6/10 thru Current
1	CASE SWITCH & CORD 200V/1PH "282"	1	2,4	006932	006932	006932	006932
2	• GUARD	1		001023	001023	001023	001023
3	CASE-MACH	1	2,4	004614	004614	004614	004614
4	• ARM & SEAL ASM	1	2	002379	004745	004745	004745
5	• GASKET, CASE/COVER	1		001011	001011	001011	001011
6	SWITCH ASM	1	2	002380	004755	004755	004755
7	• WIRE PKG	1		003165	004756	004756	004756
8	RELAY 200V/1PH G1 (&G5)	0		NA	NA	NA	NA
9	CAPACITOR & CLAMP ASM/20UF 370V	1		002381	002381	002381	002381
10	FLOAT, PLASTIC	1		094039	094039	094039	094039
11	GUIDE ASM, FLT ROD	1		094048	094048	094048	094048
12	ROD ASM, FLT	1		001043	001043	001043	150438
13	HOUSING, MTR & STR 200V/1PH/5HP GE	1	1,3,6	007601	007601	007601	150923
	HOUSING, MTR & STR 200V/1PH/5HP EMD	1	1,3,6	150247	150247	007602	NA
14	BEARING, SLEEVE	1		001012	001012	001012	NA
	• BEARING, RADIAL			NA	NA	NA	006703
15	• HANDLE	1		217069	217069	217069	217069
16	CORD TERM & SEAL	1	2,4	006929	006930	006930	006930
17	• CLAMP, STRAIN RELIEF	1	4	001770	001770	001770	001770
18	• SEAL, CORD-ASM & STRAIN RELIEF	1	4	094032	094032	094032	094032
19	• PLUG, TEST-WHITE	2		034090	034090	034090	034090
20	• SEAL, THRU WALL TERM	3		003402	003402	003402	003402
21	ROTOR & BRG 115/230V "282" GE	1	6	003167	003167	007978	150874
	ROTOR & BRG 115/230V "282" EMD			005540	005540	007979	NA
22	• BEARING, RADIAL	1		094106	094106	001013	010069
23	• SEAL, MTR HSG	1		001014	001014	001014	001014
24	• OIL, DIELECTRIC	1		003168	003168	003168	011066
25	ADAPTER-MACH "280"	1		002357	002357	001003	001003
26	• SEAL, SHAFT-ASM	1		002496	002496	002430	002430
27	FLANGE PKG 2" NPT (USE 10-1305)	1		10-1305	10-1305	10-1305	10-1305
	FLANGE PKG 3" NPT (USE 10-1306)			10-1306	10-1306	10-1306	10-1306
28	IMPELLER "282"	1		002998	002998	002998	002998
29	HOUSING, PUMP-MACH	1		217012	217012	217012	217012
30	• SCREW, #10-24 X.375 RHM-SL SS	2		001883	001883	001883	001883
31	• SCREW, #6-32X.25 RHM SL TC STLGR	6		001877	001877	001877	001877
32	• SCREW, .25-20X.75 HHM-SS	4		001916	001916	001916	001916
33	• SCREW, #6-32X.438 RHSLTP "1" STLZI	2		001877	004644	004644	004644
34	• SCREW, .5-13 X 2 HH CAP-SS	2		001909	001909	001909	001909
35	• WASHER, FLAT SS - 1/20 STANDARD	2		002115	002115	002115	002115
36	• SCREW, .313-18 X 1" HH CAP-SS	4		002608	002608	002608	002608
37	• SCREW, .25-20 X 1" HHM-SS	4		007790	007790	007790	007790
□	REBUILD KIT "280"	1		004758	004758	007980	019647

• Items included in Rebuild Kit.

□ Not shown in illustration.

## NOTES:

- 1) Motor housing, bearing, stator & terminal are preassembled at the factory and must be replaced as a unit. Stator is permanently attached to motor housing. Plug, seal, thru wall terminal and upper bearing are replaceable.
- 2) When ordering these parts, customer must identify if switch is a General Electric switch.
- 3) If an "X" follows Model No. or Date Mfg. on brass ID tag, consult factory for ordering of this part.
- 4) See FM0160 Parts Price Sheet for listing of parts prices.
- 5) "N/A" indicates, not applicable.
- 6) When ordering motor housing, bearing, stator and term. or rotor, specify either GE or Emerson motor. GE motor can be identified by (4) holes spaced at 90° around the outside diameter of the stator. Emerson motor can be identified by (4) flat edges spaced at 90° around the outside diameter of the stator.

# REPLACEMENT PARTS LIST FOR MODEL "I282"

See page 7 for illustration.

REF. NO.	DESCRIPTION	QTY	NOTES	MODEL: I282-A			
				I282-B	I282-C	I282-D	
				11/81(XM) thru 8/86 (US)	9/86 (VS) thru 12/92	1/93 thru 5/10	6/10 thru Current
1	COVER & CORDAGE 200V/1PH "282"	1	3	007073	007073	007073	007073
2	COVER-MACH STD CD	1	3	001077	001077	001077	001077
3	• GASKET, CASE/COVER	1		001011	001011	001011	001011
4	• WIRE PKG	1		003165	004756	004756	004756
5	CAPACITOR & CLAMP ASM/20UF 370V	1		002381	002381	002381	002381
6	HOUSING, MTR & STR 200V/1PH/.5HP GE	1	1,2	007601	007601	007601	150923
	HOUSING, MTR & STR 200V/1PH/.5HP EMD	1	1,2	150247	150247	007602	NA
7	BEARING, SLEEVE	1		001012	001012	001012	NA
	• BEARING, RADIAL			NA	NA	NA	006703
8	• HANDLE	1		217069	217069	217069	217069
9	CORD TERM & SEAL	1	3	007071	007071	007071	007071
10	• CLAMP, STRAIN RELIEF	1	3	001770	001770	001770	001770
11	• SEAL, CORD-ASM & STRAIN RELIEF	1	3	094032	094032	094032	094032
12	• PLUG, TEST-WHITE	2		034090	034090	034090	034090
13	• SEAL, THRU WALL TERM	3		003402	003402	003402	003402
14	ROTOR & BRG 115/230V "282" GE	1	1,2	003167	003167	007978	150874
	ROTOR & BRG 115/230V "282" EMD			005540	005540	007979	NA
15	• BEARING, RADIAL	1		094106	094106	001013	010069
16	• SEAL, MTR HSG	1		001014	001014	001014	001014
17	• OIL, DIELECTRIC-(44 OZ)	1		003168	003168	003168	011066
18	ADAPTER-MACH "280"	1		002357	002357	001003	001003
19	• SEAL, SHAFT-ASM	1		002496	002496	002430	002430
20	FLANGE PKG 2" NPT (USE 10-1305)	1		10-1305	10-1305	10-1305	10-1305
	FLANGE PKG 3" NPT (USE 10-1306)			10-1306	10-1306	10-1306	10-1306
21	IMPELLER "282"	1		002998	002998	002998	002998
22	HOUSING, PUMP-MACH	1		217012	217012	217012	217012
23	• SCREW, #6-32X.25 RHM SL TC STLGR	1		001877	001877	001877	001877
24	• SCREW, #10-24X.375 RHM-SL SS	1		001883	001883	001883	001883
25	• SCREW, .25-20X.75 HHM-SS	4		001916	001916	001916	001916
26	• SCREW, .5-13X2 HH CAP-SS	2		001909	001909	001909	001909
27	• WASHER, FLAT SS - 1/2D STANDARD	2		002115	002115	002115	002115
28	• SCREW, .313-18X1" HH CAP-SS	4		002608	002608	002608	002608
29	• SCREW, .25-20X1" HHM-SS	4		007790	007790	007790	007790
□	REBUILD KIT "280"	1		003170	004758	007980	019648

• Items included in Rebuild Kit.

□ Not shown in illustration.

## NOTES:

- 1) Motor housing, bearing, stator & terminal are preassembled at the factory and must be replaced as a unit. Stator is permanently attached to motor housing. Plug, seal, thru wall terminal and upper bearing are replaceable.
- 2) When ordering these parts, customer must identify if switch is a General Electric switch.
- 3) If an "X" follows Model No. or Date Mfg. on brass ID tag, consult factory for ordering of this part.
- 4) See FM0160 Parts Price Sheet for listing of parts prices.
- 5) "N/A" indicates, not applicable.
- 6) When ordering motor housing, bearing, stator and term. or rotor, specify either GE or Emerson motor. GE motor can be identified by (4) holes spaced at 90° around the outside diameter of the stator. Emerson motor can be identified by (4) flat edges spaced at 90° around the outside diameter of the stator.

DATE CODE OF MANUFACTURE FROM 12/70 to 12/88							
1st LETTER MONTH				2nd LETTER YEAR			
M ---JAN.	T ---JULY	A ---1971	G ---1977	O ---1983			
N ---FEB.	U ---AUG.	B ---1972	H ---1978	P ---1984			
O ---MARCH	V ---SEPT.	C ---1973	I ---1979	R ---1985			
P ---APRIL	W ---OCT.	D ---1974	J ---1980	S ---1986			
R ---MAY	X ---NOV.	E ---1975	M ---1981	T ---1987			
S ---JUNE	Y ---DEC.	F ---1976	N ---1982	U ---1988			

NOTE: Four digit (MMYY) date of mfg. used after June, 1988.  
IE: MMYY = 0192 = Jan. 1992.

# REPLACEMENT PARTS LIST FOR MODEL "J282"

See page 8 for illustration.

REF. NO.	DESCRIPTION	QTY	NOTES	MODEL: J282-A			
				11/81(XM) thru 8/86 (US)	9/86 (VS) thru 12/92	1/93 thru 5/10	6/10 thru 6/24
1	• HANDLE	1		217069	217069	217069	217069
2	COVER & CORD 3PH "280"	1	3	003760	003760	003760	003760
3	COVER-MACH STD CD OR 3PH	1	3	001077	001077	001077	001077
4	• GASKET, CASE/COVER	1		001011	001011	001011	001011
5	HOUSING, MTR & STR 3PH/.5HP GE	1	1,2	007662	007662	007662	150950
	HOUSING, MTR & STR 3PH/.5HP EMD	1	1,2	150249	150249	150243	NA
6	BEARING, SLEEVE	1		001012	001012	001012	NA
	• BEARING, RADIAL			NA	NA	NA	006703
7	• CLAMP, STRAIN RELIEF	1	3	001770	001770	001770	001770
8	CORD TERM & SEAL	1	3	003761	003761	003761	003761
9	• SEAL, CORD-ASM & STRAIN RELIEF	1	3	094032	094032	094032	094032
10	• PLUG, TEST-WHITE	2		034090	034090	034090	034090
11	• SEAL, THRU WALL TERM	3		003402	003402	003402	003402
12	ROTOR & BRG ASM 230/460V/3PH/.5HP GE	1	2	007062	007062	009495	150875
	ROTOR & BRG ASM 230/460V/3PH/.5HP EMD			007661	007661	009496	NA
13	• BEARING, RADIAL	1		094106	094106	001013	010069
14	• SEAL, MTR HSG	1		001014	001014	001014	001014
15	• OIL, DIELECTRIC-(44 OZ)	1		003168	003168	003168	011066
16	ADAPTER-MACH "280"	1		002357	002357	001003	001003
17	• SEAL, SHAFT-ASM	1		002496	002496	002430	002430
18	IMPELLER ASM 3PH "282"	1		007063	007063	007063	007063
19	FLANGE PKG 2" NPT (USE 10-1305)	1		10-1305	10-1305	10-1305	10-1305
	FLANGE PKG 3" NPT (USE 10-1306)			10-1306	10-1306	10-1306	10-1306
20	HOUSING, PUMP-MACH	1		217012	217012	217012	217012
21	• SCREW, #6-32X.25RHM SL TC STLGR	1		001877	001877	001877	001877
22	• SCREW, .25-20X.75 HHM-SS	4		001916	001916	001916	001916
23	• SCREW, .313-18X1" HH CAP-SS	4		002608	002608	002608	002608
24	• SCREW, .5-13X2 HH CAP-SS	2		001909	001909	001909	001909
25	• WASHER, FLAT SS - 1/2D STANDARD	2		002115	002115	002115	002115
26	• SCREW, #10-24X.375 RHM-SL SS	1		001883	001883	001883	001883
27	• SCREW, .25-20X1" HHM-SS	4		007790	007790	007790	007790
28	• SCREW, ACORN	1		004351	004351	004351	004351
□	REBUILD KIT "280"	1		003170	004758	010077	019648

• Items included in Rebuild Kit.

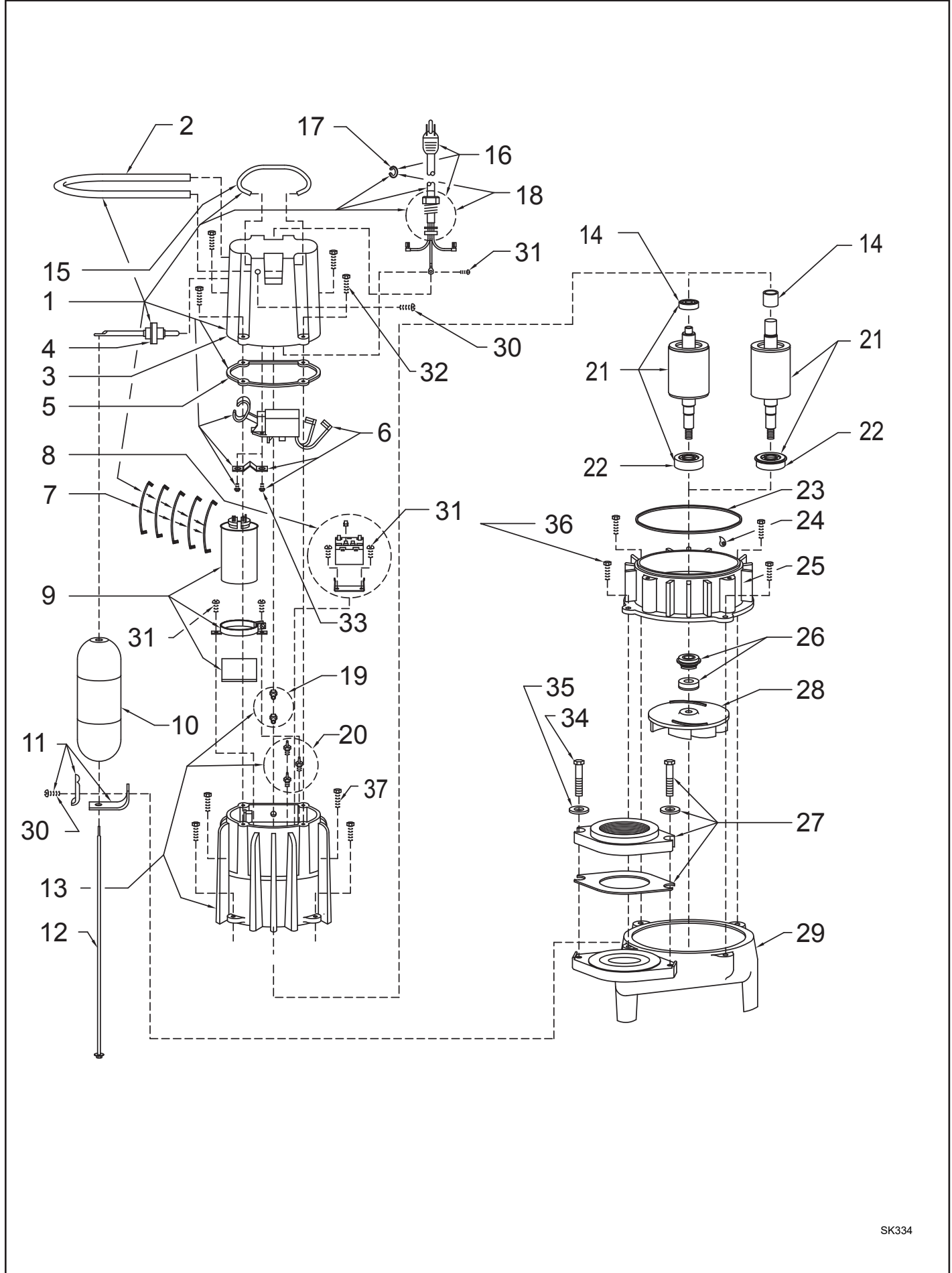
□ Not shown in illustration.

## NOTES:

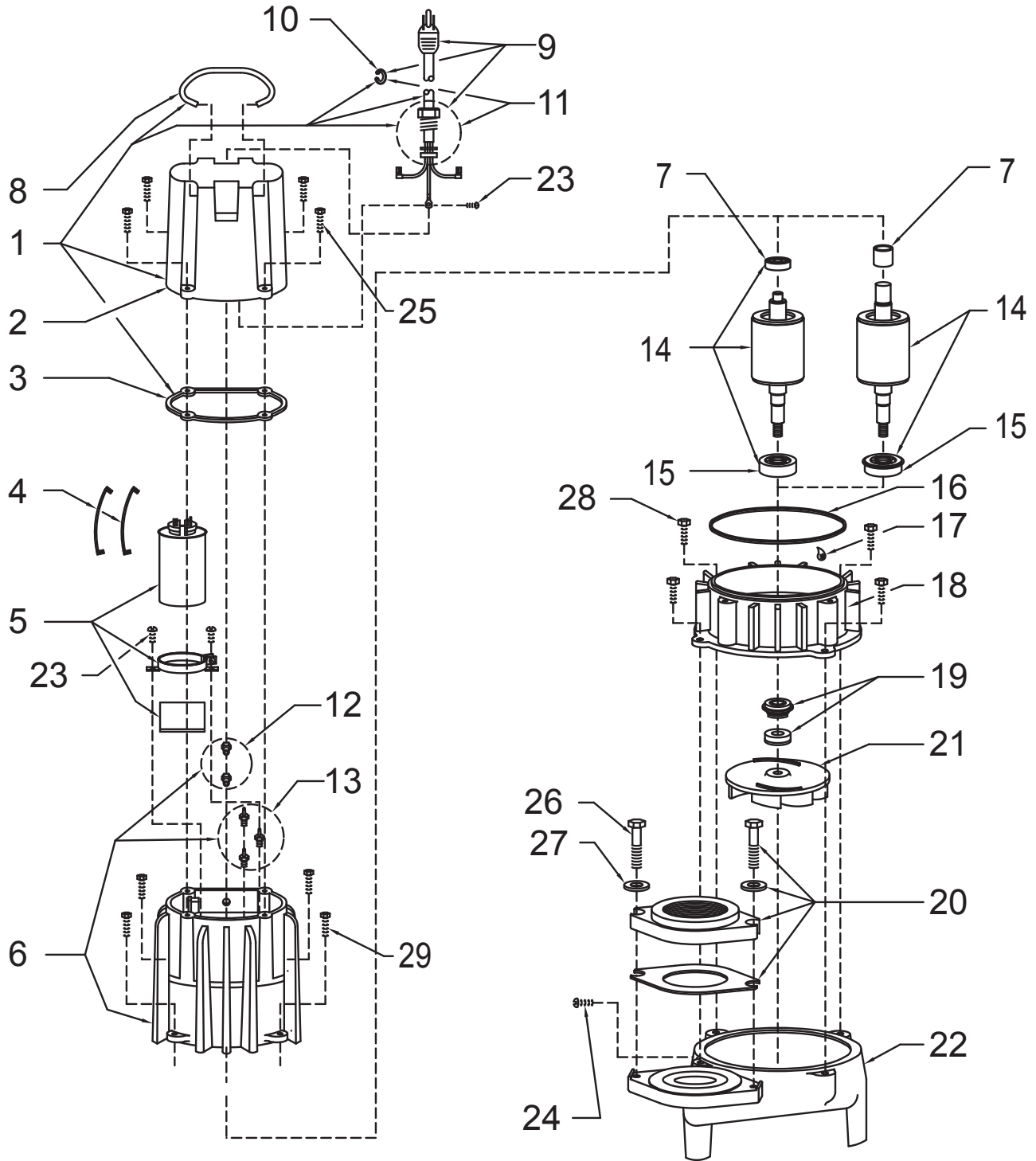
- 1) Motor housing, bearing, stator & terminal are preassembled at the factory and must be replaced as a unit. Stator is permanently attached to motor housing. Plug, seal, thru wall terminal and upper bearing are replaceable.
- 2) When ordering these parts, customer must identify if switch is a General Electric switch.
- 3) If an "X" follows Model No. or Date Mfg. on brass ID tag, consult factory for ordering of this part.
- 4) See FM0160 Parts Price Sheet for listing of parts prices.
- 5) "N/A" indicates, not applicable.
- 6) When ordering motor housing, bearing, stator and term. or rotor, specify either GE or Emerson motor. GE motor can be identified by (4) holes spaced at 90° around the outside diameter of the stator. Emerson motor can be identified by (4) flat edges spaced at 90° around the outside diameter of the stator.



# REPLACEMENT PARTS ILLUSTRATION FOR MODELS "H282"

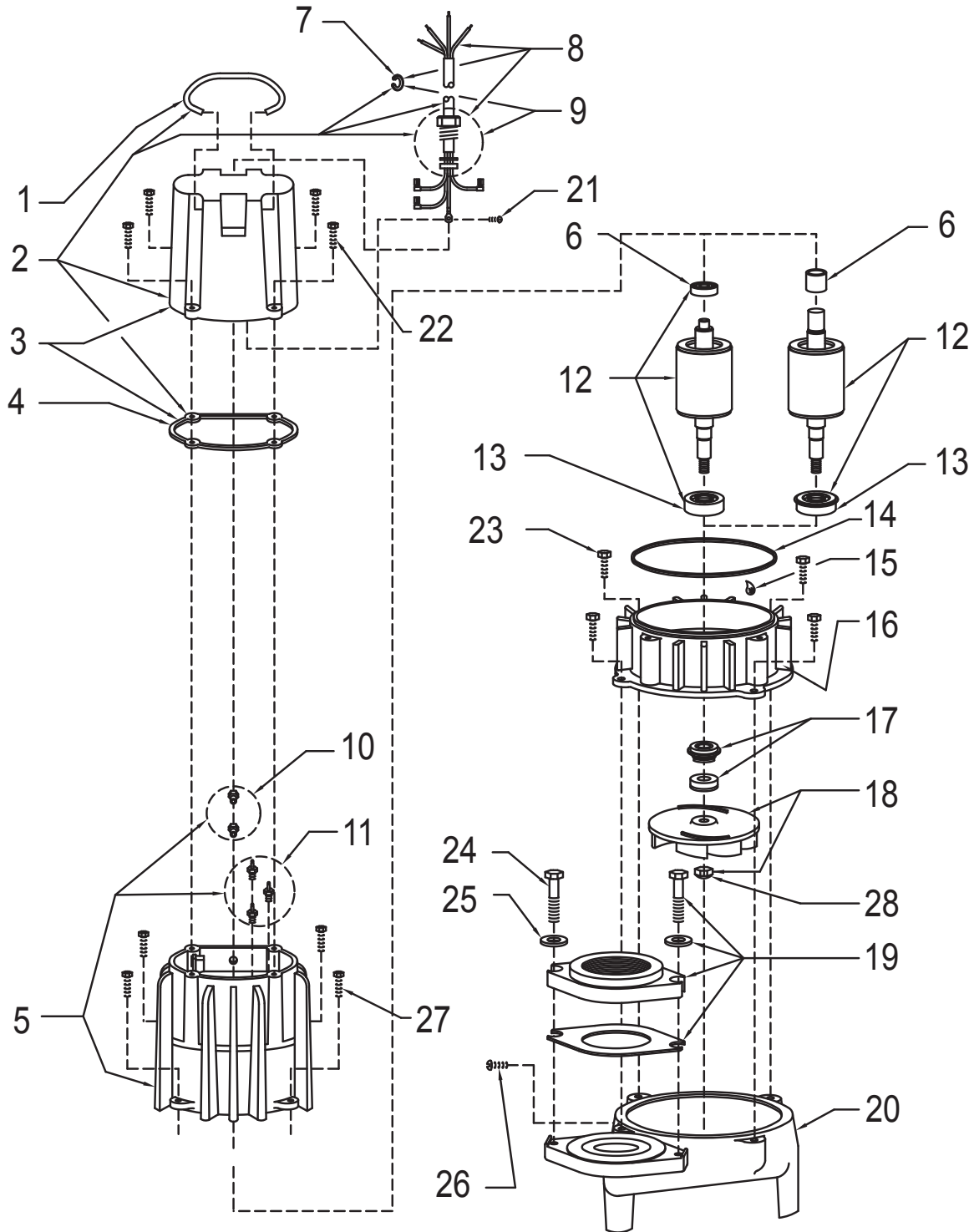


REPLACEMENT PARTS ILLUSTRATION FOR MODELS "I282"



SK924

REPLACEMENT PARTS ILLUSTRATION FOR MODELS "J282", "F282", "G282", & "BA282"



SK1282



MAIL TO: P.O. BOX 16347 • Louisville, KY 40256-0347  
SHIP TO: 3649 Cane Run Road • Louisville, KY 40211-1961  
Tel: (502) 778-2731 • 1 (800) 928-PUMP

Trusted. Tested. Tough.®

Visit our website:  
[zoellerpumps.com](http://zoellerpumps.com)