

MAIL TO: P.O. BOX 16347 • Louisville, KY 40256-0347  
SHIP TO: 3649 Cane Run Road • Louisville, KY 40211-1961  
Tel: (502) 778-2731 • 1 (800) 928-PUMP

Visit our website:  
zoellerpumps.com

Product information presented here reflects conditions at time of publication. Consult factory regarding discrepancies or inconsistencies.

## TECHNICAL DATA SHEET

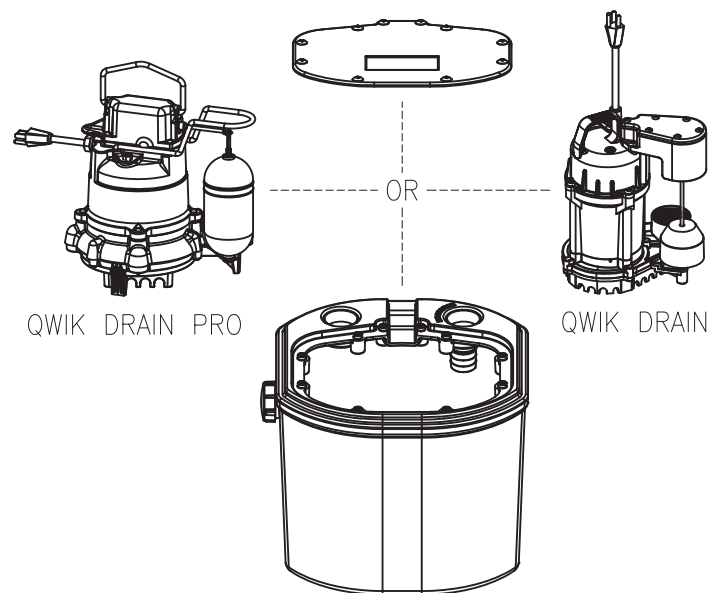
### Drain Pumps

#### Model 105 Qwik Drain™ and Qwik Drain™ Pro

**Remove greywater from residential areas where gravity flow is not available.**

### STANDARD FEATURES

- 13.5" x 13.5" x 11.35" polypropylene curved preassembled basin with submersible pump
- Holds over 5 gallons of greywater
- Removable observation lid for easy inspection and maintenance
- 1-1/2" NPT discharge x 1-1/2" slip union check valve provides easy disconnection of outlet piping
- 2 Port options: top 1-1/2" npt, side 1-1/2" threaded slip-joint
- Compact and easy to service
- Passes laundry lint
- 9' (2.7 m), UL listed, 3-wire cord and plug
- Automatic, float operated, integrated, vertical switch
- Pairs with the high water Qwik Alarm™ (10-5090) for extra protection
- Check valve and rubber couplings included

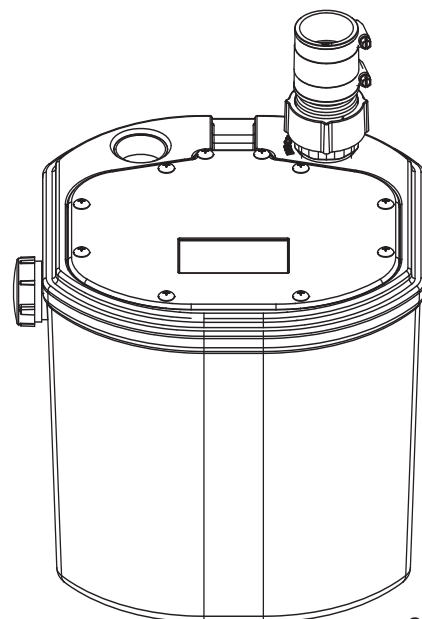


### MODEL 105 - QWIK DRAIN PRO

- PN 105-0031 Made in the USA
- 3/10 HP, 1/2" (12 mm) solids-passing capacity
- Temperature rated for 130 °F (54 °C)
- <58 dba noise level
- Oil-filled
- Cast iron case cover, motor and pump housing with an engineered thermoplastic base

### MODEL 105 - QWIK DRAIN

- PN 105-0032
- 1/3 HP, 3/8" (9 mm) solids-passing capacity
- Temperature rated for 104 °F (40 °C)
- <62 dba noise level
- Oil-filled
- Cast iron motor housing with engineered plastic pump housing & base

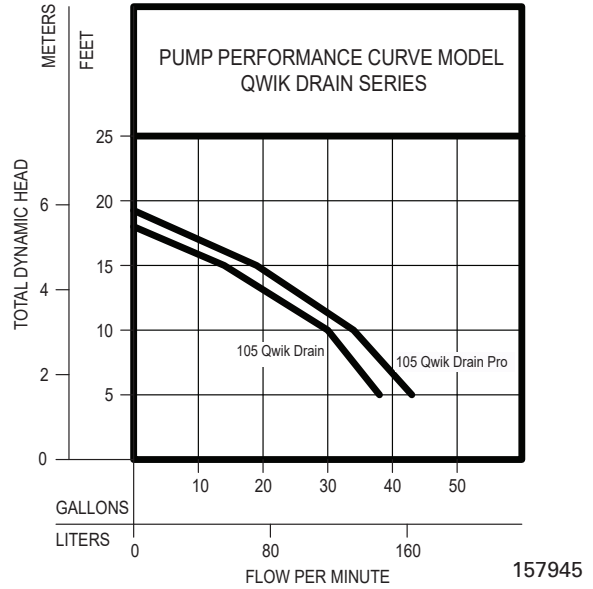


SK3395



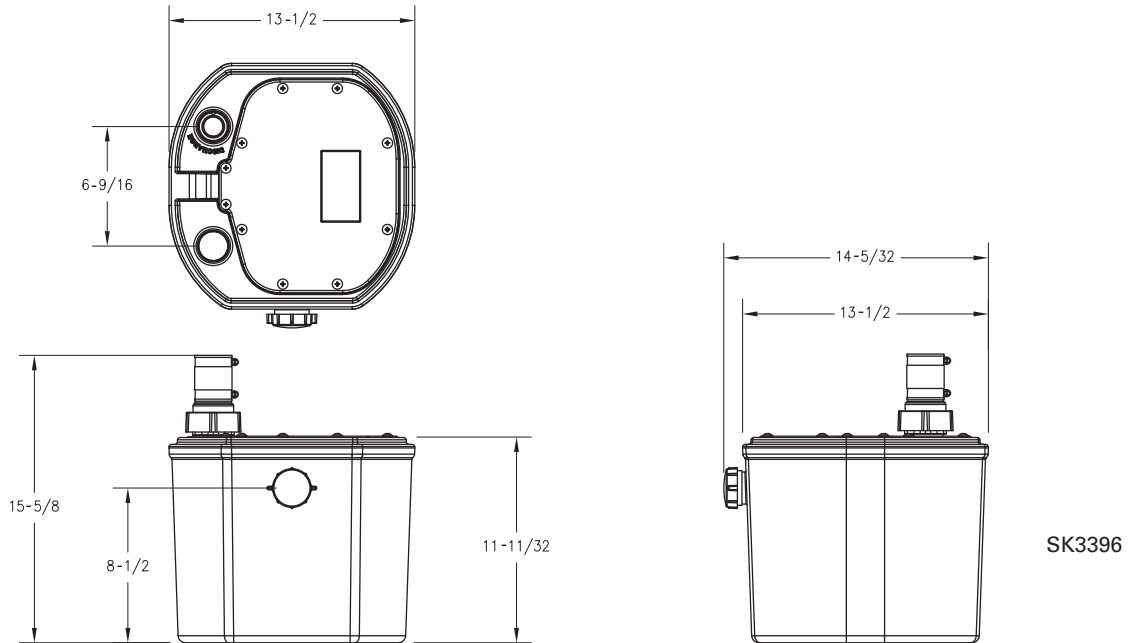
**TOTAL DYNAMIC HEAD/FLOW PER MINUTE  
EFFLUENT AND DEWATERING**

MODEL		105 Qwik Drain		105 Qwik Drain Pro	
Feet	Meters	Gal.	Liters	Gal.	Liters
5	1.5	38	144	43	163
10	3.0	30	114	34	129
15	4.6	14	53	19	72
Shut-off Head:		18 ft.(5.5m)		19.25 ft.(5.9m)	



Item No.	Model	MODEL COMPARISON											Limited Warranty
		Seal	Mode	Volts	Discharge	Ph	Amps	HP	Cord (ft)	Hz	Lbs	Kg	
105-0032	105 Qwik Drain	Single	Auto	115	1-1/2"	1	5.5	1/3	9'	60	18	8	2 year
105-0031	105 Qwik Drain Pro	Single	Auto	115	1-1/2"	1	9.7	3/10	9'	60	28	13	3 year

**Applications include:** laundry tray pump, wet bar sink, lavatory, air conditioning condensate or dehumidifier water removal. It can also be used in conjunction with dishwashers and garbage disposal applications.



**CAUTION** All installation of controls, protection devices and wiring should be done by a qualified licensed electrician. All electrical and safety codes should be followed including the most recent National Electrical Code (NEC) and the Occupational Safety and Health Act (OSHA).