

Trusted. Tested. Tough.®

Product information presented here reflects conditions at time of publication. Consult factory regarding discrepancies or inconsistencies.



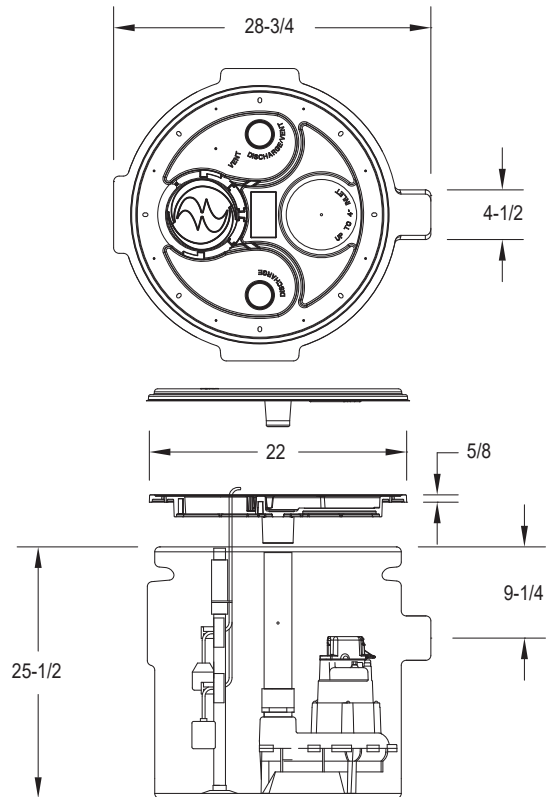
SECTION: 2.45.054  
 FM3292  
 1023  
 Supersedes  
 0523

## TECHNICAL DATA SHEET

912 PACKAGE SYSTEMS  
 PREASSEMBLED SEWAGE SYSTEMS FOR FAST INSTALLATION.

### PUMP SPECIFICATIONS

<b>MOTOR</b>	Horse Power	0.4 & 0.5
	Voltage	115
	Phase	1
	Hertz	60
	RPM	1725
	Amps	9.4
	<b>PUMP</b>	Auto On / Off
Discharge Size		2" NPT
Solids Handling		2" (50 mm) spherical solids
Cord Length		20' (6 m) standard
Cord Type		UL listed 3-wired plug
Max. Operating Temp.		130 °F (54 °C)
Cooling		Oil filled
Motor Protection	Auto reset thermal overload	
<b>MATERIALS</b>	Cap	Cast iron
	Motor Housing	Cast iron
	Pump Housing	Cast iron
	Base	Engineered plastic
	Upper Bearing	Sleeve bearing
	Lower Bearing	Sleeve bearing
	Mechanical Seals	Carbon/ceramic
	Impeller Type	Non-clogging vortex
	Impeller	Engineered plastic
	Hardware	Stainless steel
	Motor Shaft	AISI 1215 cold rolled steel
	Gasket	Neoprene



SK3308

24" x 24" (61 x 61 cm) shown, 18" x 30" (46 x 76 cm) and 24" x 36" (61 x 91 cm) also available.

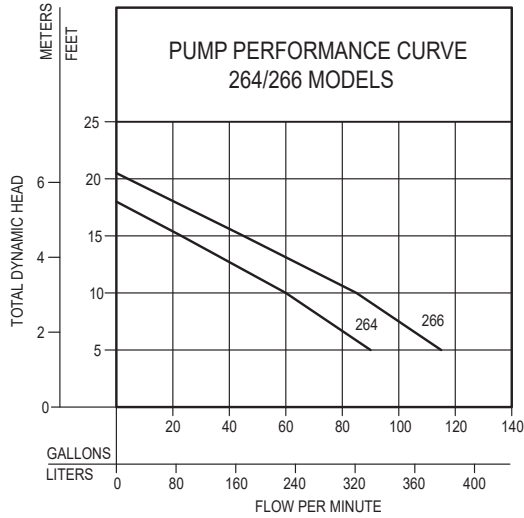
#### CAUTION

All installation of controls, protection devices and wiring should be done by a qualified licensed electrician. All electrical and safety codes should be followed including the most recent National Electrical Code (NEC) and the Occupational Safety and Health Act (OSHA).



**WARNING** These systems are not designed for hazardous environments. Please consult factory for special options and requirements.

# TOTAL DYNAMIC HEAD FLOW PER MINUTE



# TOTAL DYNAMIC HEAD/FLOW PER MINUTE SEWAGE AND DEWATERING

MODELS		264		266	
Feet	Meters	Gal.	Liters	Gal.	Liters
5	1.5	90	341	115	435
10	3.0	60	227	85	322
15	4.6	23	87	45	170
Shut-off Head:		18 ft.(5.5m)		20.5 ft.(6.2m)	

009969

Location	10' Stack	Simplex/Duplex	Basin	AFD	Vent	Basin Material	Float Switch	Pump HP	Alarm	Part Number	
Indoor	No	Simplex	24" x 24"	Yes	2"	Poly	Integral	.4 HP	No	912-1141**	
								.4 HP	Yes	912-1147	
								.5 HP	No	912-1143**	
							Piggyback	.5 HP	Yes	912-1149	
								.4 HP	No	912-1142**	
								.4 HP	Yes	912-1148	
			18" x 30"	No	2"	PSF	Integral	.4 HP	No	912-0007	
								.4 HP	Yes	912-1007	
								.5 HP	No	912-0010	
							Piggyback	.5 HP	Yes	912-1010	
								.4 HP	No	912-0005	
								.4 HP	Yes	912-1005	
	18" x 30"	No	2**	Poly	Integral	.5 HP	No	912-0070			
						.4 HP	No	912-0055			
						.4 HP	Yes	912-1055			
					Piggyback	.5 HP	No	912-0056			
						.5 HP	Yes	912-1056			
						.4 HP	No	912-0086			
	Yes L.A. Code	Simplex	Duplex	24" x 24"	Yes	2"	Poly	Integral	.4 HP	No	912-0086
									.4 HP	Yes	912-1086
									.5 HP	No	912-0088
								Piggyback	.5 HP	Yes	912-1088
									.4 HP	No	912-0087
									.4 HP	Yes	912-1087
Simplex		Simplex	18" x 30"	No	2"	Fiber-glass	Integral	.5 HP	No	912-0089	
								.5 HP	Yes	912-1089	
								.5 HP	Yes***	912-1161	
							Piggyback	.4 HP	No	912-0016	
								.4 HP	Yes	912-0020	
								.5 HP	No	912-0020	
Outdoor	No	Simplex	18" x 30"	No	NA	PSF	Integral	.4 HP	No	912-0082	
								.4 HP	Yes	912-1082	
								.5 HP	No	912-0084	
								.5 HP	Yes	912-1084	
								Piggyback	.4 HP	No	912-0083
									.4 HP	Yes	912-1083
							.5 HP		No	912-0085	
							Piggyback	.5 HP	Yes	912-1085	