

MAIL TO: P.O. BOX 16347 • Louisville, KY 40256-0347
 SHIP TO: 3649 Cane Run Road • Louisville, KY 40211-1961
 Tel: (502) 778-2731 • 1 (800) 928-PUMP

Visit our website:
 zoellerpumps.com

Product information presented here reflects conditions at time of publication. Consult factory regarding discrepancies or inconsistencies.

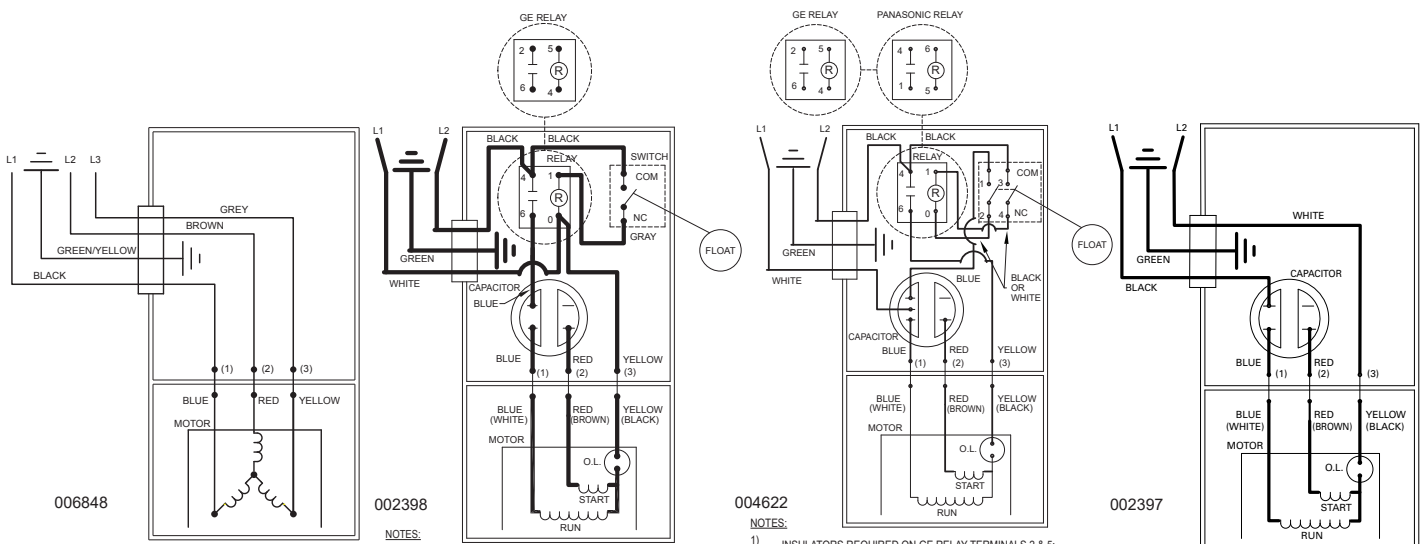
REPLACEMENT PARTS LIST FOR MODELS:

- F293 NONAUTOMATIC 230V/3PH
- G293 NONAUTOMATIC 460V/3PH
- BA293 NONAUTOMATIC 575V/3PH
- H293 NONAUTOMATIC 200V/1PH
- I293 NONAUTOMATIC 200V/1PH
- J293 NONAUTOMATIC 200V/3PH
- D293 AUTOMATIC 230V/1PH
- E293 NONAUTOMATIC 230V/1PH

TO ORDER REPLACEMENT PARTS:

PLEASE FURNISH THE FOLLOWING INFORMATION:

- Model Number.
- Part Number of Pump.
- Part Number and Description of part.



WIRING DIAGRAM FOR MODELS
 "F293", "G293", "J293" &
 "BA293"
 9/96 thru Current
 All Revisions

WIRING DIAGRAM FOR MODELS
 "D293-A", "D293-B",
 "H293-A" & "H293-B"
 12/80 (YJ) thru 8/86 (US)

WIRING DIAGRAM FOR MODELS
 "D293-C", & "H293-C"
 9/86 (VS) thru Current

WIRING DIAGRAM FOR MODELS
 "E293-A", "E293-B",
 "E293-C", "E293-D" &
 "I293"
 12/80 (YJ) thru Current

REPLACEMENT PARTS LIST FOR MODEL "D293".

See page 9 for illustration.

REF. NO.	DESCRIPTION	QTY	NOTES	MODELS: D293-A D293-B D293-C D293-D D293-E D293-F					
				12/80 thru 1/85	2/85 thru 8/86	9/86 thru 7/09	8/09 thru 1/16	2/16 thru 5/16	6/16 thru Current
1	CASE SWITCH & CORD 230V/1PH	1	2,3	002378	002378	004748	004748	004748	004748
2	• GUARD	1		001023	001023	001023	001023	001023	001023
3	CASE-MACH "160/180/280/290"	1	2	004748	004748	004614	004614	004614	004614
4	• ARM & SEAL ASM "160/180/290"	1	2	002379	004745	004745	004745	004745	004745
5	• GASKET, CASE/COVER	1		001011	001011	001011	001011	001011	001011
6	SWITCH ASM "160/180/290"	1	2	002380	002380	004744	004744	004744	004744
	WIRE ASM-F-F(1)WIRE GY 7" LG	1		002609	002609	NA	NA	NA	NA
7	• WIRE PKG (5) WIRES	1		001070	001070	004749	004749	004749	004749
8	RELAY 230V	1	2	217093	217093	217093	217093	153833	153833
9	CAPACITOR & CLAMP ASM 20UF	1		002381	002381	002381	002381	002381	002381
10	FLOAT, PLASTIC	1		094039	094039	094039	094039	094039	094039
11	GUIDE ASM, FLT ROD	1		001072	001072	001072	001072	001072	001072
12	ROD ASM, FLT	1		001043	001043	001043	150438	150438	150438
13	HOUSING, MTR-& STRATOR 230/1PH	1	1,6	002382	002382	002382	019655	019655	019655
14	BEARING, SLEEVE	1		001012	001012	001012	NA	NA	NA
	BEARING, UPPER BALL	1		NA	NA	NA	006703	006703	006703
15	• HANDLE	1		217069	217069	217069	217069	217069	217069
16	CORD TERM&SEAL 20'/230V/1PH/A	1	3	002429	002429	002429	002429	002429	002429
17	CLAMP, STRAIN RELIEF-RED	1	3	001770	001770	001770	001770	001770	001770
18	• SEAL, CORD-ASM & STRAIN RELIEF	1	3	094032	094032	094032	094032	094032	094032
19	• PLUG, TEST-WHITE	2		034090	034090	034090	034090	034090	034090
20	• SEAL, THRU WALL TERM	3		003402	003402	003402	003402	003402	003402
21	ROTOR & BRG ASM	1	6	001074	001074	001074	019650	019650	019650
22	• BEARING,RADIAL	1		001013	001013	001013	010069	010069	010069
23	• SEAL, MTR HSG	1		001014	001014	001014	001014	001014	001014
24	• OIL, DIELECTRIC	1		002383	002383	002383	011066	011066	011066
25	ADAPTER-MACH 163/165/293	1		001003	001003	001003	001003	001003	001003
26	• SEAL, SHAFT	1		002430	002430	002430	002430	002430	002430
27	FLANGE PKG 2" NPT	1		10-1305	10-1305	10-1305	10-1305	10-1305	10-1305
	FLANGE PKG 3" NPT	1		10-1306	10-1306	10-1306	10-1306	10-1306	10-1306
28	IMPELLER "293" BRONZE	1		001036	004222	004222	004222	004222	004216
	IMPELLER "293" CAST IRON			NA	NA	NA	NA	NA	153999
29	HOUSING, PUMP-MACH "293"	1		001005	001005	001005	001005	001005	001005
30	• SCREW,#10-24 X.375 RHM-SL SS	2		001883	001883	001883	001883	001883	001883
31	• SCREW,#6-32X.25RHM SL TC STLGR	5		001877	001877	001877	001877	001877	001877
32	• SCREW, .25-20 X .75 HHM-SS	4		001916	001916	001916	001916	001916	001916
33	• SCREW,#6-32X.438RHSLTP"1" STLZI	2		001877	001877	004644	001909	001909	001909
34	• SCREW, .5-13 X 2 HH CAP-SS	2		001909	001909	001909	001909	001909	001909
35	• WASHER, SS-1.25"ODX.562"IDX.078	2		002115	002115	002115	002115	002115	002115
36	• SCREW, .313-18X1 HH CAP-SS	4		002608	002608	002608	002608	002608	002608
37	• SCREW, .25-20X1" HHM-SS	4		007790	007790	007790	007790	007790	007790
o	REBUILD KIT "160/185/293"			001076	001076	004747	019647	019647	019647

- Items included in Rebuild Kit.
- o Not Shown in Illustration.

NOTES:

- 1) Mtr. Hsg., Brg., Stator & Term. (Item 13) is preassembled at the factory and must be replaced as a unit. Stator is permanently attached to the Motor Housing. Plug (Item 19); Seal, Thru Wall Term. (Item 20) and Bearing-Upper (Item 14) are replaceable.
- 2) When ordering these parts, customer must identify if switch is a General Electric Switch.
- 3) If an "X" follows Model No., or Date Mfg. on brass ID tag, consult factory for ordering any parts.
- 4) See FM0160 Parts Price Sheet for listing of parts prices.
- 5) "NA" indicates, not applicable.
- 6) When ordering specify either General Electric or Emerson motor.

REPLACEMENT PARTS LIST FOR MODEL "E293".

See page 9 for illustration.

REF. NO.	DESCRIPTION	QTY	NOTES	MODELS: E293-A				
				E293-B	E293-C	E293-D	E293-E	
				12/80 thru 1/85	2/85 thru 8/86	9/86 thru 7/09	8/09 thru 5/16	6/16 thru Current
1	• HANDLE	1		217069	217069	217069	217069	217069
2	COVER & CORD 230V/1PH	1	2	002401	002401	002401	002401	002401
3	COVER-MACH STD CD OR 3PH "293"	1	2	001077	001077	001077	001077	001077
4	• GASKET,CASE/COVER	1		001011	001011	001011	001011	001011
5	• WIRE PKG (5) WIRES	1		001070	001070	004749	004749	004749
6	CAPACITOR & CLAMP ASM 20UF	1		002381	002381	002381	002381	002381
7	HOUSING,MTR-& STRATOR 230/1PH	1	1,5	002382	002382	002382	019655	019655
8	BEARING,SLEEVE	1		001012	001012	001012	NA	NA
	BEARING, UPPER BALL	1		NA	NA	NA	006703	006703
9	CORD TERM&SEAL 20'/230V/1PH/NA	1	2	002402	002402	002402	002402	002402
10	CLAMP,STRAIN RELIEF-RED	1		001770	001770	001770	001770	001770
11	• SEAL,CORD-ASM & STRAIN RELIEF	1	2	094032	094032	094032	094032	094032
12	• PLUG,TEST-WHITE	2		034090	034090	034090	034090	034090
13	• SEAL,THRU WALL TERM	3		003402	003402	003402	003402	003402
14	ROTOR & BRG ASM	1	5	001074	001074	001074	019650	019650
15	• BEARING,RADIAL	1		001013	001013	001013	010069	010069
16	• SEAL,MTR HSG	1		001014	001014	001014	001014	001014
17	• OIL,DIELECTRIC	1		002383	002383	002383	011066	011066
18	ADAPTER-MACH 163/165/293	1		001003	001003	001003	001003	001003
19	• SEAL,SHAFT	1		002430	002430	002430	002430	002430
20	FLANGE PKG 2"NPT	1		10-1305	10-1305	10-1305	10-1305	10-1305
	FLANGE PKG 3"NPT	1		10-1306	10-1306	10-1306	10-1306	10-1306
21	IMPELLER "293" BRONZE	1		001036	004222	004222	004222	004216
	IMPELLER "293" CAST IRON			NA	NA	NA	NA	153999
22	HOUSING,PUMP-MACH "293"	1		001005	001005	001005	001005	001005
23	• SCREW,#6-32X.25RHM SL TC STLGR	3		001877	001877	001877	001877	001877
24	• SCREW,#10-24 X.375 RHM-SL SS	1		001883	001883	001883	001883	001883
25	• SCREW,.25-20 X .75 HHM-SS	4		001916	001916	001916	001916	001916
26	• SCREW,.5-13 X 2 HH CAP-SS	2		001909	001909	001909	001909	001909
27	• WASHER,SS-1.25"ODX.562"IDX.078	2		002115	002115	002115	002115	002115
28	• SCREW,.313-18 X 1"HH CAP-SS	4		002608	002608	002608	002608	002608
29	• SCREW,.25-20X1" HHM-SS	4		007790	007790	007790	007790	007790
□	REBUILD KIT "160/185/293"			001076	001076	004747	019648	019648

• Items included in Rebuild Kit.

□ Not Shown in Illustration.

NOTES:

- 1) Mtr. Hsg., Brg., Stator & Term. (Item 7) is preassembled at the factory and must be replaced as a unit. Stator is permanently attached to the Motor Housing. Plug (Item 12); Seal, Thru Wall Term. (Item 13) and Bearing-Upper (Item 8) are replaceable.
- 2) If an "X" follows Model No., or Date Mfg. on brass ID tag, consult factory for ordering any parts.
- 3) See FM0160 Parts Price Sheet for listing of parts prices.
- 4) "NA" indicates, not applicable.
- 5) When ordering specify either General Electric or Emerson motor.

REPLACEMENT PARTS LIST FOR MODEL "F293".

See page 11 for illustration.

REF. NO.	DESCRIPTION	QTY	NOTES	MODELS:				
				F293-A	F293-B	F293-C	F293-D	F293-E
				4/81 thru 1/85	2/85 thru 8/86	9/86 thru 7/09	8/09 thru 5/16	6/16 thru Current
1	HANDLE	1		217069	217069	217069	217069	217069
2	• COVER & CORD	1	2	002963	002963	002963	002963	002963
3	COVER-MACH.	1	2	001077	001077	001077	001077	001077
4	• GASKET, CASE/COVER	1		001011	001011	001011	001011	001011
5	HOUSING, MTR-& STR	1	1,5	005472	005472	005472	019657	019657
6	BEARING, SLEEVE	1		001012	001012	001012	N/A	N/A
	• BEARING, RADIAL	1		N/A	N/A	N/A	006703	006703
7	CLAMP, STRAIN RELIEF	1	2	001770	001770	001770	001770	001770
8	CORD TERM & SEAL ASM	1	2	005131	005131	005131	005131	005131
9	• SEAL, CORD-ASM & STRAIN RELIEF	1	2	011656	011656	011656	011656	011656
10	• PLUG, TEST-WHITE	2		034090	034090	034090	034090	034090
11	• SEAL, THRU WALL TERM	3		003402	003402	003402	003402	003402
12	ROTOR & BRG	1	5	004870	004870	004870	019651	019651
13	• BEARING, RADIAL	1		001013	001013	001013	010069	010069
14	• SEAL, MTR HSG	1		001014	001014	001014	001014	001014
15	• OIL, DIELECTRIC	1		003168	003168	003168	011066	011066
16	ADAPTER-MACH	1		001003	001003	001003	001003	001003
17	• SEAL, SHAFT	1		002430	002430	002430	002430	002430
18	IMPELLER ASM "293" BRONZE	1		con. fact.	012218	012218	012218	012977
	IMPELLER ASM "293" CAST IRON			N/A	N/A	N/A	N/A	154000
19	FLANGE PKG 2" NPT	1		10-1305	10-1305	10-1305	10-1305	10-1305
	FLANGE PKG 3" NPT	1		10-1306	10-1306	10-1306	10-1306	10-1306
20	HOUSING, PUMP-MACH	1		001005	001005	001005	001005	001005
21	• SCREW, #6-32 X .25 RHM SL TC STLGR	1		001877	001877	001877	001877	001877
22	• SCREW, .25-20 X .75 HHM-SS	4		001916	001916	001916	001916	001916
23	• SCREW, .313-18 X 1 HH CAP-SS	4		002608	002608	002608	002608	002608
24	• SCREW, .5-13 X 2 HH CAP-SS	2		001909	001909	001909	001909	001909
25	• WASHER, SS-1.250D X .562ID X .078	2		002115	002115	002115	002115	002115
26	• SCREW, #10-24 X .375 RHM-SL SS	1		001883	001883	001883	001883	001883
27	• SCREW, .25-20 X 1 HHM-SS	4		007790	007790	007790	007790	007790
28	NUT, 7/16-20 ACORN SS	1		004351	004351	004351	004351	004351
29	SPRING, BEARING PRELOAD	1		N/A	N/A	N/A	N/A	N/A
□	REBUILD KIT	1		014193	014193	014193	019648	019648

• Items included in Rebuild Kit.

□ Not Shown in Illustration.

NOTES:

- 1) Mtr. Hsg., Brg., Stator & Term. (Item 5) is preassembled at the factory and must be replaced as a unit. Stator is permanently attached to the Motor Housing. Plug (Item 10); Seal, Thru Wall Term. (Item 11) and Bearing-Upper (Item 6) are replaceable.
- 2) If an "X" follows Model No., or Date Mfg. on brass ID tag, consult factory for ordering any parts.
- 3) See FM0160 Parts Price Sheet for listing of parts prices.
- 4) "NA" indicates, not applicable.
- 5) When ordering specify either General Electric or Emerson motor.

REPLACEMENT PARTS LIST FOR MODELS "G293" AND "BA293".

See page 11 for illustration.

REF. NO.	DESCRIPTION	QTY	NOTES	MODELS: G293-A G293-B G293-C G293-D G293-E BA293-A BA293-B BA293-C								
				1/82 thru 1/85	2/85 thru 8/86	9/86 thru Current	8/09 thru 5/16	6/16 thru Current	2/85 thru 7/09	8/09 thru 5/16	6/16 thru Current	
1	HANDLE	1		217069	217069	217069	217069	217069	217069	217069	217069	217069
2	• COVER & CORD	1	2	002963	002963	002963	002963	002963	002963	002963	002963	002963
3	COVER-MACH.	1	2	001077	001077	001077	001077	001077	001077	001077	001077	001077
4	• GASKET, CASE/COVER	1		001011	001011	001011	001011	001011	001011	001011	001011	001011
5	HOUSING, MTR- & STR	1	1,5	003770	003770	003770	019658	019658	006287	019659	019659	019659
6	BEARING, SLEEVE	1		001012	001012	001012	N/A	N/A	001012	N/A	N/A	N/A
	• BEARING, RADIAL	1		N/A	N/A	N/A	006703	006703	N/A	006703	006703	006703
7	CLAMP, STRAIN RELIEF	1	2	001770	001770	001770	001770	001770	001770	001770	001770	001770
8	CORD TERM & SEAL ASM	1	2	005131	005131	005131	005131	005131	005131	005131	005131	005131
9	• SEAL, CORD-ASM & STRAIN RELIEF	1	2	011656	011656	011656	011656	011656	011656	011656	011656	011656
10	• PLUG, TEST-WHITE	2		034090	034090	034090	034090	034090	034090	034090	034090	034090
11	• SEAL, THRU WALL TERM	3		003402	003402	003402	003402	003402	003402	003402	003402	003402
12	ROTOR & BRG	1	5	004870	004870	004870	019651	019651	004870	019651	019651	019651
13	• BEARING, RADIAL	1		001013	001013	001013	010069	010069	001013	010069	010069	010069
14	• SEAL, MTR HSG	1		001014	001014	001014	001014	001014	001014	001014	001014	001014
15	• OIL, DIELECTRIC	1		003168	003168	003168	011066	011066	003168	011066	011066	011066
16	ADAPTER-MACH	1		001003	001003	001003	001003	001003	001003	001003	001003	001003
17	• SEAL, SHAFT	1		002430	002430	002430	002430	002430	002430	002430	002430	002430
18	IMPELLER ASM "293" BRONZE	1		con. fact.	012218	012218	012218	012977	012218	012218	012977	012977
	IMPELLER ASM "293" CAST IRON			N/A	N/A	N/A	N/A	154000	N/A	N/A	154000	154000
19	FLANGE PKG 2" NPT	1		10-1305	10-1305	10-1305	10-1305	10-1305	10-1305	10-1305	10-1305	10-1305
	FLANGE PKG 3" NPT	1		10-1306	10-1306	10-1306	10-1306	10-1306	10-1306	10-1306	10-1306	10-1306
20	HOUSING, PUMP-MACH	1		001005	001005	001005	001005	001005	001005	001005	001005	001005
21	• SCREW, #6-32 X .25 RHM SL TC STLGR	1		001877	001877	001877	001877	001877	001877	001877	001877	001877
22	• SCREW, .25-20 X .75 HHM-SS	4		001916	001916	001916	001916	001916	001916	001916	001916	001916
23	• SCREW, .313-18 X 1 HH CAP-SS	4		002608	002608	002608	002608	002608	002608	002608	002608	002608
24	• SCREW, .5-13 X 2 HH CAP-SS	2		001909	001909	001909	001909	001909	001909	001909	001909	001909
25	• WASHER, SS-1.250D X .562ID X .078	2		002115	002115	002115	002115	002115	002115	002115	002115	002115
26	• SCREW, #10-24 X .375 RHM-SL SS	1		001883	001883	001883	001883	001883	001883	001883	001883	001883
27	• SCREW, .25-20 X 1 HHM-SS	4		007790	007790	007790	007790	007790	007790	007790	007790	007790
28	NUT, 7/16-20 ACORN SS	1		004351	004351	004351	004351	004351	004351	004351	004351	004351
29	SPRING, BEARING PRELOAD	1		N/A	N/A	N/A	N/A	N/A	N/A	N/A	N/A	N/A
□	REBUILD KIT			014193	014193	014193	019648	019648	014193	019648	019648	019648

• Items included in Rebuild Kit.

□ Not Shown in Illustration.

NOTES:

- 1) Mtr. Hsg., Brg., Stator & Term. (Item 5) is preassembled at the factory and must be replaced as a unit. Stator is permanently attached to the Motor Housing. Plug (Item 10); Seal, Thru Wall Term. (Item 11) and Bearing-Upper (Item 6) are replaceable.
- 2) If an "X" follows Model No., or Date Mfg. on brass ID tag, consult factory for ordering any parts.
- 3) See FM0160 Parts Price Sheet for listing of parts prices.
- 4) "NA" indicates, not applicable.
- 5) When ordering specify either General Electric or Emerson motor.

REPLACEMENT PARTS LIST FOR MODEL "H293".

See page 10 for illustration.

REF. NO.	DESCRIPTION	QTY	NOTES	MODELS: H293-A H293-B H293-C H293-D H293-E H293-F					
				10/82 thru 1/85	2/85 thru 8/86	9/86 thru 7/09	8/09 thru 1/16	2/16 thru 5/16	6/16 thru 6/24
1	CASE SW & CORD	1	2,3	005383	005383	005383	005383	005383	005383
2	• GUARD	1		001023	001023	001023	001023	001023	001023
3	CASE-MACH.	1	2	005383	005383	004614	004614	004614	004614
4	• ARM & SEAL ASM	1	2	002379	002379	004745	004745	004745	004745
5	• GASKET, CASE/COVER	1		001011	001011	001011	001011	001011	001011
6	SWITCH ASM	1	2	002380	002380	004744	004744	004744	004744
7	• WIRE PKG (5) WIRES	1		001070	001070	004749	004749	004749	004749
8	RELAY	1		217093	217093	217093	217093	153833	153833
9	CAPACITOR & CLAMP ASM	1		002381	002381	002381	002381	002381	002381
10	FLOAT, PLASTIC	1		094039	094039	094039	094039	094039	094039
11	GUIDE ASM, FLT ROD	1		001072	001072	001072	001072	001072	001072
12	ROD ASM, FLT	1		001043	001043	001043	150438	150438	150438
13	HOUSING, MTR-& STR	1	1,6	005529	005529	005529	019654	019654	019654
14	BEARING, SLEEVE	1		001012	001012	001012	N/A	N/A	N/A
	• BEARING, RADIAL	1		N/A	N/A	N/A	006703	006703	006703
15	• HANDLE	1		217069	217069	217069	217069	217069	217069
16	CORD TERM & SEAL ASM	1	3	005384	005384	005384	005384	005384	005384
17	CLAMP, STRAIN RELIEF	1	3	001770	001770	001770	001770	001770	001770
18	• SEAL, CORD-ASM & STRAIN RELIEF	1	3	094032	094032	094032	094032	094032	094032
19	• PLUG, TEST-WHITE	2		034090	034090	034090	034090	034090	034090
20	• SEAL, THRU WALL TERM	3		003402	003402	003402	003402	003402	003402
21	ROTOR & BRG	1	6	001074	001074	001074	019650	019650	019650
22	• BEARING, RADIAL	1		001013	001013	001013	010069	010069	010069
23	• SEAL, MTR HSG	1		001014	001014	001014	001014	001014	001014
24	• OIL, DIELECTRIC	1		003168	003168	003168	011066	011066	011066
25	ADAPTER-MACH	1		001003	001003	001003	001003	001003	001003
26	• SEAL, SHAFT	1		002430	002430	002430	002430	002430	002430
27	FLANGE PKG 2" NPT	1		10-1305	10-1305	10-1305	10-1305	10-1305	10-1305
	FLANGE PKG 3" NPT			10-1306	10-1306	10-1306	10-1306	10-1306	10-1306
28	IMPELLER "293" BRONZE	1		001036	001036	004222	004222	004222	004216
	IMPELLER "293" CAST IRON			N/A	N/A	N/A	N/A	N/A	153999
29	HOUSING, PUMP-MACH	1		001005	001005	001005	001005	001005	001005
30	• SCREW, #10-24 X .375 RHM-SL SS	2		001883	001883	001883	001883	001883	001883
31	• SCREW, #6-32 X .25 RHM SL TC STLGR	5		001877	001877	001877	001877	001877	001877
32	• SCREW, .25-20 X .75 HHM-SS	4		001916	001916	001916	001916	001916	001916
33	• SCREW, #6-32 X .438 RHSLTP STLZI	2		001877	001877	004644	004644	004644	004644
34	• SCREW, .5-13 X 2 HH CAP-SS	2		001909	001909	001909	001909	001909	001909
35	• WASHER, SS-1.250D X .562ID X .078	2		002115	002115	002115	002115	002115	002115
36	• SCREW, .313-18 X 1 HH CAP-SS	4		002608	002608	002608	002608	002608	002608
37	• SCREW, .25-20 X 1 HHM-SS	4		007790	007790	007790	007790	007790	007790
□	REBUILD KIT			016103	016103	016103	019647	019647	019647

- Items included in Rebuild Kit.
- Not Shown in Illustration.

NOTES:

- 1) Mtr. Hsg., Brg., Stator & Term. (Item 13) is preassembled at the factory and must be replaced as a unit. Stator is permanently attached to the Motor Housing. Plug (Item 19); Seal, Thru Wall Term. (Item 20) and Bearing-Upper (Item 14) are replaceable.
- 2) When ordering these parts, customer must identify if switch is a General Electric Switch.
- 3) If an "X" follows Model No., or Date Mfg. on brass ID tag, consult factory for ordering any parts.
- 4) See FM0160 Parts Price Sheet for listing of parts prices.
- 5) "NA" indicates, not applicable.
- 6) When ordering specify either General Electric or Emerson motor.

REPLACEMENT PARTS LIST FOR MODEL "I293".

See page 10 for illustration.

REF. NO.	DESCRIPTION	QTY	NOTES	MODELS: I293-A				
				I293-A	I293-B	I293-C	I293-D	I293-E
1	HANDLE	1		217069	217069	217069	217069	217069
2	COVER & CORD	1	2	013883	013883	013883	013883	013883
3	COVER-MACH.	1	2	001077	001077	001077	001077	001077
4	• GASKET, CASE/COVER	1		001011	001011	001011	001011	001011
5	• WIRE PKG (5) WIRES	1		001070	001070	004749	004749	004749
6	CAPACITOR & CLAMP ASM	1		002381	002381	002381	002381	002381
7	HOUSING, MTR- & STR	1	1,5	005529	005529	005529	019654	019654
8	BEARING, SLEEVE	1		001012	001012	001012	N/A	N/A
	• BEARING, RADIAL			N/A	N/A	N/A	006703	006703
9	CORD TERM & SEAL ASM	1	2	005391	005391	005391	005391	005391
10	CLAMP, STRAIN RELIEF	1	2	001770	001770	001770	001770	001770
11	• SEAL, CORD-ASM & STRAIN RELIEF	1	2	094032	094032	094032	094032	094032
12	• PLUG, TEST-WHITE	2		034090	034090	034090	034090	034090
13	• SEAL, THRU WALL TERM	3		003402	003402	003402	003402	003402
14	ROTOR & BRG	1	5	001074	001074	001074	019650	019650
15	• BEARING, RADIAL	1		001013	001013	001013	010069	010069
16	• SEAL, MTR HSG	1		001014	001014	001014	001014	001014
17	• OIL, DIELECTRIC	1		003168	003168	003168	011066	011066
18	ADAPTER-MACH	1		001003	001003	001003	001003	001003
19	• SEAL, SHAFT	1		002430	002430	002430	002430	002430
20	FLANGE PKG 2" NPT	1		10-1305	10-1305	10-1305	10-1305	10-1305
20	FLANGE PKG 3" NPT	1		10-1306	10-1306	10-1306	10-1306	10-1306
21	IMPELLER "293" BRONZE	1		001036	004222	004222	004222	004216
	IMPELLER "293" CAST IRON			N/A	N/A	N/A	N/A	153999
22	HOUSING, PUMP-MACH	1		001005	001005	001005	001005	001005
23	• SCREW, #6-32 X .25 RHM SL TC STLGR	3		001877	001877	001877	001877	001877
24	• SCREW, #10-24 X .375 RHM-SL SS	2		001883	001883	001883	001883	001883
25	• SCREW, .25-20 X .75 HHM-SS	4		001916	001916	001916	001916	001916
26	• SCREW, .5-13 X 2 HH CAP-SS	2		001909	001909	001909	001909	001909
27	• WASHER, SS-1.250D X .562ID X .078	2		002115	002115	002115	002115	002115
28	• SCREW, .313-18 X 1 HH CAP-SS	4		002608	002608	002608	002608	002608
29	• SCREW, .25-20 X 1 HHM-SS	4		007790	007790	007790	007790	007790
□	REBUILD KIT			014193	014193	014193	019648	019648

- Items included in Rebuild Kit.
- Not Shown in Illustration.

NOTES:

- 1) Mtr. Hsg., Brg., Stator & Term. (Item 7) is preassembled at the factory and must be replaced as a unit. Stator is permanently attached to the Motor Housing. Plug (Item 12); Seal, Thru Wall Term. (Item 13) and Bearing-Upper (Item 8) are replaceable.
- 2) If an "X" follows Model No., or Date Mfg. on brass ID tag, consult factory for ordering any parts.
- 3) See FM0160 Parts Price Sheet for listing of parts prices.
- 4) "NA" indicates, not applicable.
- 5) When ordering specify either General Electric or Emerson motor.

REPLACEMENT PARTS LIST FOR MODEL "J293".

See page 11 for illustration.

REF. NO.	DESCRIPTION	QTY	NOTES	MODELS:				
				J293-A	J293-B	J293-C	J293-D	J293-E
				12/80 thru 1/85	2/85 thru 8/86	9/86 thru 7/09	8/09 thru 5/16	6/16 thru 6/24
1	HANDLE	1		217069	217069	217069	217069	217069
2	COVER & CORD	1	2	002963	002963	002963	002963	002963
3	COVER-MACH.	1	2	001077	001077	001077	001077	001077
4	• GASKET, CASE/COVER	1		001011	001011	001011	001011	001011
5	HOUSING, MTR-& STR	1	1,5	004443	004443	004443	019656	019656
6	BEARING, SLEEVE	1		001012	001012	001012	N/A	N/A
6	• BEARING, RADIAL	1		N/A	N/A	N/A	006703	006703
7	CLAMP, STRAIN RELIEF	1	2	001770	001770	001770	001770	001770
8	CORD TERM & SEAL ASM	1	2	005131	005131	005131	005131	005131
9	• SEAL, CORD-ASM & STRAIN RELIEF	1	2	011656	011656	011656	011656	011656
10	• PLUG, TEST-WHITE	2		034090	034090	034090	034090	034090
11	• SEAL, THRU WALL TERM	3		003402	003402	003402	003402	003402
12	ROTOR & BRG	1	5	004870	004870	004870	019651	019651
13	• BEARING, RADIAL	1		001013	001013	001013	010069	010069
14	• SEAL, MTR HSG	1		001014	001014	001014	001014	001014
15	• OIL, DIELECTRIC	1		003168	003168	003168	011066	011066
16	ADAPTER-MACH	1		001003	001003	001003	001003	001003
17	• SEAL, SHAFT	1		002430	002430	002430	002430	002430
18	IMPELLER ASM "293"	1		con. fact.	012218	012218	012218	012977
	IMPELLER ASM "293"		N/A	N/A	N/A	N/A	154000	
19	FLANGE PKG 2" NPT	1		10-1305	10-1305	10-1305	10-1305	10-1305
	FLANGE PKG 3" NPT		10-1306	10-1306	10-1306	10-1306	10-1306	
20	HOUSING, PUMP-MACH	1		001005	001005	001005	001005	001005
21	• SCREW, #6-32 X .25 RHM SL TC STLGR	1		001877	001877	001877	001877	001877
22	• SCREW, .25-20 X .75 HHM-SS	4		001916	001916	001916	001916	001916
23	• SCREW, .313-18 X 1 HH CAP-SS	4		002608	002608	002608	002608	002608
24	• SCREW, .5-13 X 2 HH CAP-SS	2		001909	001909	001909	001909	001909
25	• WASHER, SS-1.250D X .562ID X .078	2		002115	002115	002115	002115	002115
26	• SCREW, #10-24 X .375 RHM-SL SS	1		001883	001883	001883	001883	001883
27	• SCREW, .25-20 X 1 HHM-SS	4		007790	007790	007790	007790	007790
28	NUT, 7/16-20 ACORN SS	1		004351	004351	004351	004351	004351
29	SPRING, BEARING PRELOAD	1		N/A	N/A	N/A	N/A	N/A
□	REBUILD KIT			014193	014193	014193	019648	019648

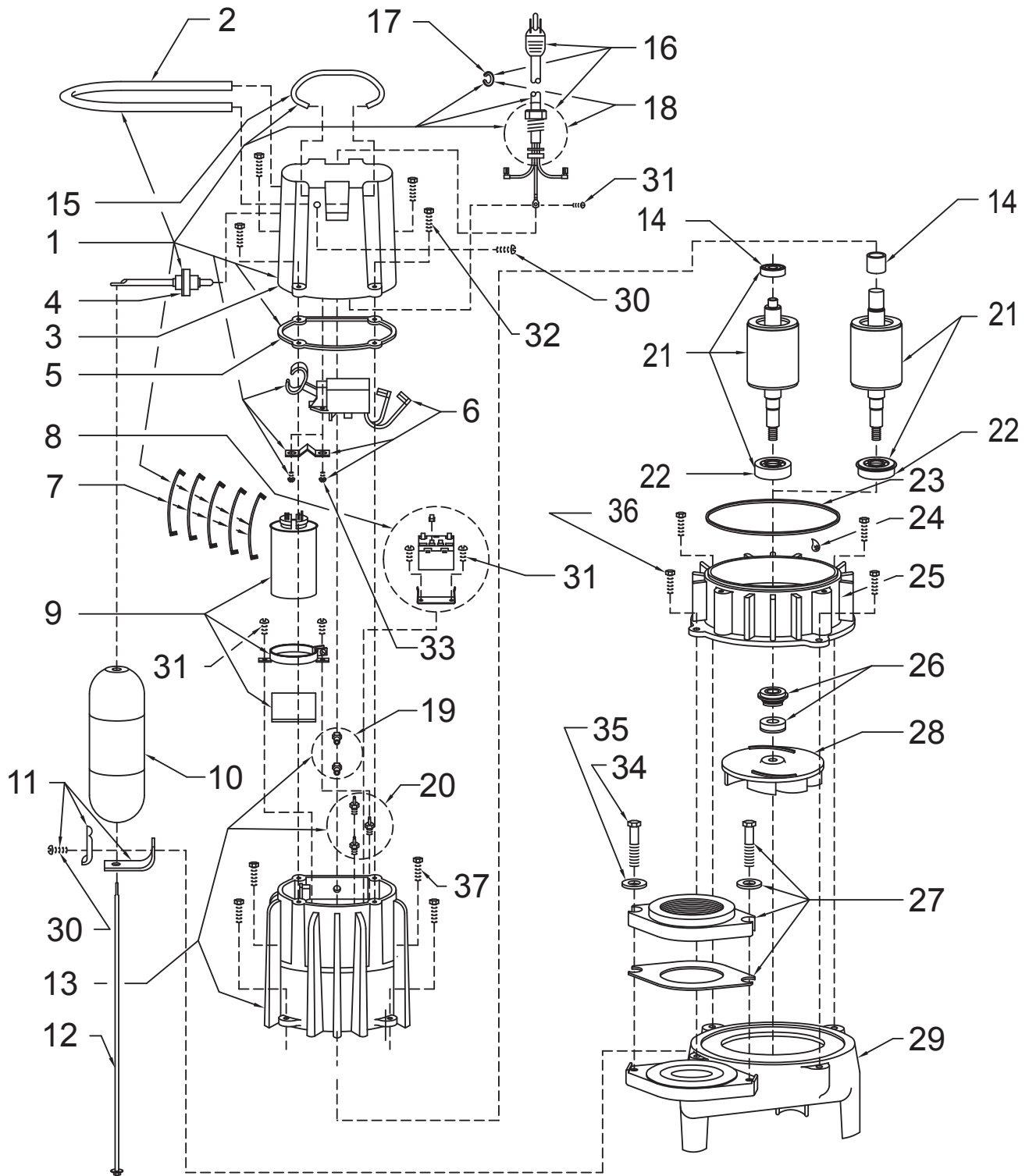
• Items included in Rebuild Kit.

□ Not Shown in Illustration.

NOTES:

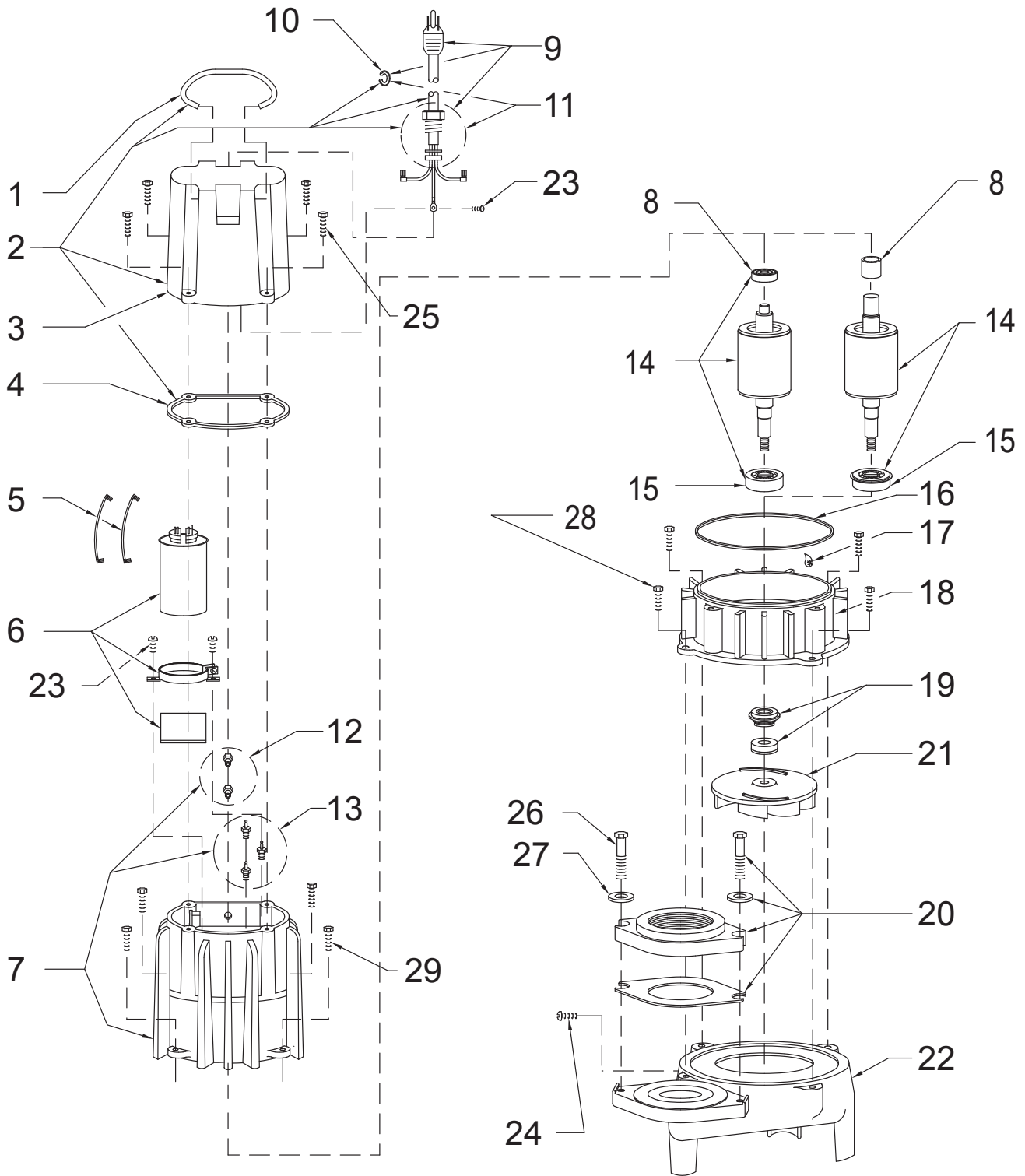
- 1) Mtr. Hsg., Brg., Stator & Term. (Item 5) is preassembled at the factory and must be replaced as a unit. Stator is permanently attached to the Motor Housing. Plug (Item 10); Seal, Thru Wall Term. (Item 11) and Bearing-Upper (Item 6) are replaceable.
- 2) If an "X" follows Model No., or Date Mfg. on brass ID tag, consult factory for ordering any parts.
- 3) See FM0160 Parts Price Sheet for listing of parts prices.
- 4) "NA" indicates, not applicable.
- 5) When ordering specify either General Electric or Emerson motor.

REPLACEMENT PARTS ILLUSTRATION FOR MODELS "D293" AND "H293".



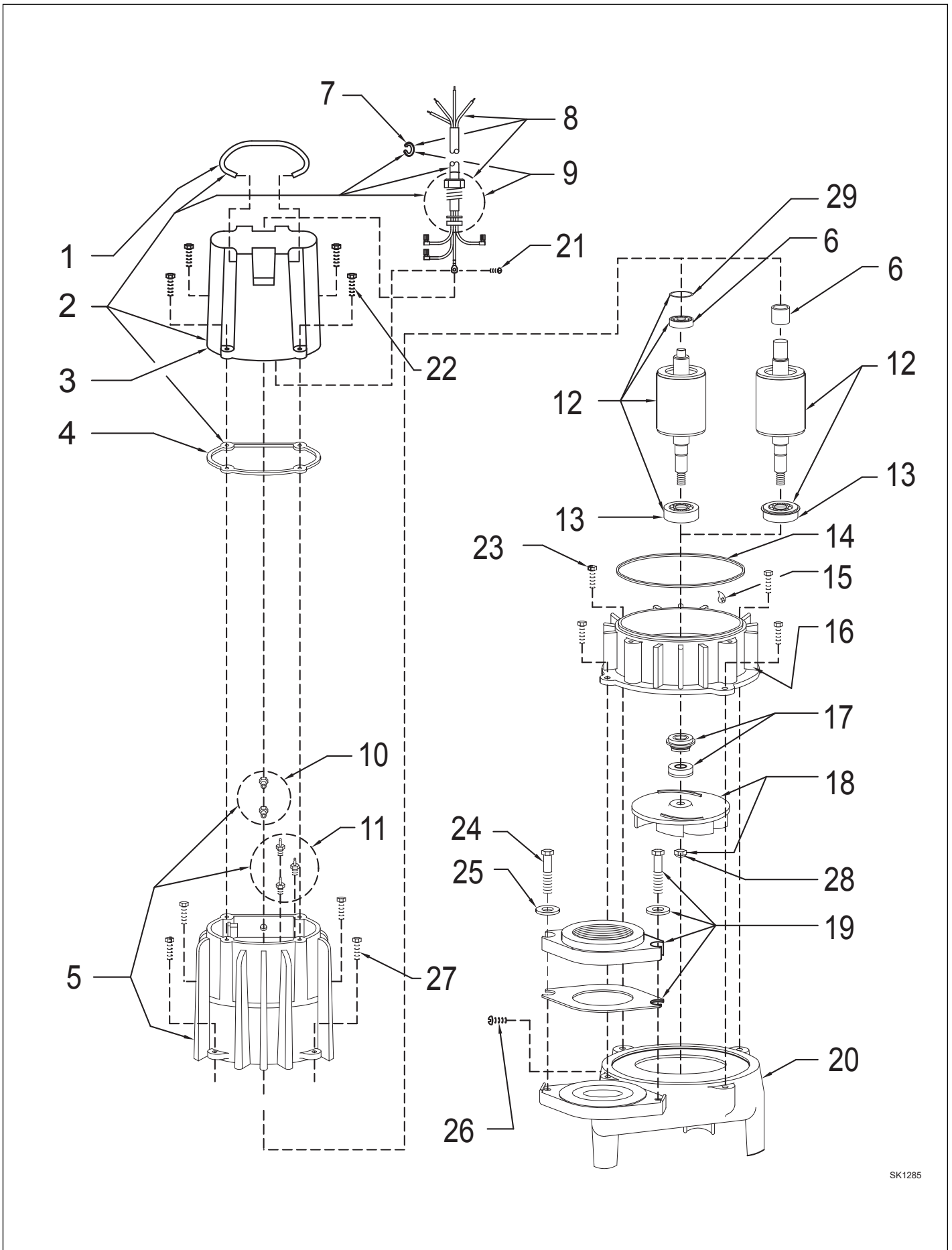
SK265

REPLACEMENT PARTS ILLUSTRATION FOR MODELS "E293" & "I293".



SK925

REPLACEMENT PARTS ILLUSTRATION FOR MODELS "F293", "G293", "BA293" & "J293".



SK1285

NOTES



MAIL TO: P.O. BOX 16347 • Louisville, KY 40256-0347
SHIP TO: 3649 Cane Run Road • Louisville, KY 40211-1961
Tel: (502) 778-2731 • 1 (800) 928-PUMP

Trusted. Tested. Tough.®

Visit our website:
zoellerpumps.com