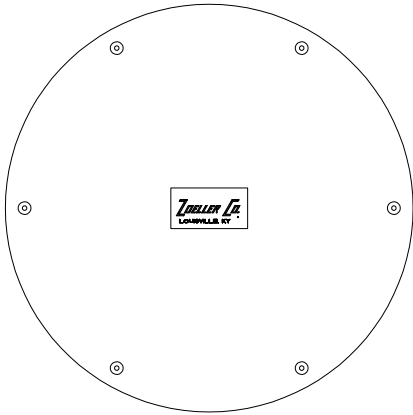
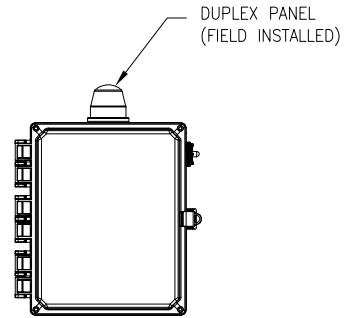
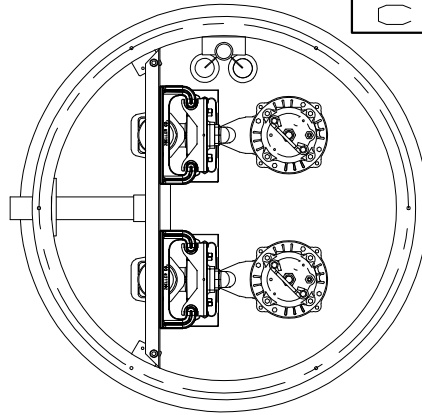


DRAWING REVISIONS

LTR	BY	DATE	ECO #	DESCRIPTION
A	JHR	01/08/16		RELEASE
B	JDC	02/17/20		REMOVE P/N'S ADD PANEL
C	JDC	02/23/20		REMOVE PIPE SIZES



SOLID FIBERGLASS COVER



DUPLEX PANEL
(FIELD INSTALLED)

1/8" 302 STAINLESS STEEL LIFTING CABLE

FLOAT TREE ASSEMBLY

FLEX BOOT FITTING

BALL VALVE

DISCHARGE PIPING

GUIDE RAILS

CHECK VALVE

Z-RAIL BASE ELBOW

FIBERGLASS AFD

PIPE SEAL
(FIELD INSTALLED)

PIPE SEAL
(FIELD INSTALLED)

ALARM/LAG
ON
OFF

36" MIN.

DRAWING DESCRIPTION:
BASIN & RAIL ASM.
DUPLEX/PREPACKAGED
2HP GRINDER PUMP SYSTEM
1.25-2" Z-RAIL

NUMBERS ENCLOSED IN A CIRCLE; ①, ARE CRITICAL TO QUALITY (CTQ) ITEMS. THIS INDICATES A CRUCIAL SPECIFICATION THAT MUST BE ROUTINELY VERIFIED.

© COPYRIGHT, 2020 :
ALL RIGHTS RESERVED BY ZOELLER.



TOLERANCES:
.X ±~ .XXXX±~
.XX ±~ ANGLES ±~
.XXX ±~ FRACTIONS ±~

DRAFTER: J.REICHARDT
DATE: 01/08/16

APPROVED: CHECKED:

ELECTRONIC SCALE: 1X
DO NOT SCALE PRINT
EXCEPT AS NOTED
DIMENSIONS ARE IN INCHES.
SHEET: 1 OF 1

PART NUMBER: ~
PART REVISION: ~
DRAWING NUMBER:
SK3111