

PUMP INFORMATION

- TYPE: DEWATERING
 GRINDER
 SOLIDS HANDLING

PUMP MODEL _____

_____ GPM TDH

_____ DISCHARGE

_____ HP RPM

_____ AMPS (FLA)

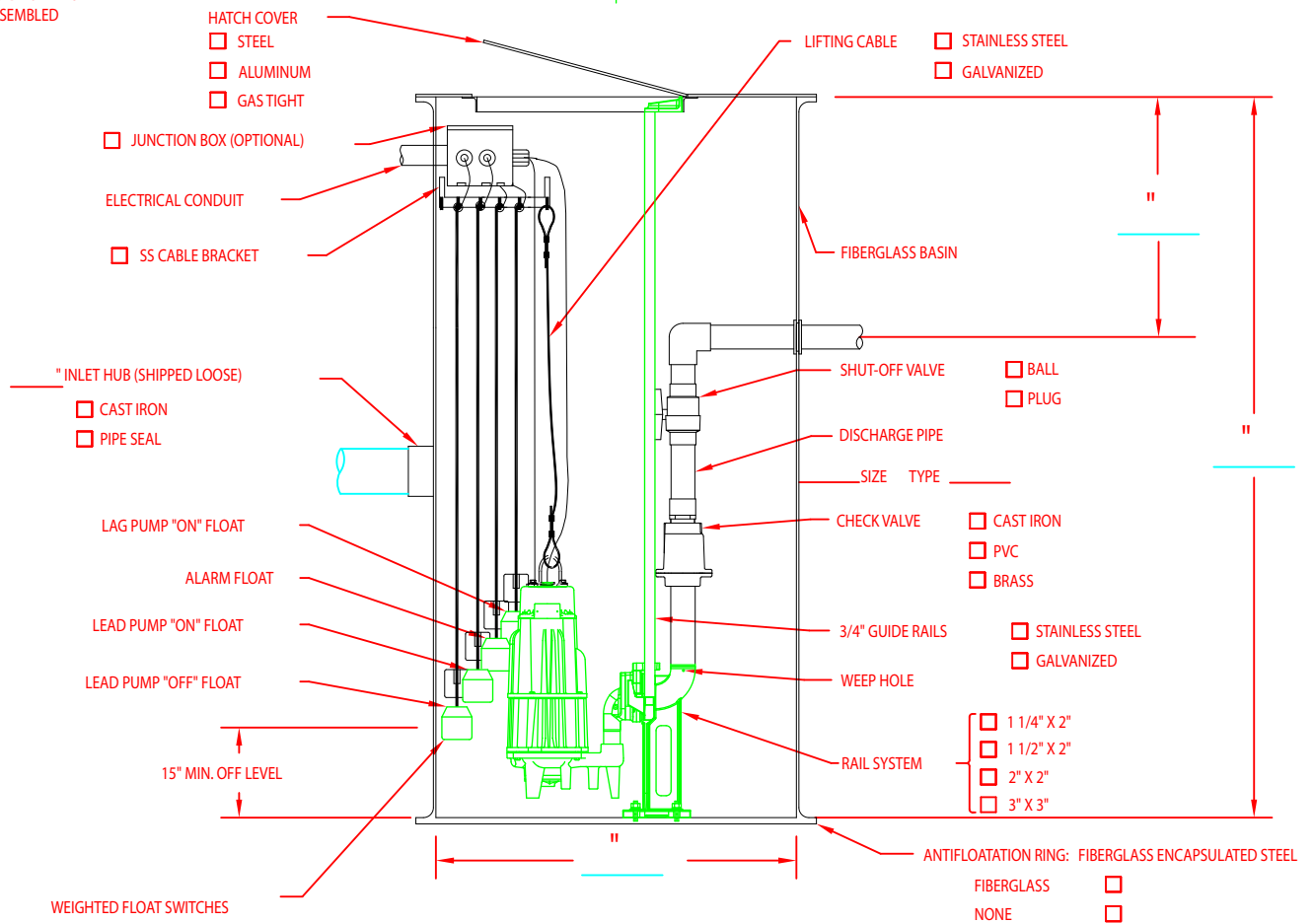
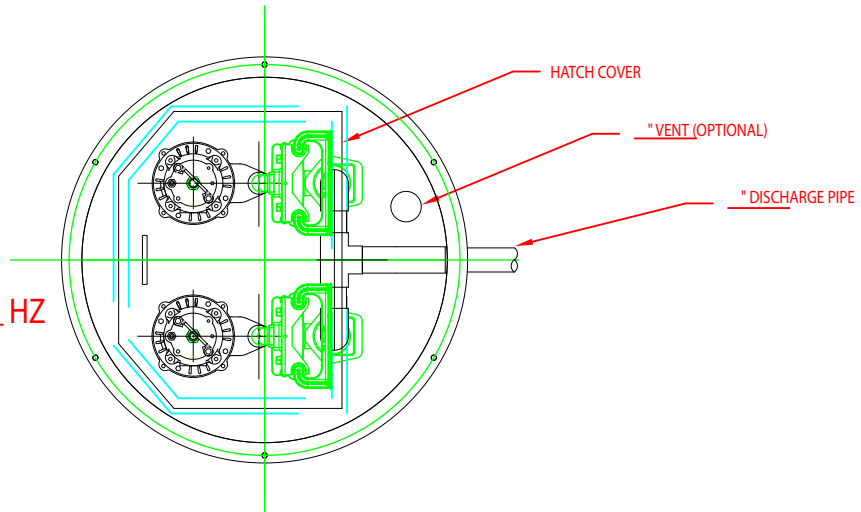
_____ VOLTS _____ PHASE _____ HZ

INSTALLATION

- FACTORY PRE-PACKAGED

- FIELD ASSEMBLED

* DISCHARGE PIPING, FITTINGS & RAILS SUPPLIED BY OTHERS IF FIELD ASSEMBLED



THE INFORMATION ON THESE DRAWINGS OR WEB PAGES IS MADE AVAILABLE FOR YOUR USE. HOWEVER, YOU USE THIS INFORMATION AT YOUR OWN RISK. WE BELIEVE THE INFORMATION TO BE CORRECT AND ACCURATE AT THE TIME OF ISSUE. ZOELLER COMPANY ASSUMES NO LIABILITY, EXPRESSED OR IMPLIED, RESULTING IN YOUR ACCESSING OR USING THIS INFORMATION. DUE TO CHANGES AND/OR DOWNLOAD PROBLEMS, IT IS YOUR RESPONSIBILITY AND YOU AGREE TO BE SOLELY RESPONSIBLE TO VERIFY THAT THE INFORMATION IS CORRECT AND ACCURATE FOR YOUR PURPOSES.

SK2425