

Product information presented here reflects conditions at time of publication. Consult factory regarding discrepancies or inconsistencies.

MAIL TO: P.O. BOX 16347 • Louisville, KY 40256-0347
SHIP TO: 3649 Cane Run Road • Louisville, KY 40211-1961
TEL: (502) 778-2731 • 1 (800) 928-PUMP • FAX: (502) 774-3624

Visit our website:
zoellerpumps.com

REPLACEMENT PARTS LIST FOR MODELS:

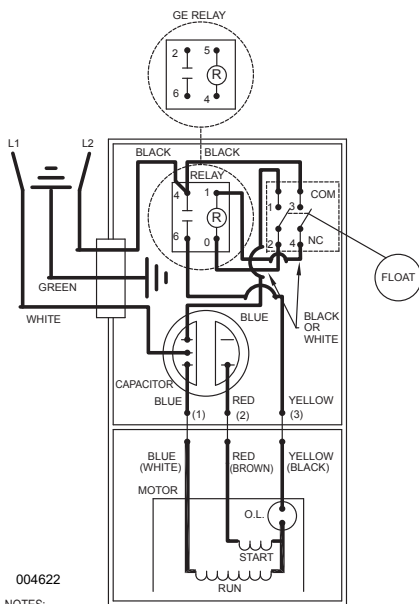
H186 AUTOMATIC 200V/1PH
I186 NONAUTOMATIC 200V/1PH
J186 NONAUTOMATIC 200V/3PH
F186 NONAUTOMATIC 230V/3PH
G186 NONAUTOMATIC 460V/3PH
BA186 NONAUTOMATIC 575V/3PH

Consult factory for all other models.

TO ORDER REPLACEMENT PARTS:

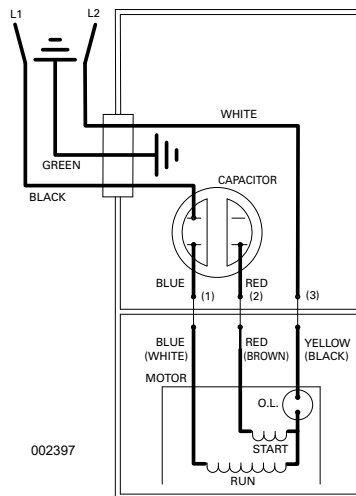
PLEASE FURNISH THE
FOLLOWING INFORMATION:

- Model number
- Part number of pump
- Part number and description of part

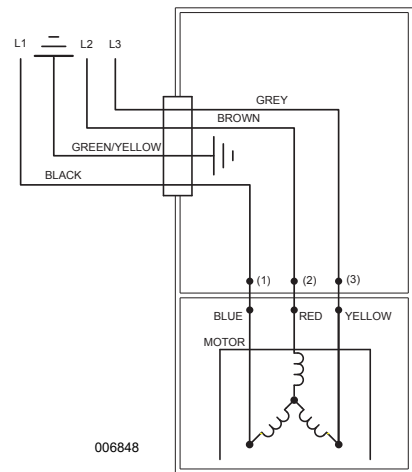


NOTES:
INSULATORS REQUIRED ON GE RELAY TERMINALS 2 & 5;
OMRON RELAY TERMINALS 1 & 4.

WIRING DIAGRAM FOR MODEL
"H186" All Revisions
7/89 thru Current



WIRING DIAGRAM FOR MODEL
"I186" All Revisions
7/89 thru Current



WIRING DIAGRAM FOR MODELS
"J186" All Revisions
"F186" All Revisions
"G186" All Revisions
"BA186" All Revisions

REPLACEMENT PARTS LIST FOR MODELS "H186"

See page 7 for "H186" illustration.

REF. NO.	DESCRIPTION	QTY	NOTES	MODELS: H186-A				
				H186-B	H186-C	H186-D	H186-E	
				7/89 thru 1/91	2/91 thru 4/03	5/03 thru 5/08	6/08 thru 1/16	2/16 thru Current
1	CASE SWITCH & CORD	1	2,3	004748	005125	014156	014156	014156
2	• HANDLE	1		217069	217069	217069	217069	217069
3	CORD TERM & SEAL	1	3	002429	005125	014172	014172	014172
4	CLAMP, STRAIN RELIEF	1	3	001770	NA	013764	013764	013764
5	• SEAL, CORD-ASM & STR RLF	1	3	094032	004375	015634	015634	015634
6	CASE-MACH	1	3	004614	004633	014154	014154	014154
7	• GUARD	1		001023	001023	001023	001023	001023
8	• ARM & SEAL ASM	1	2	004745	004745	004745	004745	004745
9	• GASKET, CASE/COVER	1		001011	001011	001011	001011	001011
10	SWITCH ASM	1	2	004744	004744	004744	004744	004744
11	• WIRE PKG (5) WIRES	1		004751	004751	004751	004751	004751
12	CAPACITOR & CLAMP ASM	1		006135	006135	006135	006135	006135
13	RELAY	1		297005	217093	217093	217093	153833
14	FLOAT, PLASTIC	1		094039	094039	094039	094039	094039
15	GUIDE ASM, FLT ROD	1		001072	001072	001072	001072	001072
16	ROD ASM, FLT	1		003083	003083	003083	003083	003083
17	HOUSING, MTR & STR	1	1,6	005204	005204	005204	019234	019234
18	BEARING, SLEEVE	1		001012	001012	001012	NA	NA
	BEARING, UPPER			NA	NA	NA	006703	006703
19	• PLUG, TEST-WHITE	2		034090	034090	034090	034090	034090
20	• SEAL, THRU WALL TERM	3		003402	003402	003402	003402	003402
21	ROTOR & BRG	1	6	005205	005205	005205	019225	019225
22	• BEARING, RADIAL	1		001013	001013	001013	010069	010069
23	• SEAL, MTR HSG	1		001014	001014	001014	001014	001014
24	• OIL, DIELECTRIC	1		003168	003168	003168	011066	011066
25	ADAPTER-MACH	1		001003	001003	001003	001003	001003
26	• SEAL, SHAFT	1		002430	002430	002430	002430	002430
27	FLANGE PKG 2" NPT	1		217024	217024	10-1305	10-1305	10-1305
	FLANGE PKG 3" NPT	1		317024	317024	10-1306	10-1306	10-1306
28	IMPELLER "186" BRONZE	1		004207	004207	004207	004207	004207
	IMPELLER "186" CAST IRON			NA	NA	NA	NA	157833
29	HOUSING, PUMP-MACH	1		004214	004214	004214	004214	004214
30	STRAINER PLATE	1		137008	137008	137008	137008	137008
31	• SCREW, .25-20 X .75 HHM-SS	4		001916	001916	001916	001916	001916
32	• SCREW, .313-18 X 1" HH CAP-SS	4		002608	002608	002608	002608	002608
33	• SCREW, #10-24 X.375 RHM-SL SS	2		001883	001883	001883	001883	001883
34	• SCREW, #6-32X.438 RHLSTP STLZI	2		004644	004644	004644	004644	004644
35	• SEM, 10-24X.375HH-SL TC.688 WASH	2		002000	002000	002000	002000	002000
36	• WASHER, SS-1.25"ODX.562"IDX.078	2		002115	002115	002115	002115	002115
37	• SCREW, .5-13 X 2 HH CAP-SS	2		001909	001909	001909	001909	001909
38	• SCREW, #6-32X.25RHM SL TC STLGR	5		001877	001877	001877	001877	001877
39	• SCREW, .25-20 X 1" HHM-SS	4		007790	007790	007790	007790	007790
□	REBUILD KIT			016103	016103	016103	019647	019647

• Items included in Rebuild Kit. □ Not shown in illustration.

NOTES:

- 1) Mtr. Hsg., Brg., Stator & Term. (Item 17) is preassembled at the factory and must be replaced as a unit. Stator is permanently attached to the Motor Housing. Plug (Item 19); Seal Thru Wall Term. (Item 20) and Bearing - Upper (Item 18) are replaceable.
- 2) When ordering these parts, customer must identify if switch is a General Electric switch.
- 3) If an "X" follows Model No., or Date Mfg. on brass ID tag, consult factory for ordering of this part.
- 4) See FM0160 Parts Price Sheet for listing of parts prices.
- 5) "NA" indicates, not applicable.
- 6) When ordering these parts, customer must identify General Electric or Emerson motor.

REPLACEMENT PARTS LIST FOR MODELS "I186"

See page 7 for "I186" illustration.

REF. NO.	DESCRIPTION	QTY	NOTES	MODELS: I186-A			
				I186-B	I186-C	I186-D	
				7/89 thru 1/91	2/91 thru 4/03	5/03 thru 5/08	6/08 thru Current
1	• HANDLE	1		217069	217069	217069	217069
2	COVER & CORD	1	2	002401	004097	014159	014159
3	CORD TERM & SEAL	1	2	002402	004376	014173	014173
4	CLAMP, STRAIN RELIEF	1	2	001770	NA	013764	013764
5	• SEAL, CORD-ASM & STRAIN RELIEF	1	2	094032	004375	015634	015634
6	COVER-MACH	1	2	001077	004372	014150	014150
7	• GASKET, CASE/COVER	1		001011	001011	001011	001011
8	• WIRE PKG (5) WIRES	1		004751	004751	004751	004751
9	CAPACITOR & CLAMP ASM	1		006135	006135	006135	006135
10	HOUSING, MTR & STR	1	1,5	005204	005204	005204	019234
11	BEARING, SLEEVE	1		001012	001012	001012	NA
	BEARING, UPPER			NA	NA	NA	006703
12	• PLUG, TEST-WHITE	2		034090	034090	034090	034090
13	• SEAL, THRU WALL TERM	3		003402	003402	003402	003402
14	ROTOR & BRG	1	5	005205	005205	005205	019225
15	• BEARING, RADIAL	1		001013	001013	001013	010069
16	• SEAL, MTR HSG	1		001014	001014	001014	001014
17	OIL, DIELECTRIC	1		003168	003168	003168	011066
18	ADAPTER-MACH	1		001003	001003	001003	001003
19	• SEAL, SHAFT	1		002430	002430	002430	002430
20	FLANGE PKG 2" NPT	1		217024	217024	10-1305	10-1305
	FLANGE PKG 3" NPT	1		317024	317024	10-1306	10-1306
21	IMPELLER "186" BRONZE	1		004207	004207	004207	004207
	IMPELLER "186" CAST IRON			NA	NA	NA	157833
22	HOUSING, PUMP-MACH	1		004214	004214	004214	004214
23	STRAINER PLATE	1		137008	137008	137008	137008
24	• SCREW, .25-20 X .75 HHM-SS	4		001916	001916	001916	001916
25	• SCREW, .313-18 X 1"HH CAP-SS	4		002608	002608	002608	002608
26	• SCREW, #10-24 X.375 RHM-SL SS	2		001883	001883	001883	001883
27	• SEM,10-24X.375HH-SL TC.688 WASH	2		002000	002000	002000	002000
28	• SCREW, 5-13 X 2 HH CAP-SS	2		001909	001909	001909	001909
29	• WASHER, SS-1.25"ODX.562"IDX.078	2		002115	002115	002115	002115
30	• SCREW, #6-32X.25RHM SL TC STLGR	4		001877	001877	001877	001877
31	• SCREW, .25-20 X 1" HHM-SS	4		007790	007790	007790	007790
□	REBUILD KIT			014193	014193	014193	019648

• Items included in Rebuild Kit.

□ Not shown in illustration.

NOTES:

- 1) Mtr. Hsg., Brg., Stator & Term. (Item 10) is preassembled at the factory and must be replaced as a unit. Stator is permanently attached to the Motor Housing. Plug (Item 12); Seal Thru Wall Term. (Item 13) and Bearing - Upper (Item 15) are replaceable.
- 2) If an "X" follows Model No., or Date Mfg. on brass ID tag, consult factory for ordering of this part.
- 3) See FM0160 Parts Price Sheet for listing of parts prices.
- 4) "NA" indicates, not applicable.
- 5) When ordering these parts, customer must identify General Electric or Emerson motor.

REPLACEMENT PARTS LIST FOR MODELS "J186"

See back page for "J186" illustration.

REF. NO.	DESCRIPTION	QTY	NOTES	MODELS:	
				J186-A	J186-B
1	• HANDLE	1		217069	217069
2	COVER & CORD	1	2	014161	014161
3	COVER-MACH	1	2	014150	014150
4	• GASKET, CASE/COVER	1		001011	001011
5	HOUSING, MTR & STR	1	1,5	005132	019235
6	BEARING, SLEEVE	1		001012	NA
	BEARING, UPPER			NA	006703
7	CLAMP, STRAIN RELIEF	1	2	013764	013764
8	CORD, TERM & SEAL	1	2	014177	014177
9	• SEAL, CORD-ASM & STR RLF	1	2	015634	015634
10	• PLUG, TEST-WHITE	2		034090	034090
11	• SEAL THRU WALL TERM	3		003402	003402
12	ROTOR & BRG	1	5	004579	019226
13	• BEARING, RADIAL	1		001013	010069
14	• SEAL, MTR HSG	1		001014	001014
15	• OIL, DIELECTRIC	1		003168	011066
16	ADAPTER-MACH	1		001003	001003
17	• SEAL, SHAFT	1		002430	002430
18	IMPELLER ASM "186" BRONZE	1		005201	005201
	IMPELLER "186" CAST IRON			NA	157834
19	FLANGE PKG 2" NPT	1		10-1305	10-1305
	FLANGE PKG 3" NPT	1		10-1306	10-1306
20	HOUSING, PUMP-MACH	1		004214	004214
21	• SCREW, #6-32X.25RHM SL TC STLGR	1		001877	001877
22	• SCREW, .25-20 X .75 HHM-SS	4		001916	001916
23	• SCREW, .313-18 X 1"HH CAP-SS	4		002608	002608
24	• SCREW, .5-13 X 2 HH CAP-SS	2		001909	001909
25	• WASHER, SS-1.25"ODX.562"IDX.078	2		002115	002115
26	• SCREW, #10-24 X.375 RHM-SL SS	1		001883	001883
27	STRAINER PLATE	1		137008	137008
28	• SEM,10-24X.375HH-SL TC.688 WASH	2		002000	002000
29	• SCREW, .25-20 X 1 HHM-SS	4		007790	007790
30	• NUT, 7/16-20 ACORN SS	1		004351	004351
□	REBUILD KIT			014193	019648

• Items included in Rebuild Kit.

□ Not shown in illustration.

NOTES:

- 1) Mtr. Hsg., Brg., Stator & Term. (Item 5) is preassembled at the factory and must be replaced as a unit. Stator is permanently attached to the Motor Housing. Plug (Item 10); Seal Thru Wall Term. (Item 11) and Bearing - Upper (Item 6) are replaceable.
- 2) If an "X" follows Model No., or Date Mfg. on ID tag, consult factory for ordering of this part.
- 3) See FM0160 Parts Price Sheet for listing of parts prices.
- 4) "NA" indicates, not applicable.
- 5) When ordering specify either GE or Emerson Motor.

REPLACEMENT PARTS LIST FOR MODELS "F186"

See back page for "F186" illustration.

REF. NO.	DESCRIPTION	MODELS:		F186-A	F186-B
		QTY	NOTES	7/89 thru 5/08	6/08 thru Current
1	• HANDLE	1		217069	217069
2	COVER & CORD	1	2	002963	002963
3	COVER-MACH	1	2	001077	001077
4	• GASKET, CASE/COVER	1		001011	001011
5	HOUSING, MTR & STR	1	1,5	005136	019236
6	BEARING, SLEEVE	1		001012	NA
	BEARING, UPPER			NA	006703
7	CLAMP, STRAIN RELIEF	1	2	001770	001770
8	CORD, TERM & SEAL	1	2	005131	005131
9	• SEAL, CORD-ASM & STR RLF	1	2	011656	011656
10	• PLUG, TEST-WHITE	2		034090	034090
11	• SEAL THRU WALL TERM	3		003402	003402
12	ROTOR & BRG	1	5	004579	019226
13	• BEARING, RADIAL	1		001013	010069
14	• SEAL, MTR HSG	1		001014	001014
15	• OIL, DIELECTRIC	1		003168	011066
16	ADAPTER-MACH	1		001003	001003
17	• SEAL, SHAFT	1		002430	002430
18	IMPELLER ASM "186" BRONZE	1		005201	005201
	IMPELLER "186" CAST IRON			NA	157834
19	FLANGE PKG 2" NPT	1		10-1305	10-1305
	FLANGE PKG 3" NPT	1		10-1306	10-1306
20	HOUSING, PUMP-MACH	1		004214	004214
21	• SCREW, #6-32X.25RHM SL TC STLGR	1		001877	001877
22	• SCREW, .25-20 X .75 HHM-SS	4		001916	001916
23	• SCREW, .313-18 X 1"HH CAP-SS	4		002608	002608
24	• SCREW, .5-13 X 2 HH CAP-SS	2		001909	001909
25	• WASHER, SS-1.25"ODX.562"IDX.078	2		002115	002115
26	• SCREW, #10-24 X.375 RHM-SL SS	1		001883	001883
27	STRAINER PLATE	1		137008	137008
28	• SEM,10-24X.375HH-SL TC.688 WASH	2		002000	002000
29	• SCREW, .25-20 X 1 HHM-SS	4		007790	007790
30	• NUT, 7/16-20 ACORN SS	1		004351	004351
□	REBUILD KIT			014193	019648

• Items included in Rebuild Kit.

□ Not shown in illustration.

NOTES:

- 1) Mtr. Hsg., Brg., Stator & Term. (Item 5) is preassembled at the factory and must be replaced as a unit. Stator is permanently attached to the Motor Housing. Plug (Item 10); Seal, Thru Wall Term. (Item 11) and Bearing - Upper (Item 6) are replaceable.
- 2) If an "X" follows Model No., or Date Mfg. on ID tag, consult factory for ordering of this part.
- 3) See FM0160 Parts Price Sheet for listing of parts prices.
- 4) "NA" indicates, not applicable.
- 5) When ordering specify either GE or Emerson Motor.

REPLACEMENT PARTS LIST FOR MODELS "G186"

See back page for "G186" illustration.

REF. NO.	DESCRIPTION	QTY	NOTES	MODELS:		9/14 thru Current
				G186-A	G186-B	
1	• HANDLE	1		217069	217069	217069
2	COVER & CORD	1	2	002963	002963	002963
3	COVER-MACH	1	2	001077	001077	001077
4	• GASKET, CASE/COVER	1		001011	001011	001011
5	HOUSING, MTR & STR	1	1,5	004578	019237	019238
6	BEARING, SLEEVE	1		001012	NA	NA
	BEARING, UPPER			NA	006703	006703
7	CLAMP, STRAIN RELIEF	1	2	001770	001770	001770
8	CORD, TERM & SEAL	1	2	005131	005131	005131
9	• SEAL, CORD-ASM & STR RLF	1	2	011656	011656	011656
10	• PLUG, TEST-WHITE	2		034090	034090	034090
11	• SEAL THRU WALL TERM	3		003402	003402	003402
12	ROTOR & BRG	1	5	004579	019226	019226
13	• BEARING, RADIAL	1		001013	010069	010069
14	• SEAL, MTR HSG	1		001014	001014	001014
15	• OIL, DIELECTRIC	1		003168	011066	011066
16	ADAPTER-MACH	1		001003	001003	001003
17	• SEAL, SHAFT	1		002430	002430	002430
18	IMPELLER ASM "186" BRONZE	1		005201	005201	005201
	IMPELLER "186" CAST IRON			NA	157834	157834
19	FLANGE PKG 2" NPT	1		10-1305	10-1305	10-1305
	FLANGE PKG 3" NPT	1		10-1306	10-1306	10-1306
20	HOUSING, PUMP-MACH	1		004214	004214	004214
21	• SCREW, #6-32X.25RHM SL TC STLGR	1		001877	001877	001877
22	• SCREW, .25-20 X .75 HHM-SS	4		001916	001916	001916
23	• SCREW, .313-18 X 1" HH CAP-SS	4		002608	002608	002608
24	• SCREW, .5-13 X 2 HH CAP-SS	2		001909	001909	001909
25	• WASHER, SS-1.25"ODX.562"IDX.078	2		002115	002115	002115
26	• SCREW, #10-24 X.375 RHM-SL SS	1		001883	001883	001883
27	STRAINER PLATE	1		137008	137008	137008
28	• SEM,10-24X.375HH-SL TC.688 WASH	2		002000	002000	002000
29	• SCREW, .25-20 X 1 HHM-SS	4		007790	007790	007790
30	• NUT, 7/16-20 ACORN SS	1		004351	004351	004351
□	REBUILD KIT			014193	019648	019648

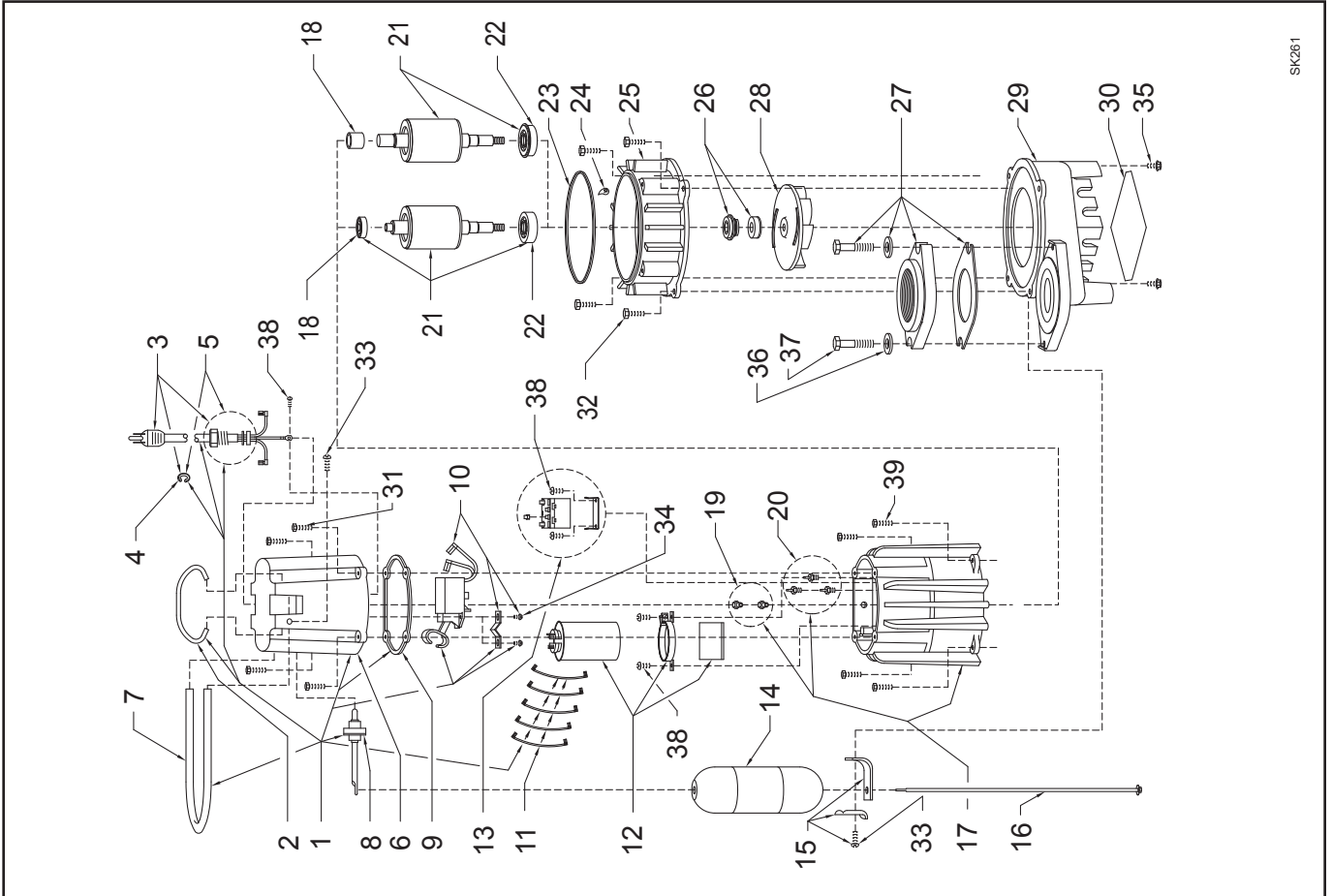
• Items included in Rebuild Kit.

□ Not shown in illustration.

NOTES:

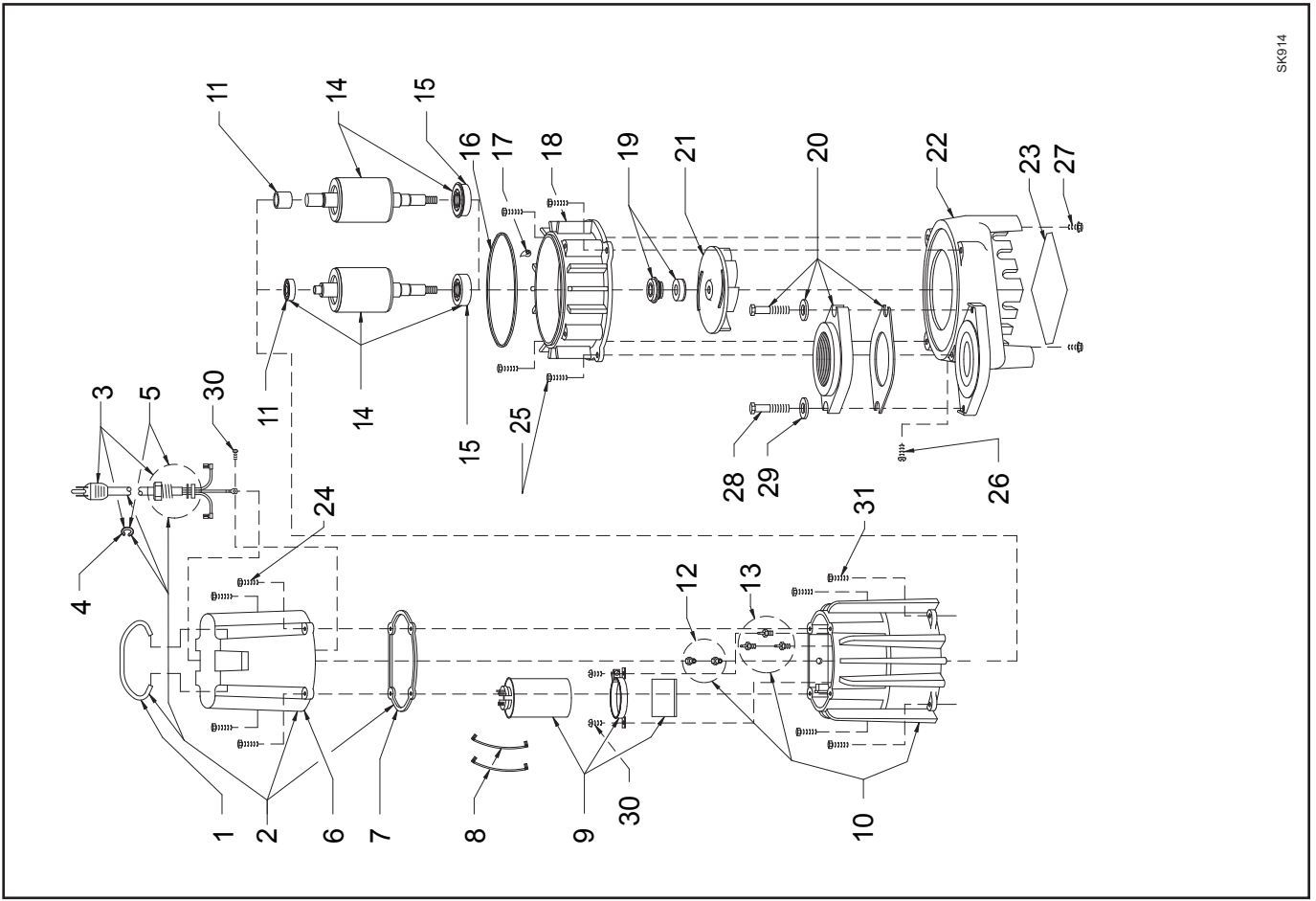
- 1) Mtr. Hsg., Brg., Stator & Term. (Item 5) is preassembled at the factory and must be replaced as a unit. Stator is permanently attached to the Motor Housing. Plug (Item 10); Seal, Thru Wall Term. (Item 11) and Bearing - Upper (Item 6) are replaceable.
- 2) If an "X" follows Model No., or Date Mfg. on ID tag, consult factory for ordering of this part.
- 3) See FM0160 Parts Price Sheet for listing of parts prices.
- 4) "NA" indicates, not applicable.
- 5) When ordering specify either GE or Emerson Motor.

REPLACEMENT PARTS ILLUSTRATION FOR MODEL "H186"



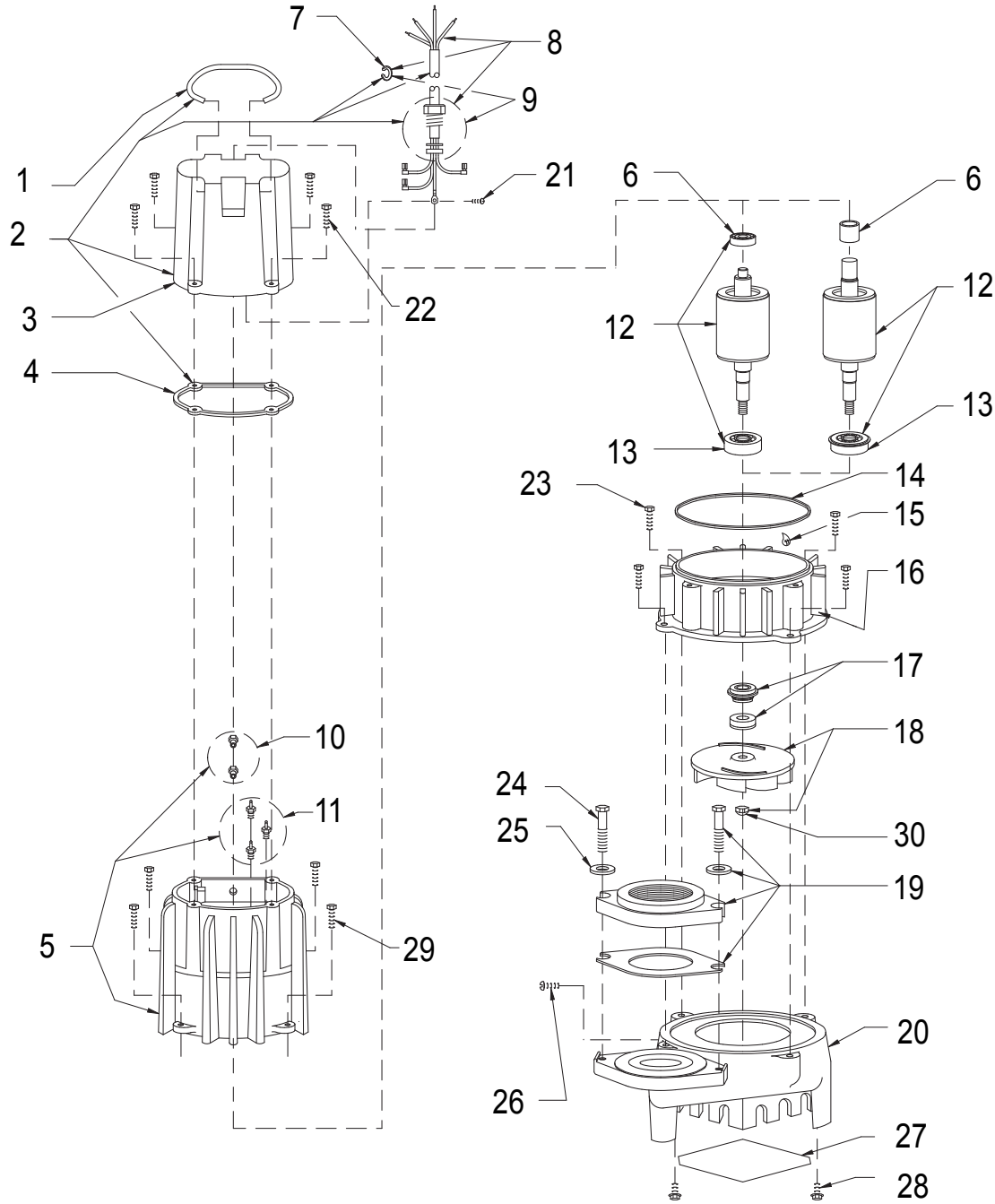
SK261

REPLACEMENT PARTS ILLUSTRATION FOR MODEL "I186"



SK914

REPLACEMENT PARTS ILLUSTRATION FOR MODELS "J", "F", "G" & "BA186"



SK1286



MAIL TO: P.O. BOX 16347 • Louisville, KY 40256-0347
 SHIP TO: 3649 Cane Run Road • Louisville, KY 40211-1961
 (502) 778-2731 • 1 (800) 928-PUMP • FAX (502) 774-3624

Trusted. Tested. Tough.®

Visit our website:
zoellerpumps.com