

Product information presented here reflects conditions at time of publication. Consult factory regarding discrepancies or inconsistencies.



MAIL TO: P.O. BOX 16347 • Louisville, KY 40256-0347
 SHIP TO: 3649 Cane Run Road • Louisville, KY 40211-1961
 TEL: (502) 778-2731 • 1 (800) 928-PUMP • FAX: (502) 774-3624

Visit our website:
 zoellerpumps.com

REPLACEMENT PARTS LIST FOR MODELS:

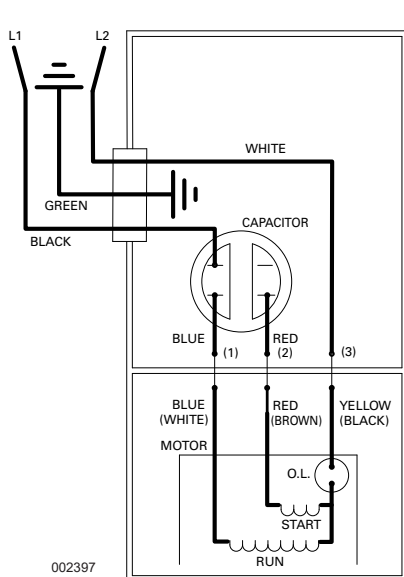
- E404 NONAUTOMATIC/SINGLE SEAL/230V/1PH
- WD404 AUTOMATIC W/WIRED IN FLOAT SWITCH/SINGLE SEAL/230V/1PH
- I404 NONAUTOMATIC/SINGLE SEAL/200V/1PH
- J404 NONAUTOMATIC/SINGLE SEAL/200V/3PH
- F404 NONAUTOMATIC/SINGLE SEAL/230V/3PH
- G404 NONAUTOMATIC/SINGLE SEAL/460V/3PH
- BA404 NONAUTOMATIC/SINGLE SEAL/575V/3PH

Consult factory for all other models.

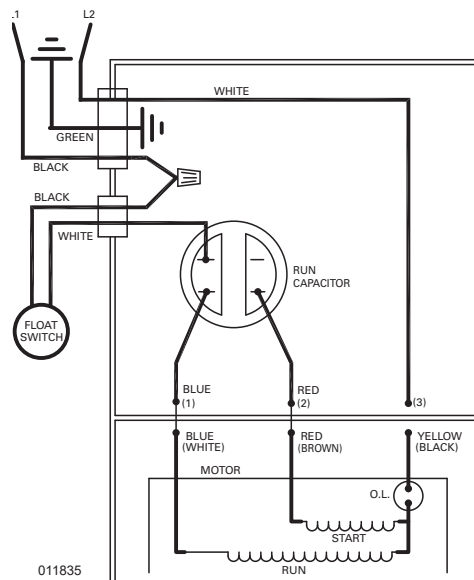
TO ORDER REPLACEMENT PARTS:

PLEASE FURNISH THE FOLLOWING INFORMATION:

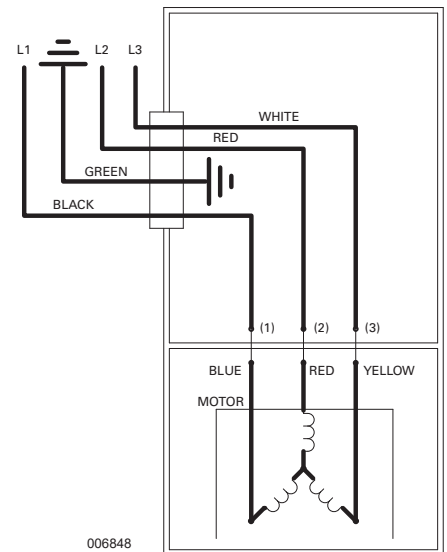
- Model number.
- Part number of pump
- Part number and description of part



WIRING DIAGRAM FOR MODELS
 E404 AND I404
 ALL REVISIONS



WIRING DIAGRAM FOR MODELS
 WD404
 ALL REVISIONS



WIRING DIAGRAM FOR MODELS
 J404, F404, G405 AND BA404
 ALL REVISIONS

REPLACEMENT PARTS LIST FOR MODELS "E404"

See back page for illustration.

MODELS:				E404-A	E404-B	E404-C	E404-D
REF NO.	DESCRIPTION	QTY	NOTES	1/98 thru 6/98	7/98 thru 4/03	5/03 thru 5/10	6/10 thru Current
1	COVER & CORD ASM.	1	3	006098	012463	014162	014162
2	BOLT, EYE	1		005926	N/A	N/A	N/A
3	COVER-MACH.	1	3	005864	004372	014150	014150
4	• GASKET, CASE/COVER	1		001011	001011	001011	001011
5	RELAY, 230V	0		N/A	N/A	N/A	N/A
6	• WIRE PKG (5) WIRES 1.5/2 HP	1		004751	004751	004751	004751
7	CAPACITOR & CLAMP ASM.	1		010666	010666	010666	010666
8	HOUSING, MTR. & STR.	1	1 & 2	006097	006097	006097	018909
9	BEARING, SLEEVE	1		001012	001012	001012	N/A
	BEARING, RADIAL			N/A	N/A	N/A	006703
10	• PLUG, TEST-WHITE	2		034090	034090	034090	034090
11	• SEAL, THRU WALL TERM.	3		003402	003402	003402	003402
12	ROTOR & BRG.	1	2	006947	006947	006947	150882
13	• BEARING, RADIAL	1		001013	001013	001013	010069
14	• SEAL, MTR. HSG.	1		001014	001014	001014	001014
15	• OIL, DIELECTRIC	1		002383	002383	002383	011066
16	ADAPTER-MACH.	1		001003	001003	001003	001003
17	• WASHER, SEAL LOCATING & SNAP RING	0		N/A	N/A	N/A	N/A
18	• SEAL, SHAFT	1		002430	002430	002430	002430
19	ADAPTER-MACH. LOWER	0		N/A	N/A	N/A	N/A
20	IMPELLER ASM.	1		012194	012194	012194	012194
21	• KEY, WOODRUFF #404	1		006841	006841	006841	006841
22	WASHER, 7/16 STD. FLAT SS	1		006847	006847	006847	006847
23	NUT, 7/16-20 SS HEX	1		006846	006846	006846	006846
24	HOUSING, PUMP-MACH.	1		011784	011784	011784	011784
25	CORD TERM. & SEAL POWER	1	3	004376	004376	014175	014175
26	• SEAL, CORD ASM. & STR. RLF.	1	3	004375	004375	015634	015634
27	CLAMP, STRAIN RELIEF	1		N/A	N/A	013764	013764
28	CLAMP, #6 AUTO-SS	0		N/A	N/A	N/A	N/A
29	CORD, TERM. & SEAL CONTROL	0		N/A	N/A	N/A	N/A
30	• SEAL, CORD-ASM. & STR. RLF. CONTROL CORD	0		N/A	N/A	N/A	N/A
31	CLAMP, STRAIN RELIEF	0		N/A	N/A	N/A	N/A
32	• SCREW, #6-32X.25RHM SL TC STLGR.	3		001877	001877	001877	001877
33	FLOAT SWITCH, TERM. & SEAL	0		N/A	N/A	N/A	N/A
34	SEAL, FLOAT SWITCH CORD-ASM. & STR RLF	0		N/A	N/A	N/A	N/A
35	CONNECTOR, WIRENUT	0		N/A	N/A	N/A	N/A
36	• SCREW, .25-20X.75 HHM-SS	4		001916	001916	001916	001916
37	• SCREW, .25-20X1" HHM-SS	4		007790	007790	007790	007790
38	• SCREW, .313-18X1" HH CAP-SS	6		002608	002608	002608	002608
39	• WASHER, LOCK SS .312 ID	2		N/A	006402	006402	006402
40	BRACKET, LIFTING SS	1		N/A	010589	016801	016801
41	RESISTOR ASSEMBLY	0		N/A	N/A	N/A	N/A
42	SENSOR WIRES	0		N/A	N/A	N/A	N/A
43	SENSOR CORDAGE TERM. & SEAL	0		N/A	N/A	N/A	N/A
44	SEAL, CORD-ASM. STR. RLF.	0		N/A	N/A	N/A	N/A
45	• WASHER, FLAT SS.	2		N/A	N/A	008773	008773
▣	REBUILD KIT	1		006165	012376	016804	150993

• Items included in Rebuild Kit.

▣ Not Shown in Illustration.

NOTES:

- 1) Mtr. Hsg., Brg., Stator & Term (Item 8) are preassembled at the factory and must be replaced as a unit. Stator is permanently attached to the Motor Housing. Plug (Item 10); Seal, Thru Wall Term. (Item 11) and Bearing - Upper (Item 9) are replaceable.
- 2) When ordering Motor Housing, Bearing, Stator and Term. (item 8); or Rotor and Bearing (item 12), specify either GE or Emerson motor.
- 3) If an "X" follows Model No., or Date Mfg. on brass I.D. tag, consult factory for ordering of this part.
- 4) See FM0160 Parts Price Sheet for listing of parts prices.

REPLACEMENT PARTS LIST FOR MODEL "WD404"

See back page for illustration.

				MODELS:	WD404-A	WD404-B	WD404-C	WD404-D
REF NO.	DESCRIPTION	QTY	NOTES	1/98 thru 6/98	7/98 thru 4/03	5/03 thru 5/10	6/10 thru Current	
1	COVER & CORD ASM.	1	3	011875	012467	016113	016113	
2	BOLT, EYE	1		005926	N/A	N/A	N/A	
3	COVER-MACH.	1	3	008860	008857	014152	014152	
4	• GASKET, CASE/COVER	1		001011	001011	001011	001011	
5	RELAY, 230V	0		N/A	N/A	N/A	N/A	
6	• WIRE PKG (5) WIRES 1.5/2 HP	1		004751	004751	004751	004751	
7	CAPACITOR & CLAMP ASM.	1		010666	010666	010666	010666	
8	HOUSING, MTR. & STR.	1	1 & 2	006097	006097	006097	018909	
9	BEARING, SLEEVE	1		001012	001012	001012	N/A	
	BEARING, RADIAL			N/A	N/A	N/A	006703	
10	• PLUG, TEST-WHITE	2		034090	034090	034090	034090	
11	• SEAL, THRU WALL TERM.	3		003402	003402	003402	003402	
12	ROTOR & BRG.	1	2	006947	006947	006947	150882	
13	• BEARING, RADIAL	1		001013	001013	001013	010069	
14	• SEAL, MTR. HSG.	1		001014	001014	001014	001014	
15	• OIL, DIELECTRIC	1		002383	002383	002383	011066	
16	ADAPTER-MACH.	1		001003	001003	001003	001003	
17	• WASHER, SEAL LOCATING & SNAP RING	0		N/A	N/A	N/A	N/A	
18	• SEAL, SHAFT	1		002430	002430	002430	002430	
19	ADAPTER-MACH. LOWER	0		N/A	N/A	N/A	N/A	
20	IMPELLER ASM.	1		012194	012194	012194	012194	
21	• KEY, WOODRUFF #404	1		006841	006841	006841	006841	
22	• WASHER, 7/16 STD. FLAT SS	1		006847	006847	006847	006847	
23	• NUT, 7/16-20 SS HEX	1		006846	006846	006846	006846	
24	HOUSING, PUMP-MACH.	1		011784	011784	011784	011784	
25	CORD TERM. & SEAL POWER	1	3	010828	010828	016115	016115	
26	• SEAL, CORD ASM. & STR. RLF.	1	3	004375	004375	015634	015634	
27	CLAMP, STRAIN RELIEF	1		N/A	N/A	013764	013764	
28	CLAMP, #6 AUTO-SS	0		N/A	N/A	N/A	N/A	
29	CORD, TERM. & SEAL CONTROL	0		N/A	N/A	N/A	N/A	
30	• SEAL, CORD-ASM. & STR. RLF. CONTROL CORD	0		N/A	N/A	N/A	N/A	
31	CLAMP, STRAIN RELIEF	1	3	001770	001770	001770	001770	
32	• SCREW, #6-32X.25RHM SL TC STLGR.	3		001877	001877	001877	001877	
33	SWITCH, FLT-TERM. & SEAL	1		011876	011876	011876	011876	
34	SEAL, CORD-ASM. & STRAIN RELIEF	1		094032	094032	094032	094032	
35	CONNECTOR, WIRENUT	1		011868	011868	011868	011868	
36	• SCREW, .25-20X.75 HHM-SS	4		001916	001916	001916	001916	
37	• SCREW, .25-20X1" HHM-SS	4		007790	007790	007790	007790	
38	• SCREW, .313-18 X 1" HH CAP-SS	6		002608	002608	002608	002608	
39	• WASHER, LOCK SS .312 ID	2		N/A	006402	006402	006402	
40	BRACKET, LIFTING	1		N/A	010589	016801	016801	
41	RESISTOR ASSEMBLY	0		N/A	N/A	N/A	N/A	
42	SENSOR WIRES	0		N/A	N/A	N/A	N/A	
43	SENSOR CORDAGE TERM. & SEAL	0		N/A	N/A	N/A	N/A	
44	SEAL, CORD-ASM. STR. RLF.	0		N/A	N/A	N/A	N/A	
45	• WASHER, FLAT SS.	2		N/A	N/A	008773	008773	
▣	REBUILD KIT	1		011878	012379	016804	150993	

• Items included in Rebuild Kit.

▣ Not Shown in Illustration.

NOTES:

- 1) Mtr. Hsg., Brg., Stator & Term (Item 8) are preassembled at the factory and must be replaced as a unit. Stator is permanently attached to the Motor Housing. Plug (Item 10); Seal, Thru Wall Term. (Item 11) and Bearing - Upper (Item 9) are replaceable.
- 2) When ordering Motor Housing, Bearing, Stator and Term. (item 8); or Rotor and Bearing (item 12), specify either GE or Emerson motor.
- 3) If an "X" follows Model No., or Date Mfg. on brass I.D. tag, consult factory for ordering of this part.
- 4) See FM0160 Parts Price Sheet for listing of parts prices.

REPLACEMENT PARTS LIST FOR MODELS "I404"

See back page for illustration.

REF NO.	DESCRIPTION	QTY	NOTES	MODELS:			
				I404-A	I404-B	I404-C	I404-D
				1/98 thru 6/98	7/98 thru 4/03	5/03 thru 5/10	6/10 thru Current
1	COVER & CORD ASM.	1	3	012191	012468	014159	014159
2	BOLT, EYE	1		005926	N/A	N/A	N/A
3	COVER-MACH.	1	3	005864	004372	014150	014150
4	• GASKET, CASE/COVER	1		001011	001011	001011	001011
5	RELAY, 230V	0		N/A	N/A	N/A	N/A
6	• WIRE PKG (5) WIRES 1.5/2 HP	1		004751	004751	004751	004751
7	CAPACITOR & CLAMP ASM.	1		010666	010666	010666	010666
8	HOUSING, MTR. & STR.	1	1 & 2	007808	007808	007808	150961
9	BEARING, SLEEVE	1		001012	001012	001012	N/A
	BEARING, RADIAL			N/A	N/A	N/A	006703
10	• PLUG, TEST-WHITE	2		034090	034090	034090	034090
11	• SEAL, THRU WALL TERM.	3		003402	003402	003402	003402
12	ROTOR & BRG.	1	2	006947	006947	006947	150882
13	• BEARING, RADIAL	1		001013	001013	001013	010069
14	• SEAL, MTR. HSG.	1		001014	001014	001014	001014
15	• OIL, DIELECTRIC	1		002383	002383	002383	011066
16	ADAPTER-MACH.	1		001003	001003	001003	001003
17	• WASHER, SEAL LOCATING & SNAP RING	0		N/A	N/A	N/A	N/A
18	• SEAL, SHAFT	1		002430	002430	002430	002430
19	ADAPTER-MACH. LOWER	0		N/A	N/A	N/A	N/A
20	IMPELLER ASM.	1		012194	012194	012194	012194
21	• KEY, WOODRUFF #404	1		006841	006841	006841	006841
22	• WASHER, 7/16 STD. FLAT SS	1		006847	006847	006847	006847
23	• NUT, 7/16-20 SS HEX	1		006846	006846	006846	006846
24	HOUSING, PUMP-MACH.	1		011784	011784	011784	011784
25	CORD TERM. & SEAL POWER	1	3	009685	009685	014173	014173
26	• SEAL, CORD ASM. & STR. RLF.	1	3	004375	004375	015634	015634
27	CLAMP, STRAIN RELIEF	1		N/A	N/A	013764	013764
28	CLAMP, #6 AUTO-SS	0		N/A	N/A	N/A	N/A
29	CORD, TERM. & SEAL CONTROL	0		N/A	N/A	N/A	N/A
30	• SEAL, CORD-ASM. & STR. RLF. CONTROL CORD	0		N/A	N/A	N/A	N/A
31	CLAMP, STRAIN RELIEF	0		N/A	N/A	N/A	N/A
32	• SCREW, #6-32X.25RHM SL TC STLGR.	3		001877	001877	001877	001877
33	SWITCH, FLT-TERM. & SEAL	0		N/A	N/A	N/A	N/A
34	SEAL, CORD-ASM. & STRAIN RELIEF	0		N/A	N/A	N/A	N/A
35	CONNECTOR, WIRENUT	0		N/A	N/A	N/A	N/A
36	• SCREW, .25-20X.75 HHM-SS	4		001916	001916	001916	001916
37	• SCREW, .25-20X1" HHM-SS	4		007790	007790	007790	007790
38	• SCREW, .313-18 X 1" HH CAP-SS	6		002608	002608	002608	002608
39	• WASHER, LOCK SS .312 ID	2		N/A	006402	006402	006402
40	BRACKET, LIFTING	1		N/A	010589	016801	016801
41	RESISTOR ASSEMBLY	0		N/A	N/A	N/A	N/A
42	SENSOR WIRES	0		N/A	N/A	N/A	N/A
43	SENSOR CORDAGE TERM. & SEAL	0		N/A	N/A	N/A	N/A
44	SEAL, CORD-ASM. STR. RLF.	0		N/A	N/A	N/A	N/A
45	• WASHER, FLAT SS.	2		N/A	N/A	008773	008773
▣	REBUILD KIT	1		006165	012376	016804	150993

- Items included in Rebuild Kit.
- ▣ Not Shown in Illustration.

NOTES:

- 1) Mtr. Hsg., Brg., Stator & Term (Item 8) are preassembled at the factory and must be replaced as a unit. Stator is permanently attached to the Motor Housing. Plug (Item 10); Seal, Thru Wall Term. (Item 11) and Bearing - Upper (Item 9) are replaceable.
- 2) When ordering Motor Housing, Bearing, Stator and Term. (item 8); or Rotor and Bearing (item 12), specify either GE or Emerson motor.
- 3) If an "X" follows Model No., or Date Mfg. on brass I.D. tag, consult factory for ordering of this part.
- 4) See FM0160 Parts Price Sheet for listing of parts prices.

REPLACEMENT PARTS LIST FOR MODELS "J404"

See back page for illustration.

				MODELS:			
REF NO.	DESCRIPTION	QTY	NOTES	J404-A	J404-B	J404-C	J404-D
				1/98 thru 6/98	7/98 thru 4/03	5/03 thru 5/10	6/10 thru Current
1	COVER & CORD ASM.	1	3	012190	012465	014161	014161
2	BOLT, EYE	1		005926	N/A	N/A	N/A
3	COVER-MACH.	1	3	005864	004372	014150	014150
4	• GASKET, CASE/COVER	1		001011	001011	001011	001011
5	RELAY, 230V	0		N/A	N/A	N/A	N/A
6	• WIRE PKG (5) WIRES 1.5/2 HP	0		N/A	N/A	N/A	N/A
7	CAPACITOR & CLAMP ASM.	0		N/A	N/A	N/A	N/A
8	HOUSING, MTR. & STR.	1	1 & 2	012193	012193	012193	150962
9	BEARING, SLEEVE	1		001012	001012	001012	N/A
	BEARING, RADIAL			N/A	N/A	N/A	006703
10	• PLUG, TEST-WHITE	2		034090	034090	034090	034090
11	• SEAL, THRU WALL TERM.	3		003402	003402	003402	003402
12	ROTOR & BRG.	1	2	006948	006948	006948	150882
13	• BEARING, RADIAL	1		001013	001013	001013	010069
14	• SEAL, MTR. HSG.	1		001014	001014	001014	001014
15	• OIL, DIELECTRIC	1		002383	002383	002383	011066
16	ADAPTER-MACH.	1		001003	001003	001003	001003
17	• WASHER, SEAL LOCATING & SNAP RING	0		N/A	N/A	N/A	N/A
18	• SEAL, SHAFT	1		002430	002430	002430	002430
19	ADAPTER-MACH. LOWER	0		N/A	N/A	N/A	N/A
20	IMPELLER ASM.	1		012194	012194	012194	012194
21	• KEY, WOODRUFF #404	1		006841	006841	006841	006841
22	• WASHER, 7/16 STD. FLAT SS	1		006847	006847	006847	006847
23	• NUT, 7/16-20 SS HEX	1		006846	006846	006846	006846
24	HOUSING, PUMP-MACH.	1		011784	011784	011784	011784
25	CORD TERM. & SEAL POWER	1	3	012189	012189	014177	014177
26	• SEAL, CORD ASM. & STR. RLF.	1	3	004375	004375	015634	015634
27	CLAMP, STRAIN RELIEF	1		N/A	N/A	013764	013764
28	CLAMP, #6 AUTO-SS	0		N/A	N/A	N/A	N/A
29	CORD, TERM. & SEAL CONTROL	0		N/A	N/A	N/A	N/A
30	• SEAL, CORD-ASM. & STR. RLF. CONTROL CORD	0		N/A	N/A	N/A	N/A
31	CLAMP, STRAIN RELIEF	0		N/A	N/A	N/A	N/A
32	• SCREW, #6-32X.25RHM SL TC STLGR.	1		001877	001877	001877	001877
33	SWITCH, FLT-TERM. & SEAL	0		N/A	N/A	N/A	N/A
34	SEAL, CORD-ASM. & STRAIN RELIEF	0		N/A	N/A	N/A	N/A
35	CONNECTOR, WIRENUT	0		N/A	N/A	N/A	N/A
36	• SCREW, .25-20X.75 HHM-SS	4		001916	001916	001916	001916
37	• SCREW, .25-20X1" HHM-SS	4		007790	007790	007790	007790
38	• SCREW, .313-18 X 1" HH CAP-SS	6		002608	002608	002608	002608
39	• WASHER, LOCK SS .312 ID	2		N/A	006402	006402	006402
40	BRACKET, LIFTING	1		N/A	010589	016801	016801
41	RESISTOR ASSEMBLY	0		N/A	N/A	N/A	N/A
42	SENSOR WIRES	0		N/A	N/A	N/A	N/A
43	SENSOR CORDAGE TERM. & SEAL	0		N/A	N/A	N/A	N/A
44	SEAL, CORD-ASM. STR. RLF.	0		N/A	N/A	N/A	N/A
45	• WASHER, FLAT SS.	2		N/A	N/A	008773	008773
▣	REBUILD KIT	1		006165	012376	016804	150993

- Items included in Rebuild Kit.
- ▣ Not Shown in Illustration.

NOTES:

- 1) Mtr. Hsg., Brg., Stator & Term (Item 8) are preassembled at the factory and must be replaced as a unit. Stator is permanently attached to the Motor Housing. Plug (Item 10); Seal, Thru Wall Term. (Item 11) and Bearing - Upper (Item 9) are replaceable.
- 2) When ordering Motor Housing, Bearing, Stator and Term. (item 8); or Rotor and Bearing (item 12), specify either GE or Emerson motor.
- 3) If an "X" follows Model No., or Date Mfg. on brass I.D. tag, consult factory for ordering of this part.
- 4) See FM0160 Parts Price Sheet for listing of parts prices.

REPLACEMENT PARTS LIST FOR MODELS "F404" & "G404"

See back page for illustration.

REF NO.	DESCRIPTION	MODELS:		F404-A	F404-B	F404-C	G404-A	G404-B	G404-C
		QTY	NOTES	1/98 thru 6/98	7/98 thru 5/10	6/10 thru Current	1/98 thru 6/98	7/98 thru 5/10	6/10 thru Current
1	COVER & CORD ASM.	1	3	014165	014161	014161	011332	012466	012466
2	BOLT, EYE	1		005926	N/A	N/A	005926	N/A	N/A
3	COVER-MACH.	1	3	014151	014150	014150	005863	001077	001077
4	• GASKET, CASE/COVER	1		001011	001011	001011	001011	001011	001011
5	RELAY, 230V	0		N/A	N/A	N/A	N/A	N/A	N/A
6	• WIRE PKG (5) WIRES 1.5/2 HP	0		N/A	N/A	N/A	N/A	N/A	N/A
7	CAPACITOR & CLAMP ASM.	0		N/A	N/A	N/A	N/A	N/A	N/A
8	HOUSING, MTR. & STR.	1	1 & 2	008592	008592	150963	006343	006343	150964
9	BEARING, SLEEVE	1		001012	001012	N/A	001012	001012	N/A
	BEARING, RADIAL			N/A	N/A	006703	N/A	N/A	006703
10	• PLUG, TEST-WHITE	2		034090	034090	034090	034090	034090	034090
11	• SEAL, THRU WALL TERM.	3		003402	003402	003402	003402	003402	003402
12	ROTOR & BRG.	1	2	006948	006948	150882	006948	006948	150882
13	• BEARING, RADIAL	1		001013	001013	010069	001013	001013	010069
14	• SEAL, MTR. HSG.	1		001014	001014	001014	001014	001014	001014
15	• OIL, DIELECTRIC	1		002383	002383	011066	002383	002383	011066
16	ADAPTER-MACH.	1		001003	001003	001003	001003	001003	001003
17	• WASHER, SEAL LOCATING & SNAP RING	0		N/A	N/A	N/A	N/A	N/A	N/A
18	• SEAL, SHAFT	1		002430	002430	002430	002430	002430	002430
19	ADAPTER-MACH. LOWER	0		N/A	N/A	N/A	N/A	N/A	N/A
20	IMPELLER ASM.	1		012194	012194	012194	012194	012194	012194
21	• KEY, WOODRUFF #404	1		006841	006841	006841	006841	006841	006841
22	• WASHER, 7/16 STD. FLAT SS	1		006847	006847	006847	006847	006847	006847
23	• NUT, 7/16-20 SS HEX	1		006846	006846	006846	006846	006846	006846
24	HOUSING, PUMP-MACH.	1		011784	011784	011784	011784	011784	011784
25	CORD TERM. & SEAL POWER	1	3	014177	014177	014177	005131	005131	005131
26	• SEAL, CORD ASM. & STR. RLF.	1	3	015634	015634	015634	094032	094032	094032
27	CLAMP, STRAIN RELIEF	1	3	013764	013764	013764	001770	001770	001770
28	CLAMP, #6 AUTO-SS	0		N/A	N/A	N/A	N/A	N/A	N/A
29	CORD, TERM. & SEAL CONTROL	0		N/A	N/A	N/A	N/A	N/A	N/A
30	• SEAL, CORD-ASM. & STR. RLF. CONTROL CORD	0		N/A	N/A	N/A	N/A	N/A	N/A
31	CLAMP, STRAIN RELIEF	0		N/A	N/A	N/A	N/A	N/A	N/A
32	• SCREW, #6-32X.25RHM SL TC STLGR.	1		001877	001877	001877	001877	001877	001877
33	SWITCH, FLT-TERM. & SEAL	0		N/A	N/A	N/A	N/A	N/A	N/A
34	SEAL, CORD-ASM. & STRAIN RELIEF	0		N/A	N/A	N/A	N/A	N/A	N/A
35	CONNECTOR, WIRENUT	0		N/A	N/A	N/A	N/A	N/A	N/A
36	• SCREW, .25-20X.75 HHM-SS	4		001916	001916	001916	001916	001916	001916
37	• SCREW, .25-20X1" HHM-SS	4		007790	007790	007790	007790	007790	007790
38	• SCREW, .313-18 X 1" HH CAP-SS	6		002608	002608	002608	002608	002608	002608
39	• WASHER, LOCK SS .312 ID	2		N/A	006402	006402	N/A	006402	006402
40	BRACKET, LIFTING	1		N/A	016801	016801	N/A	016801	016801
41	RESISTOR ASSEMBLY	0		N/A	N/A	N/A	N/A	N/A	N/A
42	SENSOR WIRES	0		N/A	N/A	N/A	N/A	N/A	N/A
43	SENSOR CORDAGE TERM. & SEAL	0		N/A	N/A	N/A	N/A	N/A	N/A
44	SEAL, CORD-ASM. STR. RLF.	0		N/A	N/A	N/A	N/A	N/A	N/A
45	• WASHER, FLAT SS.	2		N/A	008773	008773	N/A	008773	008773
▣	REBUILD KIT	1		011334	016804	150993	011334	016804	150993

• Items included in Rebuild Kit.

▣ Not Shown in Illustration.

NOTES:

- 1) Mtr. Hsg., Brg., Stator & Term (Item 8) are preassembled at the factory and must be replaced as a unit. Stator is permanently attached to the Motor Housing. Plug (Item 10); Seal, Thru Wall Term. (Item 11) and Bearing - Upper (Item 9) are replaceable.
- 2) When ordering Motor Housing, Bearing, Stator and Term. (item 8); or Rotor and Bearing (item 12), specify either GE or Emerson motor.
- 3) If an "X" follows Model No., or Date Mfg. on brass I.D. tag, consult factory for ordering of this part.
- 4) See FM0160 Parts Price Sheet for listing of parts prices.

REPLACEMENT PARTS LIST FOR MODELS "BA404"

See back page for illustration.

				MODELS:		
REF NO.	DESCRIPTION	QTY	NOTES	BA404-A	BA404-B	BA404-C
				1/98 thru 6/98	7/98 thru 5/10	6/10 thru Current
1	COVER & CORD ASM.	1	3	011332	012466	012466
2	BOLT, EYE	1		005926	N/A	N/A
3	COVER-MACH.	1	3	005863	001077	001077
4	• GASKET, CASE/COVER	1		001011	001011	001011
5	RELAY, 230V	0		N/A	N/A	N/A
6	• WIRE PKG (5) WIRES 1.5/2 HP	0		N/A	N/A	N/A
7	CAPACITOR & CLAMP ASM.	0		N/A	N/A	N/A
8	HOUSING, MTR. & STR.	1	1 & 2	011333	011333	150965
9	BEARING, SLEEVE	1		001012	001012	N/A
	BEARING, RADIAL			N/A	N/A	006703
10	• PLUG, TEST-WHITE	2		034090	034090	034090
11	• SEAL, THRU WALL TERM.	3		003402	003402	003402
12	ROTOR & BRG.	1	2	006948	006948	150882
13	• BEARING, RADIAL	1		001013	001013	010069
14	• SEAL, MTR. HSG.	1		001014	001014	001014
15	• OIL, DIELECTRIC	1		002383	002383	011066
16	ADAPTER-MACH.	1		001003	001003	001003
17	• WASHER, SEAL LOCATING & SNAP RING	0		N/A	N/A	N/A
18	• SEAL, SHAFT	1		002430	002430	002430
19	ADAPTER-MACH. LOWER	0		N/A	N/A	N/A
20	IMPELLER ASM.	1		012194	012194	012194
21	• KEY, WOODRUFF #404	1		006841	006841	006841
22	• WASHER, 7/16 STD. FLAT SS	1		006847	006847	006847
23	• NUT, 7/16-20 SS HEX	1		006846	006846	006846
24	HOUSING, PUMP-MACH.	1		011784	011784	011784
25	CORD TERM. & SEAL POWER	1	3	005131	005131	005131
26	• SEAL, CORD ASM. & STR. RLF.	1	3	094032	094032	094032
27	CLAMP, STRAIN RELIEF	1	3	001770	001770	001770
28	CLAMP, #6 AUTO-SS	0		N/A	N/A	N/A
29	CORD, TERM. & SEAL CONTROL	0		N/A	N/A	N/A
30	• SEAL, CORD-ASM. & STR. RLF. CONTROL CORD	0		N/A	N/A	N/A
31	CLAMP, STRAIN RELIEF	0		N/A	N/A	N/A
32	• SCREW, #6-32X.25RHM SL TC STLGR.	1		001877	001877	001877
33	SWITCH, FLT-TERM. & SEAL	0		N/A	N/A	N/A
34	SEAL, CORD-ASM. & STRAIN RELIEF	0		N/A	N/A	N/A
35	CONNECTOR, WIRENUT	0		N/A	N/A	N/A
36	• SCREW, .25-20X.75 HHM-SS	4		001916	001916	001916
37	• SCREW, .25-20X1" HHM-SS	4		007790	007790	007790
38	• SCREW, .313-18 X 1" HH CAP-SS	6		002608	002608	002608
39	• WASHER, LOCK SS .312 ID	2		N/A	006402	006402
40	BRACKET, LIFTING	1		N/A	016801	016801
41	RESISTOR ASSEMBLY	0		N/A	N/A	N/A
42	SENSOR WIRES	0		N/A	N/A	N/A
43	SENSOR CORDAGE TERM. & SEAL	0		N/A	N/A	N/A
44	SEAL, CORD-ASM. STR. RLF.	0		N/A	N/A	N/A
45	• WASHER, FLAT SS.	2		N/A	008773	008773
▣	REBUILD KIT	1		011334	016804	150993

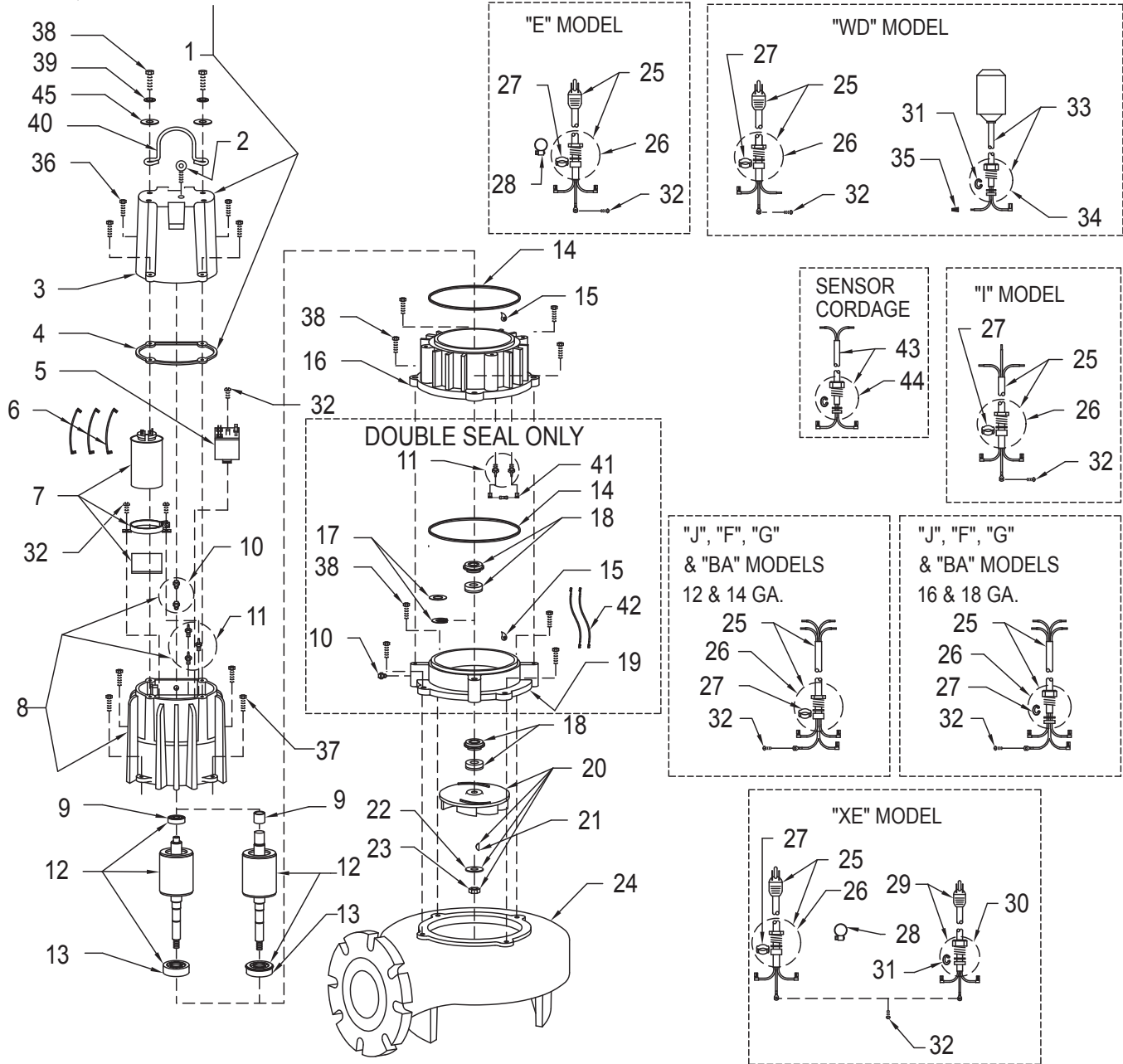
- Items included in Rebuild Kit.
- ▣ Not Shown in Illustration.

NOTES:

- 1) Mtr. Hsg., Brg., Stator & Term (Item 8) are preassembled at the factory and must be replaced as a unit. Stator is permanently attached to the Motor Housing. Plug (Item 10); Seal, Thru Wall Term. (Item 11) and Bearing - Upper (Item 9) are replaceable.
- 2) When ordering Motor Housing, Bearing, Stator and Term. (item 8); or Rotor and Bearing (item 12), specify either GE or Emerson motor.
- 3) If an "X" follows Model No., or Date Mfg. on brass I.D. tag, consult factory for ordering of this part.
- 4) See FM0160 Parts Price Sheet for listing of parts prices.

REPLACEMENT PARTS ILLUSTRATION FOR 404 - ALL MODELS

APPLICABLE CORD, SEAL, & GROUND SCREW



SK1814



MAIL TO: P.O. BOX 16347 • Louisville, KY 40256-0347
SHIP TO: 3649 Cane Run Road • Louisville, KY 40211-1961
(502) 778-2731 • 1 (800) 928-PUMP • FAX (502) 774-3624

Trusted. Tested. Tough.®

Visit our website:
zoellerpumps.com