

Product information presented here reflects conditions at time of publication. Consult factory regarding discrepancies or inconsistencies.

MAIL TO: P.O. BOX 16347 • Louisville, KY 40256-0347
SHIP TO: 3649 Cane Run Road • Louisville, KY 40211-1961
TEL: (502) 778-2731 • 1 (800) 928-PUMP • FAX: (502) 774-3624

Visit our website:
zoellerpumps.com

REPLACEMENT PARTS LIST FOR MODELS:

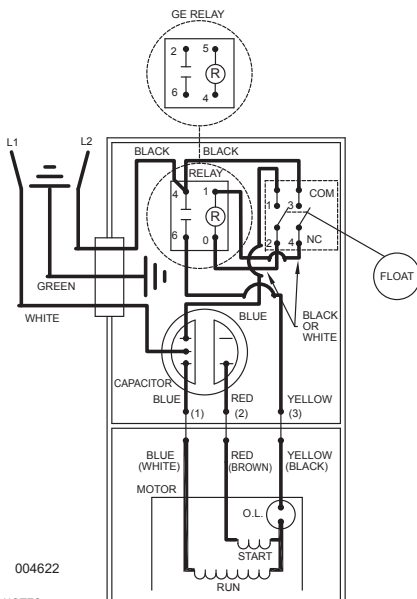
H189 AUTOMATIC 200V/1PH
I189 NONAUTOMATIC 200V/1PH
J189 NONAUTOMATIC 200V/3PH
F189 NONAUTOMATIC 230V/3PH
G189 NONAUTOMATIC 460V/3PH
BA189 NONAUTOMATIC 575V/3PH

Consult factory for all other models.

TO ORDER REPLACEMENT PARTS:

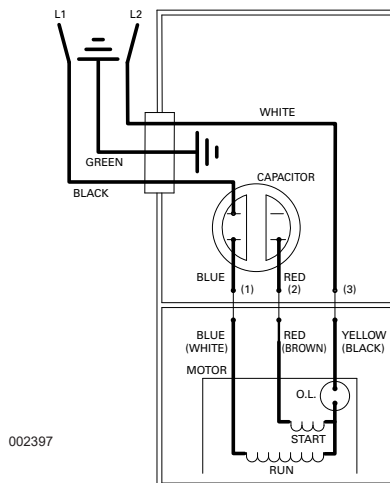
PLEASE FURNISH THE FOLLOWING INFORMATION:

- Model number
- Part number of pump
(If manufactured prior to June 1988, give 2-letter date code following model no.)
- Part number and description of part

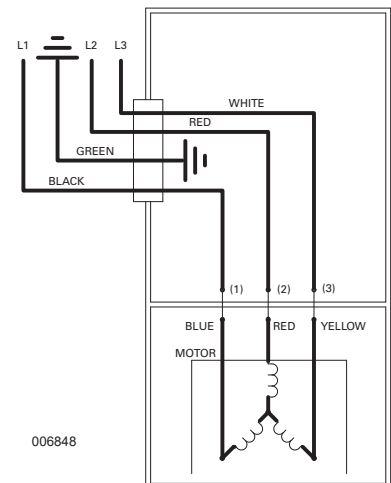


NOTES:
INSULATORS REQUIRED ON GE RELAY TERMINALS 2 & 5;
OMRON RELAY TERMINALS 1 & 4.

WIRING DIAGRAM FOR MODEL
"H189" All Revisions
5/86 (RS) thru Current



WIRING DIAGRAM FOR MODEL
"I189" All Revisions
5/86 (RS) thru Current



WIRING DIAGRAM FOR MODELS
"J189", All Revisions, 5/86 (RS) thru Current
"F189" All Revisions, 5/86 (RS) thru Current
"G189" All Revisions, 5/86 (RS) thru Current
"BA189" All Revisions, 11/91 thru Current

REPLACEMENT PARTS LIST FOR MODELS "H189"

See page 7 for "H189" illustration.

REF. NO.	DESCRIPTION	QTY	NOTES	MODELS: H189-A					H189-B	H189-C	H189-D	H189-E
				5/86 RS thru 5/87 RT	6/87 ST thru 4/03	5/03 thru 5/08	6/08 thru 1/16	2/16 thru Current				
1	CASE SWITCH & CORD	1	2,3	014332	014332	014157	014157	014157				
2	• HANDLE	1		217069	217069	217069	217069	217069				
3	CORD TERM & SEAL	1	3	014331	014331	014170	014170	014170				
4	CLAMP, STRAIN RELIEF	1	3	001769	001769	013764	013764	013764				
5	• SEAL, CORD - ASSEMBLY & STR RELIEF	1	3	004375	004375	015634	015634	015634				
6	CASE - MACH	1	3	014332	004633	014154	014154	014154				
7	• GUARD	1		001023	001023	001023	001023	001023				
8	• ARM & SEAL ASSEMBLY	1	2	002379	004745	004745	004745	004745				
9	• GASKET, CASE / COVER	1		001011	001011	001011	001011	001011				
10	SWITCH ASSEMBLY	1	2	004206	004744	004744	004744	004744				
11	• WIRE PKG (5) WIRES	1		004174	004751	004751	004751	004751				
12	CAPACITOR & CLAMP ASSEMBLY	1		006135	006135	006135	006135	006135				
13	RELAY	1		217093	217093	217093	217093	217093		153833		
14	FLOAT, PLASTIC	1		094039	094039	094039	094039	094039				
15	GUIDE ASM, FLOAT ROD	1		001072	001072	001072	001072	001072				
16	ROD ASM, FLOAT	1		003083	003083	003083	003083	003083				
17	HOUSING, MOTOR & STR	1	1	005204	005204	005204	019234	019234				
18	BEARING, SLEEVE	1		001012	001012	001012	NA	NA				
	BEARING, RADIAL			NA	NA	NA	006703	006703				
19	• PLUG, TEST - WHITE	2		034090	034090	034090	034090	034090				
20	• SEAL, THRU WALL TERM	3		003402	003402	003402	003402	003402				
21	ROTOR & BRG	1		005205	005205	005205	019225	019225				
22	• BEARING, UPPER SLEEVE	1		001013	001013	001013	010069	010069				
23	• SEAL, MOTOR HOUSING	1		001014	001014	001014	001014	001014				
24	• OIL, DIELECTRIC	1		003168	003168	003168	011066	011066				
25	ADAPTER - MACH	1		001003	001003	001003	001003	001003				
26	• SEAL, SHAFT	1		002430	002430	002430	002430	002430				
27	FLANGE PKG 2" NPT	1		217024	217024	217024	217024	217024				
	FLANGE PKG 3" NPT	1		317024	317024	317024	317024	317024				
28	IMPELLER "189" BRONZE	1		004207	004207	004207	004207	004207				
	IMPELLER "189" CAST IRON			NA	NA	NA	NA	157833				
29	HOUSING, PUMP - MACH	1		004198	004188	004188	004188	004188				
30	STRAINER PLATE	1		137008	137008	137008	137008	137008				
31	• SCREW, .25 - 20 X .75 HHM - SS	4		001916	001916	001916	001916	001916				
32	• SCREW, .313 - 18 X 1" HH CAP - SS	4		002608	002608	002608	002608	002608				
33	• SCREW, #10 - 24 X .375 RHM - SL SS	2		001883	001883	001883	001883	001883				
34	• SCREW, #6 - 32 X .438 RHTLTP STLZI	2		001877	004644	004644	004644	004644				
35	• SEM, 10 - 24 X .375HH - SL TC.688 WASHER	2		002000	002000	002000	002000	002000				
36	• WASHER, SS - 1.25" OD X .562" ID X .078	2		002115	002115	002115	002115	002115				
37	• SCREW, .5 - 13 X 2 HH CAP - SS	2		001909	001909	001909	001909	001909				
38	• SCREW, #6 - 32 X .25 RHM SL TC STLGR	5		001877	001877	001877	001877	001877				
39	• SCREW, .25 - 20 X 1" HHM - SS	4		007790	007790	007790	007790	007790				
□	REBUILD KIT			016103	016103	016103	019647	019647				

• Items included in Rebuild Kit.

□ Not shown in illustration.

NOTES:

- 1) Mtr. Hsg., Brg., Stator & Term. (Item 17) is preassembled at the factory and must be replaced as a unit. Stator is permanently attached to the Motor Housing. Plug (Item 19); Seal, Thru Wall Term. (Item 20) and Bearing - Upper (Item 18) are replaceable.
- 2) When ordering these parts, customer must identify if switch is a General Electric switch.
- 3) If an "X" follows Model No., or Date Mfg. on brass ID tag, consult factory for ordering of this part.
- 4) See FM0160 Parts Price Sheet for listing of parts prices.
- 5) "NA" indicates, not applicable.

REPLACEMENT PARTS LIST FOR MODELS "I189"

See page 7 for "I189" illustration.

REF. NO.	DESCRIPTION	QTY	NOTES	MODELS: I189-A			
				5/86 RS thru 5/87 RT	I189-B	I189-C	I189-D
1	• HANDLE	1		217069	217069	217069	217069
2	COVER & CORD	1	2	014159	014159	014159	014159
3	CORD TERM & SEAL	1	2	009685	009685	014173	014173
4	CLAMP, STRAIN RELIEF	1	2	001769	001769	013764	013764
5	• SEAL, CORD - ASSEMBLY & STRAIN RELIEF	1	2	004375	004375	015634	015634
6	COVER - MACH	1	2	004372	004372	014150	014150
7	• GASKET, CASE / COVER	1		001011	001011	001011	001011
8	• WIRE PKG (5) WIRES	1		004174	004751	004751	004751
9	CAPACITOR & CLAMP ASSEMBLY	1		006135	006135	006135	006135
10	HOUSING, MOTOR & STATOR	1	1	005204	005204	005204	019234
11	BEARING, SLEEVE	1		001012	001012	001012	NA
	BEARING, RADIAL			NA	NA	NA	006703
12	• PLUG, TEST - WHITE	2		034090	034090	034090	034090
13	• SEAL, THRU WALL TERM	3		003402	003402	003402	003402
14	ROTOR & BRG	1		005205	005205	005205	019225
15	• BEARING, RADIAL	1		001013	001013	001013	010069
16	• SEAL, MOTOR HOUSING	1		001014	001014	001014	001014
17	OIL, DIELECTRIC	1		003168	003168	003168	011066
18	ADAPTER - MACH	1		001003	001003	001003	001003
19	• SEAL, SHAFT	1		002430	002430	002430	002430
20	FLANGE PKG 2" NPT	1		217024	217024	217024	217024
	FLANGE PKG 3" NPT	1		317024	317024	317024	317024
21	IMPELLER "189" BRONZE	1		004207	004207	004207	004207
	IMPELLER "189" CAST IRON			NA	NA	NA	157833
22	HOUSING, PUMP - MACH	1		004198	004188	004188	004188
23	STRAINER PLATE	1		137008	137008	137008	137008
24	• SCREW, .25 - 20 X .75 HHM - SS	4		001916	001916	001916	001916
25	• SCREW, .313 - 18 X 1" HH CAP - SS	4		002608	002608	002608	002608
26	• SCREW, #10 - 24 X .375 RHM - SL SS	2		001883	001883	001883	001883
27	• SEM, 10 - 24 X .375 HH - SL TC.688 WASHER	2		002000	002000	002000	002000
28	• SCREW, 5 - 13 X 2 HH CAP - SS	2		001909	001909	001909	001909
29	• WASHER, SS - 1.25" OD X .562" ID X .078	2		002115	002115	002115	002115
30	• SCREW, #6 - 32 X .25 RHM SL TC STLGR	4		001877	001877	001877	001877
31	• SCREW, .25 - 20 X 1" HHM - SS	4		007790	007790	007790	007790
□	REBUILD KIT			014193	014193	014193	019648

• Items included in Rebuild Kit.

□ Not shown in illustration.

NOTES:

- 1) Mtr. Hsg., Brg., Stator & Term. (Item 10) is preassembled at the factory and must be replaced as a unit. Stator is permanently attached to the Motor Housing. Plug (Item 12); Seal, Thru Wall Term. (Item 13) and Bearing - Upper (Item 11) are replaceable.
- 2) If an "X" follows Model No., or Date Mfg. on brass ID tag, consult factory for ordering of this part.
- 3) See FM0160 Parts Price Sheet for listing of parts prices.
- 4) "NA" indicates, not applicable.

REPLACEMENT PARTS LIST FOR MODELS "J189"

See back page for "J189" illustration.

REF. NO.	DESCRIPTION	QTY	NOTES	MODELS: J189-B			
				J189-C	J189-D	J189-E	
				5/86 RS thru 5/87 RT	6/87 ST thru 4/03	5/03 thru 5/08	6/08 thru Current
1	• HANDLE	1		217069	217069	217069	217069
2	COVER & CORD	1	2	011641	011641	014161	014161
3	COVER - MACH	1	2	004372	004372	014150	014150
4	• GASKET, CASE / COVER	1		001011	001011	001011	001011
5	HOUSING, MOTOR & STATOR	1	1	005132	005132	005132	019235
6	BEARING, SLEEVE	1		001012	001012	001012	NA
	BEARING, RADIAL			NA	NA	NA	006703
7	CLAMP, STRAIN RELIEF	1	2	001769	001769	013764	013764
8	CORD, TERM & SEAL	1	2	011640	011640	014177	014177
9	• SEAL, CORD - ASSEMBLY & STATOR RELIEF	1	2	004375	004375	015634	015634
10	• PLUG, TEST - WHITE	2		034090	034090	034090	034090
11	• SEAL THRU WALL TERM	3		003402	003402	003402	003402
12	ROTOR & BRG	1		005133	005133	005133	019226
13	• BEARING, RADIAL	1		001013	001013	001013	010069
14	• SEAL, MOTOR HOUSING	1		001014	001014	001014	001014
15	• OIL, DIELECTRIC	1		003168	003168	003168	011066
16	ADAPTER - MACH	1		001003	001003	001003	001003
17	• SEAL, SHAFT	1		002430	002430	002430	002430
18	IMPELLER ASSEMBLY "189" BRONZE	1		005201	005201	005201	005201
	IMPELLER ASSEMBLY "189" CAST IRON			NA	NA	NA	157834
19	FLANGE PKG 2" NPT	1		217024	217024	217024	217024
	FLANGE PKG 3" NPT	1		317024	317024	317024	317024
20	HOUSING, PUMP - MACH	1		004198	004188	004188	004188
21	• SCREW, #6 - 32 X .25 RHM SL TC STLGR	1		001877	001877	001877	001877
22	• SCREW, .25 - 20 X .75 HHM - SS	4		001916	001916	001916	001916
23	• SCREW, .313 - 18 X 1" HH CAP - SS	4		002608	002608	002608	002608
24	• SCREW, .5 - 13 X 2 HH CAP - SS	2		001909	001909	001909	001909
25	• WASHER, SS - 1.25" OD X .562" ID X .078	2		002115	002115	002115	002115
26	• SCREW, #10 - 24 X .375 RHM - SL SS	1		001883	001883	001883	001883
27	STRAINER PLATE	1		137008	137008	137008	137008
28	• SEM, 10 - 24 X .375 HH - SL TC .688 WASHER	2		002000	002000	002000	002000
29	• SCREW, .25 - 20 X 1 HHM - SS	4		007790	007790	007790	007790
30	• NUT, 7/16 - 20 ACORN SS	1		004351	004351	004351	004351
□	REBUILD KIT			014193	014193	014193	019648

• Items included in Rebuild Kit.

□ Not shown in illustration.

NOTES:

- 1) Mtr. Hsg., Brg., Stator & Term. (Item 5) is preassembled at the factory and must be replaced as a unit. Stator is permanently attached to the Motor Housing. Plug (Item 10); Seal, Thru Wall Term. (Item 11) and Bearing - Upper (Item 6) are replaceable.
- 2) If an "X" follows Model No., or Date Mfg. on ID tag, consult factory for ordering of this part.
- 3) See FM0160 Parts Price Sheet for listing of parts prices.
- 4) "NA" indicates, not applicable.

REPLACEMENT PARTS LIST FOR MODELS "F189"

See back page for "F189" illustration.

REF. NO.	DESCRIPTION	QTY	NOTES	MODELS: F189-B				
				F189-C	F189-D	F189-E	F189-F	
				5/86 RS thru 8/86 US	9/86 VS thru 5/87 RT	6/87 ST thru 4/03	5/03 thru 5/08	6/08 thru Current
1	• HANDLE	1		217069	217069	217069	217069	217069
2	COVER & CORD	1	2	011641	011641	011641	014161	014161
3	COVER - MACH	1	2	004372	004372	004372	014150	014150
4	• GASKET, CASE / COVER	1		001011	001011	001011	001011	001011
5	HOUSING, MOTOR-& STATOR	1	1	005136	005136	005136	005136	019236
6	BEARING, SLEEVE	1		001012	001012	001012	001012	NA
	BEARING, RADIAL			NA	NA	NA	NA	006703
7	CLAMP, STRAIN RELIEF	1	2	001769	001769	001769	013764	013764
8	CORD, TERM & SEAL	1	2	011640	011640	011640	014177	014177
9	• SEAL, CORD - ASSEMBLY & STRAIN RELIEF	1	2	004375	004375	004375	015634	015634
10	• PLUG, TEST - WHITE	2		034090	034090	034090	034090	034090
11	• SEAL THRU WALL TERM	3		003402	003402	003402	003402	003402
12	ROTOR & BRG	1		004579	004579	004579	004579	019226
13	• BEARING, RADIAL	1		001013	001013	001013	001013	010069
14	• SEAL, MOTOR HOUSING	1		001014	001014	001014	001014	001014
15	• OIL, DIELECTRIC	1		003168	003168	003168	003168	011066
16	ADAPTER - MACH	1		001003	001003	001003	001003	001003
17	• SEAL, SHAFT	1		002430	002430	002430	002430	002430
18	IMPELLER ASSEMBLY "189" BRONZE	1		005201	005201	005201	005201	005201
	IMPELLER ASSEMBLY "189" CAST IRON			NA	NA	NA	NA	157834
19	FLANGE PKG 2" NPT	1		217024	217024	217024	217024	217024
	FLANGE PKG 3" NPT	1		317024	317024	317024	317024	317024
20	HOUSING, PUMP - MACH	1		004198	004198	004188	004188	004188
21	• SCREW, #6 - 32 X .25 RHM SL TC STLGR	1		001877	001877	001877	001877	001877
22	• SCREW, .25 - 20 X .75 HHM - SS	4		001916	001916	001916	001916	001916
23	• SCREW, .313 - 18 X 1" HH CAP - SS	4		002608	002608	002608	002608	002608
24	• SCREW, .5 - 13 X 2 HH CAP - SS	2		001909	001909	001909	001909	001909
25	• WASHER, SS - 1.25" OD X .562" ID X .078	2		002115	002115	002115	002115	002115
26	• SCREW, #10 - 24 X .375 RHM - SL SS	1		001883	001883	001883	001883	001883
27	STRAINER PLATE	1		137008	137008	137008	137008	137008
28	• SEM, 10 - 24 X .375 HH - SL TC .688 WASH	2		002000	002000	002000	002000	002000
29	• SCREW, .25 - 20 X 1 HHM - SS	4		007790	007790	007790	007790	007790
30	• NUT, 7/16 - 20 ACORN SS	1		004351	004351	004351	004351	004351
□	REBUILD KIT			014193	014193	014193	014193	019648

• Items included in Rebuild Kit.

□ Not shown in illustration.

NOTES:

- 1) Mtr. Hsg., Brg., Stator & Term. (Item 5) is preassembled at the factory and must be replaced as a unit. Stator is permanently attached to the Motor Housing. Plug (Item 10); Seal, Thru Wall Term. (Item 11) and Bearing - Upper (Item 6) are replaceable.
- 2) If an "X" follows Model No., or Date Mfg. on ID tag, consult factory for ordering of this part.
- 3) See FM0160 Parts Price Sheet for listing of parts prices.
- 4) "NA" indicates, not applicable.

REPLACEMENT PARTS LIST FOR MODELS "G189" & "BA189"

See back page for "G189" & "BA189" illustrations.

REF. NO.	DESCRIPTION	QTY	NOTES	MODELS: G189-B		G189-B		BA189-A	
				6/87 ST thru 5/08	6/08 thru Current			1/91 thru 5/08	6/08 thru Current
1	• HANDLE	1		217069	217069			217069	217069
2	COVER & CORD	1	2	002963	002963			002963	002963
3	COVER - MACH	1	2	001077	001077			001077	001077
4	• GASKET, CASE / COVER	1		001011	001011			001011	001011
5	HOUSING, MOTOR & STATOR	1	1	004578	019237			006288	019238
6	BEARING, SLEEVE	1		001012	NA			001012	NA
	BEARING, RADIAL			NA	006703		NA	006703	
7	CLAMP, STRAIN RELIEF	1	2	001770	001770			001770	001770
8	CORD, TERM & SEAL	1	2	005131	005131			005131	005131
9	• SEAL, CORD - ASSEMBLY & STRAIN RELIEF	1	2	011656	011656			011656	011656
10	• PLUG, TEST - WHITE	2		034090	034090			034090	034090
11	• SEAL THRU WALL TERM	3		003402	003402			003402	003402
12	ROTOR & BRG	1		004579	019226			004579	019226
13	• BEARING, RADIAL	1		001013	010069			001013	010069
14	• SEAL, MOTOR HOUSING	1		001014	001014			001014	001014
15	• OIL, DIELECTRIC	1		003168	011066			003168	011066
16	ADAPTER - MACH	1		001003	001003			001003	001003
17	• SEAL, SHAFT	1		002430	002430			002430	002430
18	IMPELLER ASSEMBLY "189" BRONZE	1		005201	005201			005201	005201
	IMPELLER ASSEMBLY "189" CAST IRON			NA	NA		NA	157834	
19	FLANGE PKG 2" NPT	1		217024	217024			217024	217024
	FLANGE PKG 3" NPT	1		317024	317024			317024	317024
20	HOUSING, PUMP - MACH	1		004188	004188			004188	004188
21	• SCREW, #6 - 32 X .25 RHM SL TC STLGR	1		001877	001877			001877	001877
22	• SCREW, .25 - 20 X .75 HHM - SS	4		001916	001916			001916	001916
23	• SCREW, .313 - 18 X 1" HH CAP - SS	4		002608	002608			002608	002608
24	• SCREW, .5 - 13 X 2 HH CAP - SS	2		001909	001909			001909	001909
25	• WASHER, SS - 1.25" OD X .562" ID X .078	2		002115	002115			002115	002115
26	• SCREW, #10 - 24 X .375 RHM - SL SS	1		001883	001883			001883	001883
27	STRAINER PLATE	1		137008	137008			137008	137008
28	• SEM, 10 - 24 X .375 HH - SL TC .688 WASHER	2		002000	002000			002000	002000
29	• SCREW, .25 - 20 X 1 HHM - SS	4		007790	007790			007790	007790
30	• NUT, 7/16 - 20 ACORN SS	1		004351	004351			004351	004351
□	REBUILD KIT			014193	019648			014193	019648

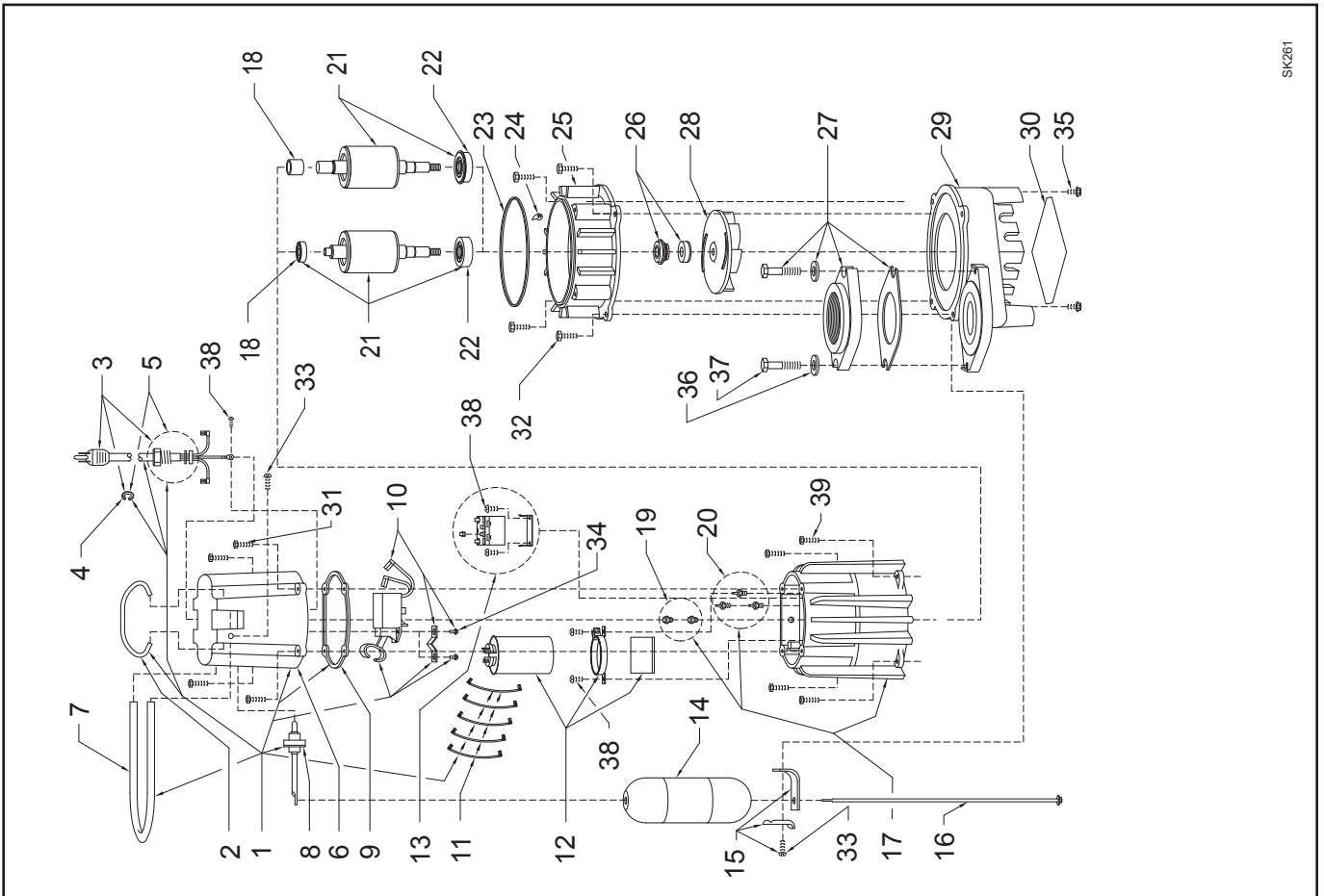
• Items included in Rebuild Kit.

□ Not shown in illustration.

NOTES:

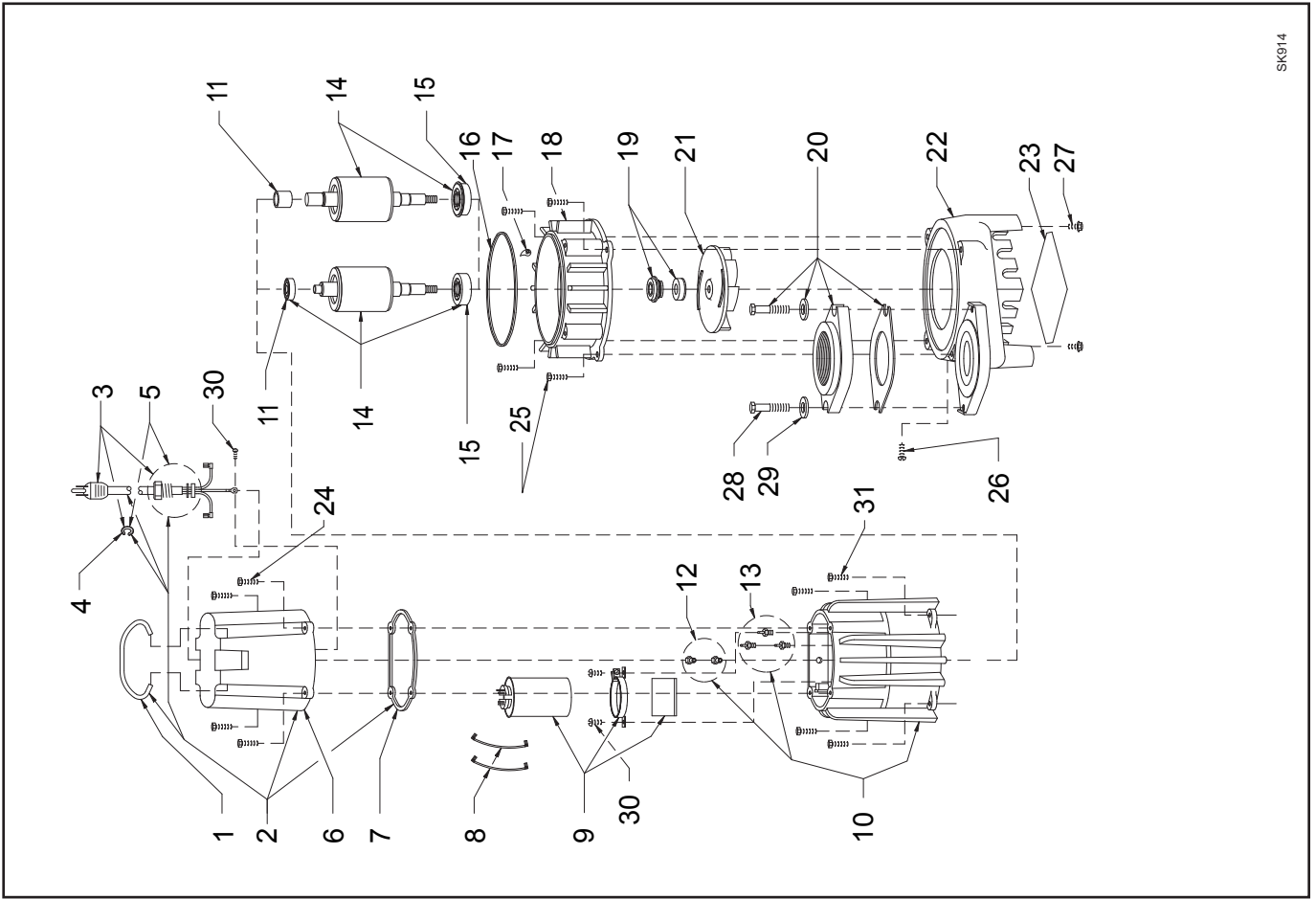
- 1) Mtr. Hsg., Brg., Stator & Term. (Item 5) is preassembled at the factory and must be replaced as a unit. Stator is permanently attached to the Motor Housing. Plug (Item 10); Seal, Thru Wall Term. (Item 11) and Bearing - Upper (Item 6) are replaceable.
- 2) If an "X" follows Model No., or Date Mfg. on ID tag, consult factory for ordering of this part.
- 3) See FM0160 Parts Price Sheet for listing of parts prices.
- 4) "NA" indicates, not applicable.

REPLACEMENT PARTS ILLUSTRATION FOR MODEL "H189"



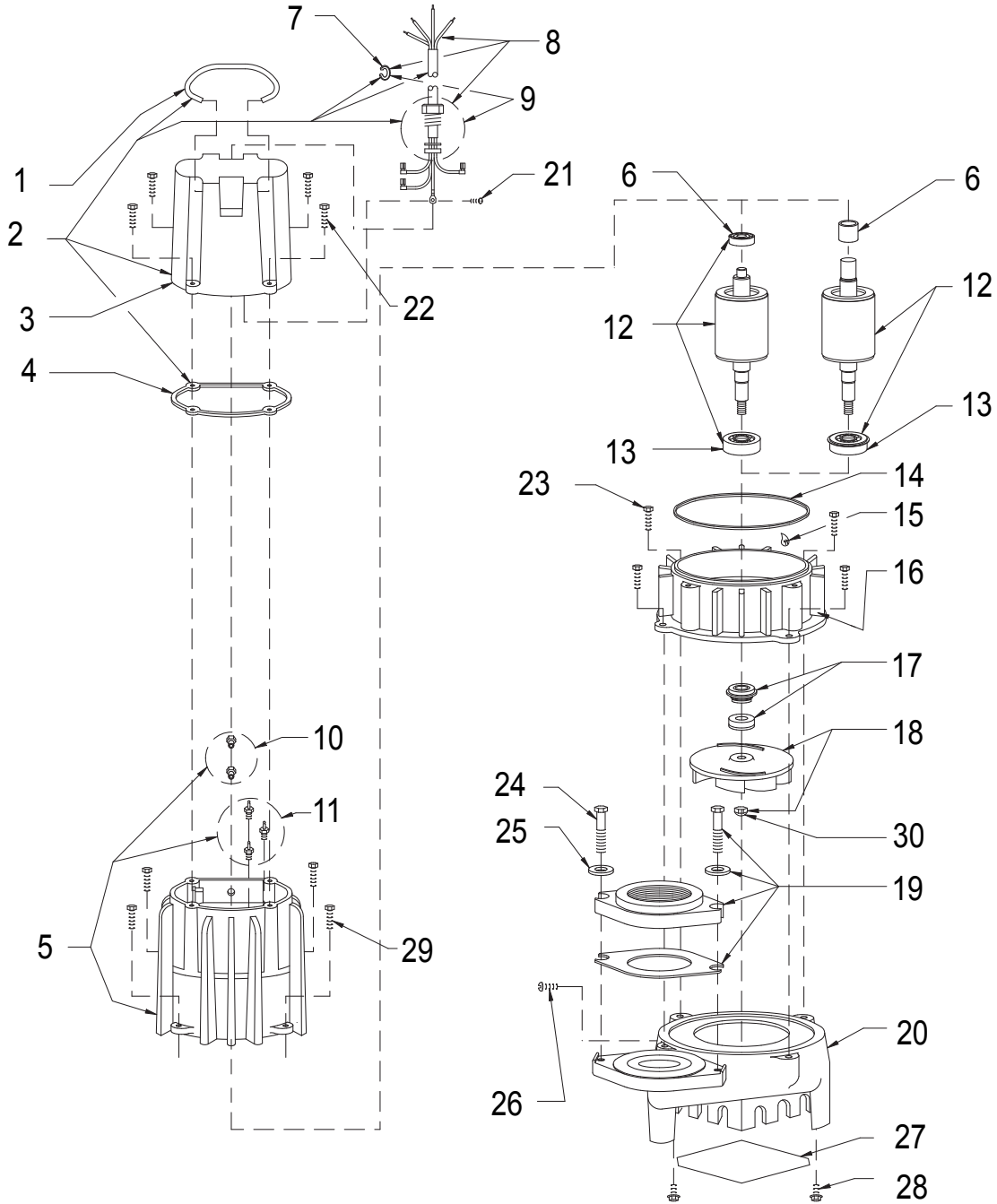
SK281

REPLACEMENT PARTS ILLUSTRATION FOR MODEL "1189"



SK914

REPLACEMENT PARTS ILLUSTRATION FOR MODELS "J", "F", "G" & "BA189"



SK1286



MAIL TO: P.O. BOX 16347 • Louisville, KY 40256-0347
 SHIP TO: 3649 Cane Run Road • Louisville, KY 40211-1961
 (502) 778-2731 • 1 (800) 928-PUMP • FAX (502) 774-3624

Trusted. Tested. Tough.®

Visit our website:
zoellerpumps.com