

Product information presented here reflects conditions at time of publication. Consult factory regarding discrepancies or inconsistencies.



MAIL TO: P.O. BOX 16347 • Louisville, KY 40256-0347  
SHIP TO: 3649 Cane Run Road • Louisville, KY 40211-1961  
TEL: (502) 778-2731 • 1 (800) 928-PUMP • FAX: (502) 774-3624

Visit our website:  
zoellerpumps.com

## REPLACEMENT PARTS LIST FOR MODELS:

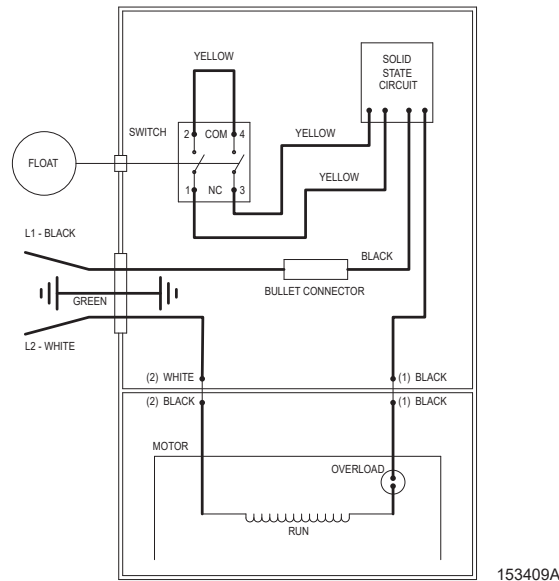
M63 AUTOMATIC 115V

Consult factory for all other models.

### TO ORDER REPLACEMENT PARTS:

PLEASE FURNISH THE FOLLOWING INFORMATION:

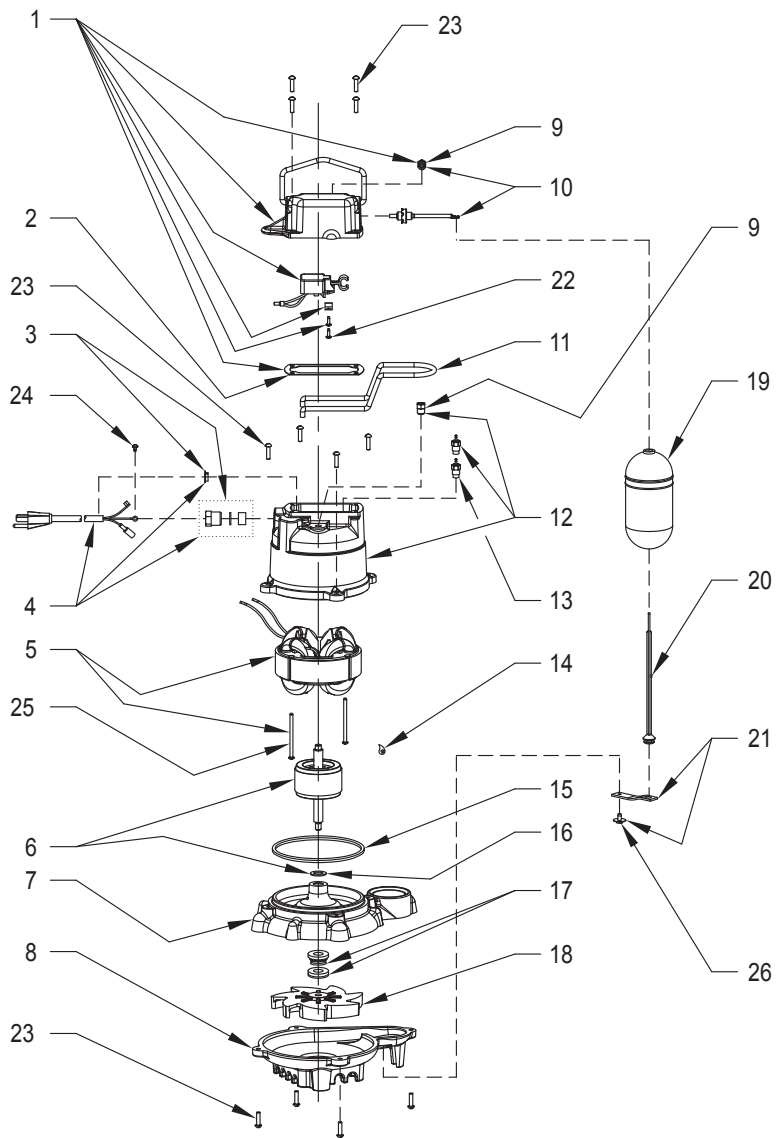
- Model number
- Part number of pump.
- Part number and description of part



153409A  
WIRING DIAGRAM FOR MODEL  
"M63"  
1/16 thru Current

# REPLACEMENT PARTS LIST AND ILLUSTRATION FOR MODEL "M63".

|         |   | MODELS: |       | M63-A             |
|---------|---|---------|-------|-------------------|
| REF NO. | DESCRIPTION   | QTY     | NOTES | 1/16 thru Current |
| 1       | CASE AND SWITCH ASSEMBLY  | 1       |       | 153860            |
| 2       | • GASKET, CASE/COVER  | 1       |       | 034046            |
| 3       | • CORD SEAL ASSEMBLY  | 1       |       | 153861            |
| 4       | CORD ASSEMBLY 15'   | 1       |       | 153862            |
|         | CORD ASSEMBLY 25'   |         |       | 156147            |
| 5       | STATOR AND SCREWS   | 1       |       | 007951            |
| 6       | ROTOR ASSEMBLY  | 1       |       | 054032            |
| 7       | PUMP HOUSING  | 1       |       | 057018            |
| 8       | BASE  | 1       |       | 057029            |
| 9       | • TEST PLUG - SILVER  | 2       |       | 153855            |
| 10      | • ARM AND SEAL ASSEMBLY   | 1       |       | 004704            |
| 11      | GUARD   | 1       |       | 004645            |
| 12      | MOTOR HOUSING ASSEMBLY  | 1       |       | 154433            |
| 13      | • THRU WALL TERMINAL SEALS  | 2       |       | 003402            |
| 14      | • DIELECTRIC OIL (19 OZ)  | 1       |       | 002588            |
| 15      | • MOTOR HOUSING SEAL  | 1       |       | 034007            |
| 16      | • ROTOR THRUST WASHER   | 1       |       | 002140            |
| 17      | • SHAFT SEAL ASSEMBLY   | 1       |       | 267027            |
| 18      | IMPELLER "57"   | 1       |       | 057010            |
| 19      | FLOAT   | 1       |       | 153338            |
| 20      | FLOAT ROD   | 1       |       | 153336            |
| 21      | FLOAT ROD GUIDE ASSEMBLY  | 1       |       | 034086            |
| 22      | • SCREW, #6-32 X 7/16 PAN HEAD PHILLIPS                           | 2       |       | 004644            |
| 23      | • SCREW, #10-24 X 3/4 ROUND HEAD SLOTTED SS                       | 12      |       | 001885            |
| 24      | • SCREW #6-32 X 1/4 ROUND HEAD SLOTTED GREEN SS                   | 1       |       | 001877            |
| 25      | • SCREW, STATOR 8-32 X 2-17/32                                    | 2       |       | 001914            |
| 26      | • SCREW, SEM FASTENER 10-24 X 3/8 SLOTTED HEX HEAD - 11/16 WASHER | 1       |       | 002000            |
| □       | REBUILD KIT "63" (1/15 THRU CURRENT)                              | 1       |       | 153865            |



• Items included in Rebuild Kit. □ Not Shown in Illustration.

SK3100

## NOTES:

- 1) See FM0160 Parts Price Sheet for listing of parts prices.
- 2) "NA" indicates, not applicable.
- 3) If an "X" follows Model No., or Date Mfg. on brass ID tag, consult factory for ordering any parts.



MAIL TO: P.O. BOX 16347 • Louisville, KY 40256-0347  
 SHIP TO: 3649 Cane Run Road • Louisville, KY 40211-1961  
 (502) 778-2731 • 1 (800) 928-PUMP • FAX (502) 774-3624

Trusted. Tested. Tough.®

Visit our website:  
[zoellerpumps.com](http://zoellerpumps.com)